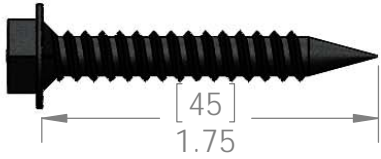




# Product & Packaging Specs

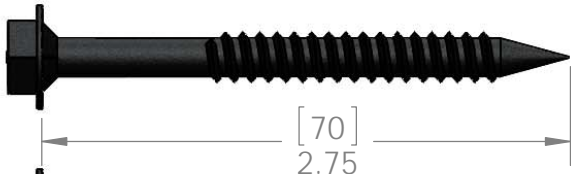
## OWT Timber Screw

OZCO BUILDING PRODUCTS



Screw, OWT 1-3/4"  
(45mm) Timber  
56625-10

[45]  
1.75



Screw, OWT 2-3/4"  
(70mm) Timber  
56626-10

[70]  
2.75



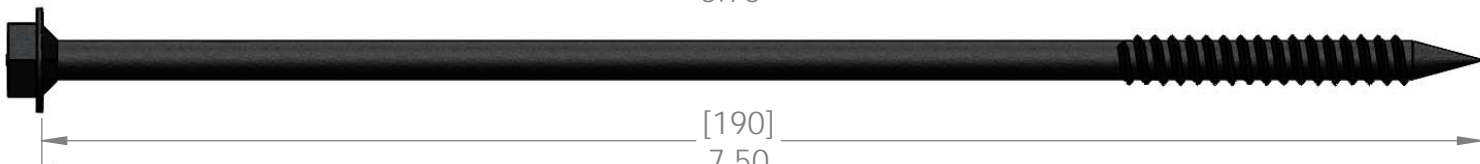
Screw, OWT 3-3/4"  
(95mm) Timber  
56627-10

[95]  
3.75



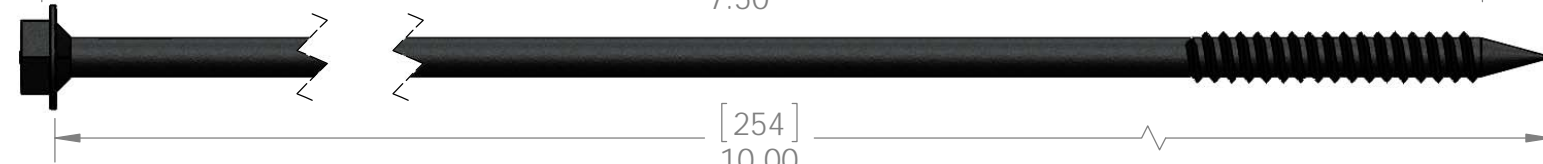
Screw, OWT 5-3/4"  
(145mm) Timber  
56628-10

[145]  
5.75



Screw, OWT 7-1/2"  
(190mm) Timber  
56629-10

[190]  
7.50



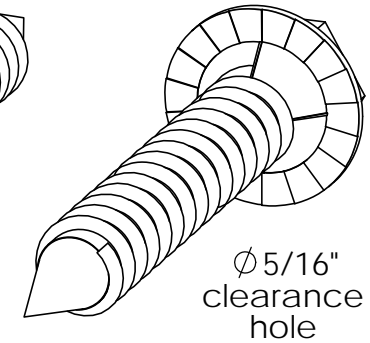
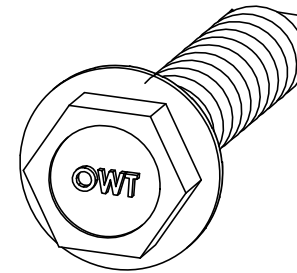
Screw, OWT 10"  
(254mm) Timber  
56647-10

[254]  
10.00



Screw, OWT 12"  
(304mm) Timber  
56648-10

[304]  
12.00



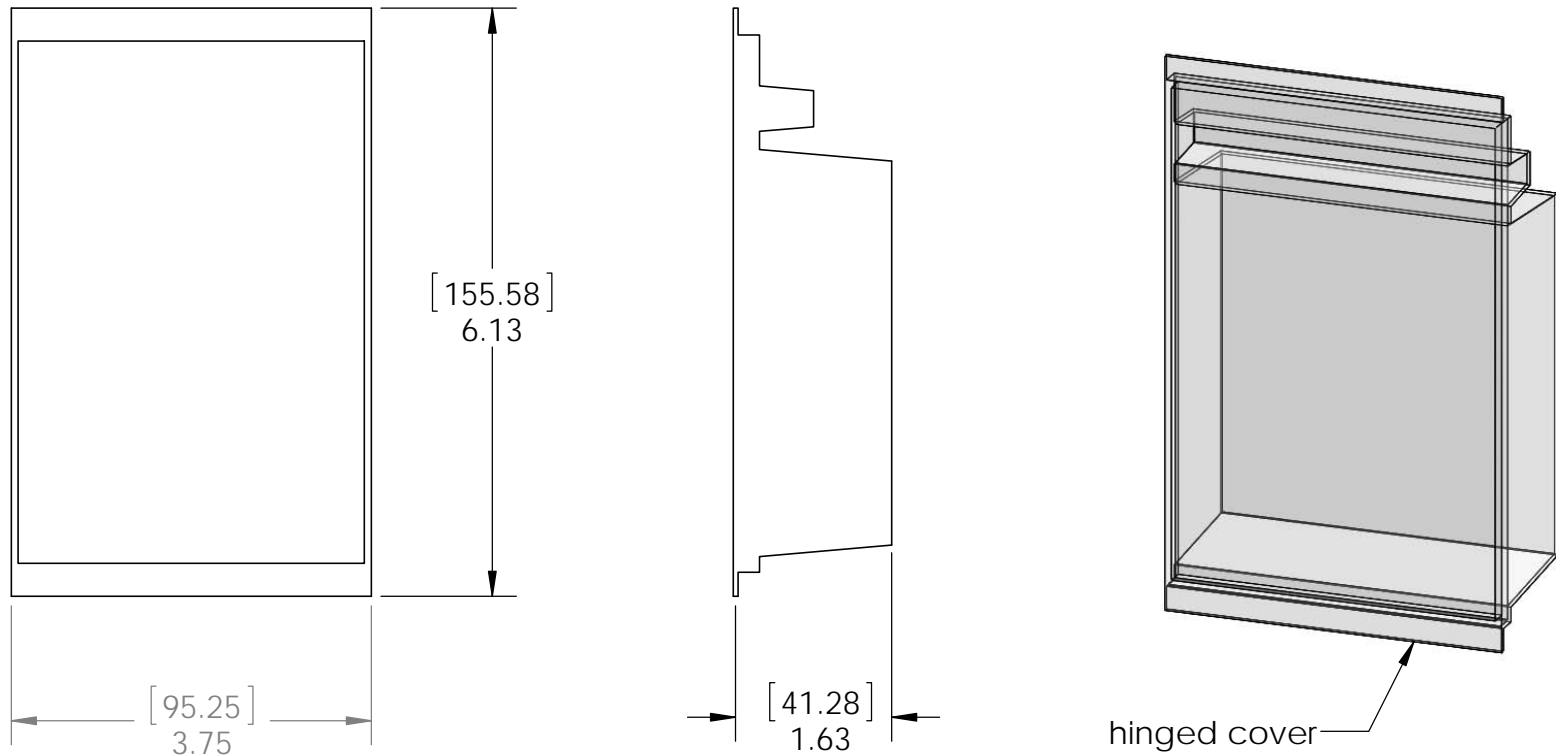
Ø5/16"  
clearance  
hole

Scale: 1:1  
Last updated: 7/13/2015  
OWT Timber Screw

# Product & Packaging Specs

## Box, OWT Timber Screw

Item #: Box, 56625-26-27



Material: ABS  
 Finish: Natural  
 Weight: 0.09 LBS  
 Scale: 1:2  
 Last updated: 7/13/2015

**OWT Timber Screw**

this box for 56625, 56626 & 56627

V1.00 - Installation Instructions effective May 1, 2015 and reflects information that available as of April 10, 2014. This information is updated periodically and should not be relied upon after May 1, 2015. Please visit [www.OZCOBP.com](http://www.OZCOBP.com) to get current information

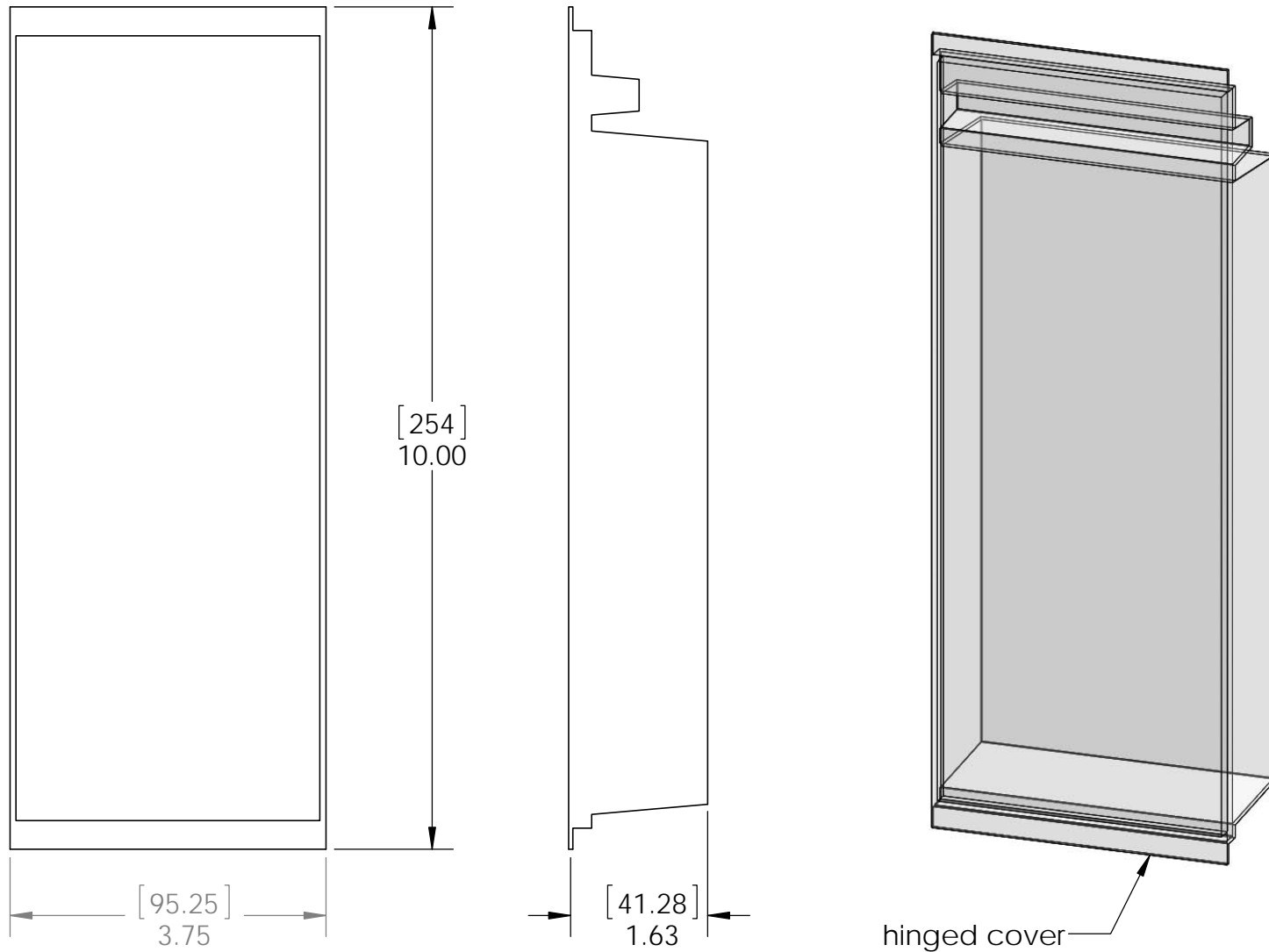


OZCO BUILDING PRODUCTS

# Product & Packaging Specs

## Box, OWT Timber Screw

Item #: Box, 56628-29



Material: ABS  
Finish: Natural  
Weight: 0.14 LBS  
Scale: 1:2  
Last updated: 7/13/2015

**OWT Timber Screw**

this box for 56628 & 56629

V1.00 - Installation Instructions effective May 1, 2015 and reflects information that available as of April 10, 2014. This information is updated periodically and should not be relied upon after May 1, 2015. Please visit [www.OZCOBP.com](http://www.OZCOBP.com) to get current information

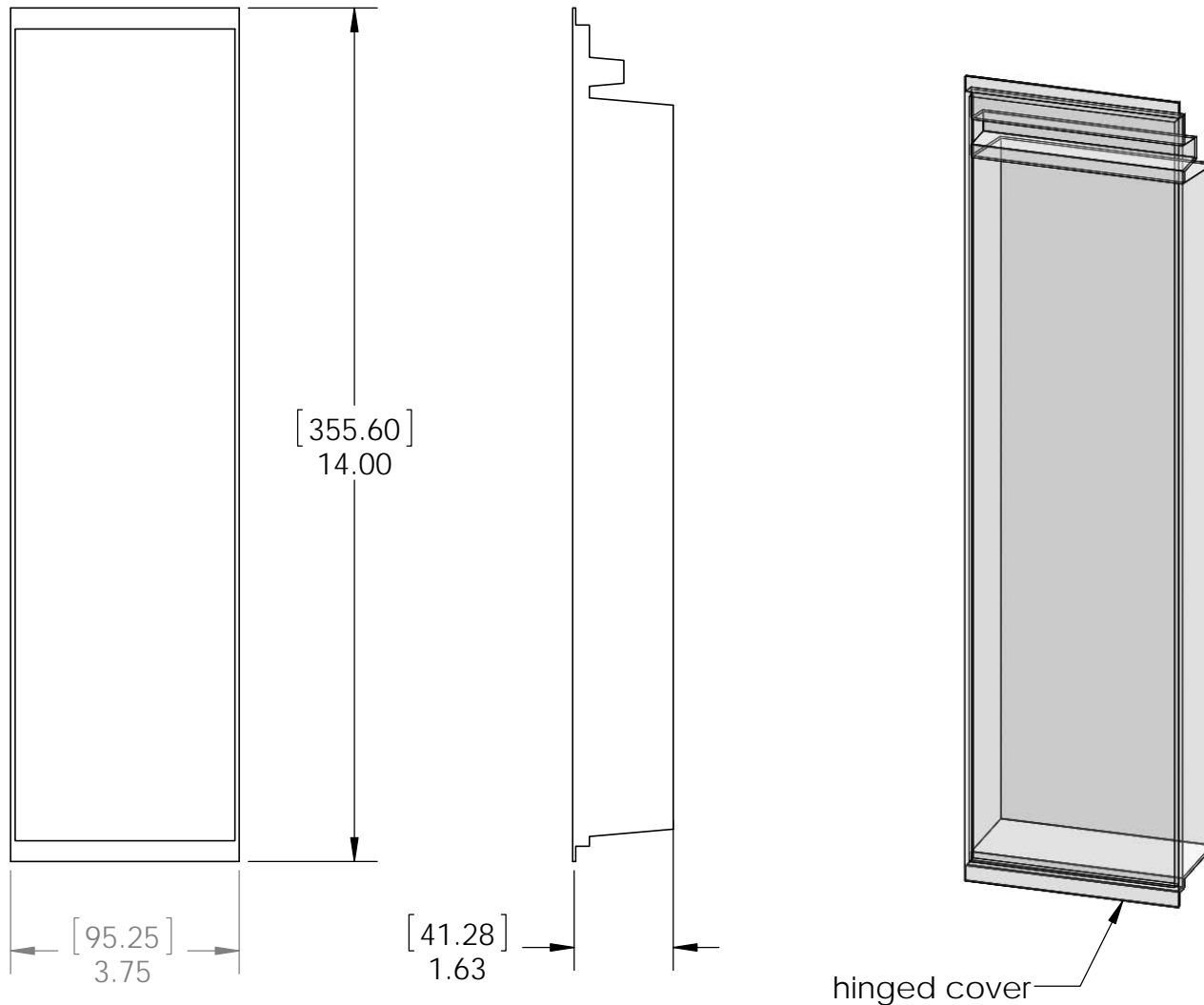


OZCO BUILDING PRODUCTS

# Product & Packaging Specs

## Box, OWT Timber Screw

Item #: Box, 56647-48



Material: ABS  
Finish: Natural  
Weight: 0.20 LBS  
Scale: 1:3  
Last updated: 7/13/2015

**OWT Timber Screw**

this box for 56647 & 56648

V1.00 - Installation Instructions effective May 1, 2015 and reflects information that available as of April 10, 2014. This information is updated periodically and should not be relied upon after May 1, 2015. Please visit [www.OZCOBP.com](http://www.OZCOBP.com) to get current information



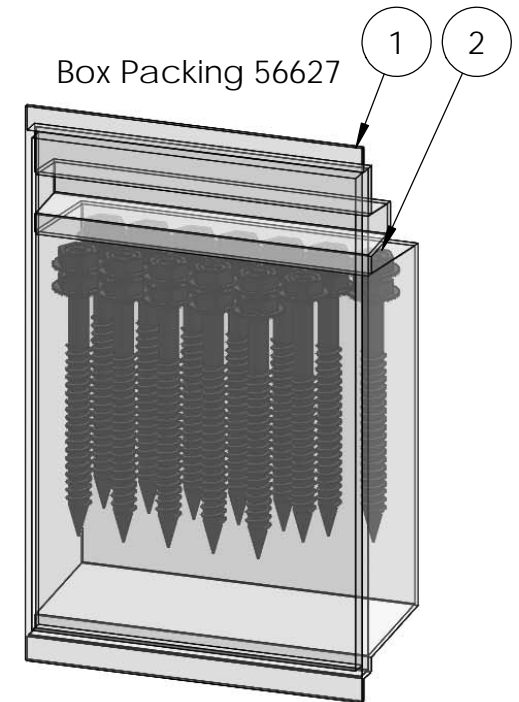
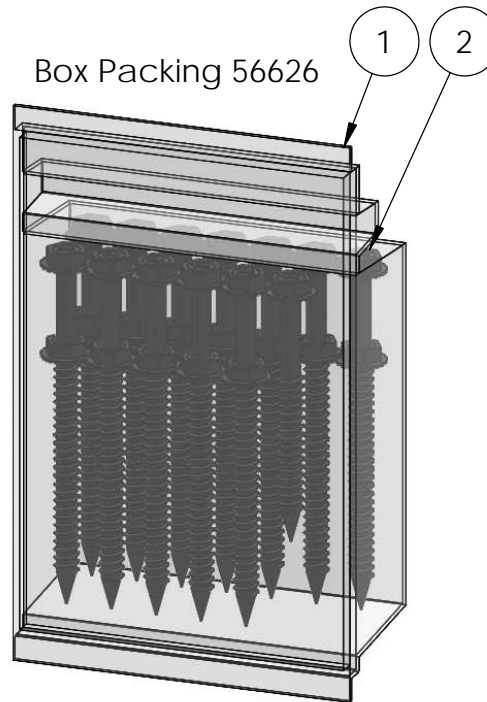
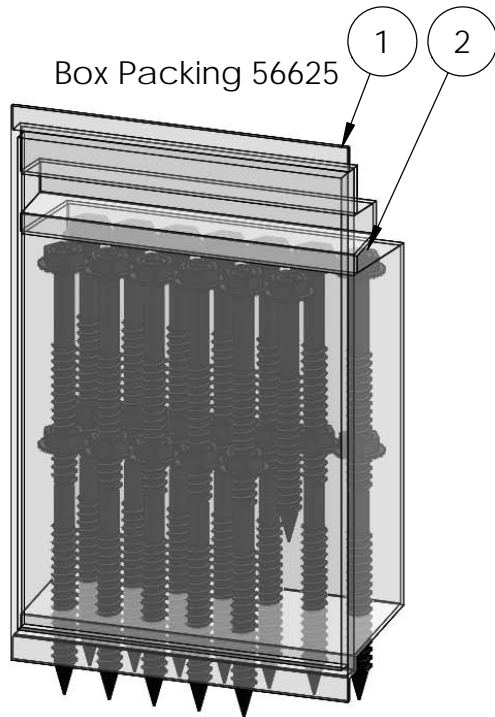
**OZCO** BUILDING PRODUCTS

# Product & Packaging Specs

## OWT Timber Screw

PART NUMBER	WEIGHT
56625	0.72 LBS
56626	0.90 LBS
56624	1.16 LBS

ITEM NO.	Box Packing 56625/QTY.	PART NUMBER	DESCRIPTION	ITEM NO.	Box Packing 56626/QTY.	PART NUMBER	DESCRIPTION	ITEM NO.	Box Packing 56627/QTY.	PART NUMBER	DESCRIPTION
1	1	Box, 56625-26-27	Box, OWT Timber Screw	1	1	Box, 56625-26-27	Box, OWT Timber Screw	1	1	Box, 56625-26-27	Box, OWT Timber Screw
2	1	56626	OWT Timber Screw 2-3/4"	2	1	56626	OWT Timber Screw 2-3/4"	2	1	56626	OWT Timber Screw 2-3/4"



Scale: 1:4  
 Last updated: 7/13/2015  
**OWT Timber Screw**

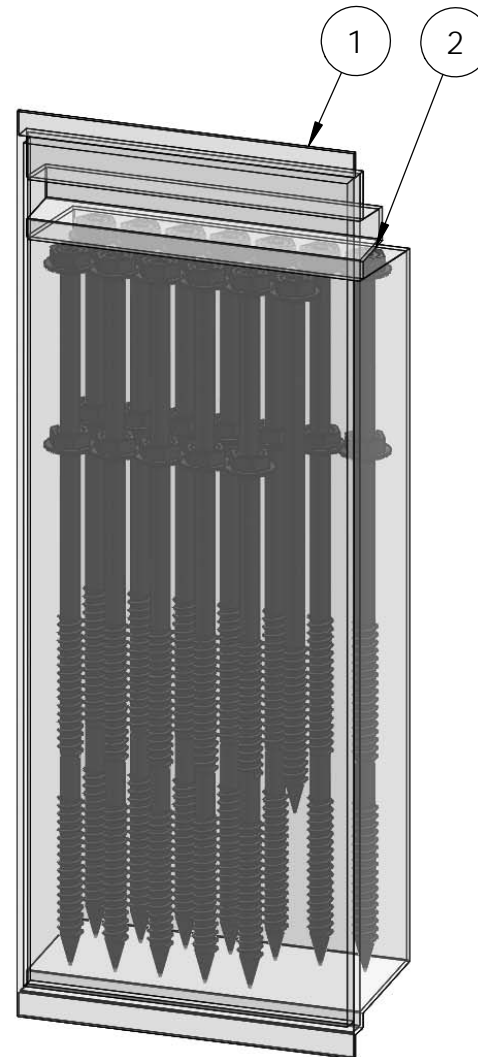
# Product & Packaging Specs

## OWT Timber Screw

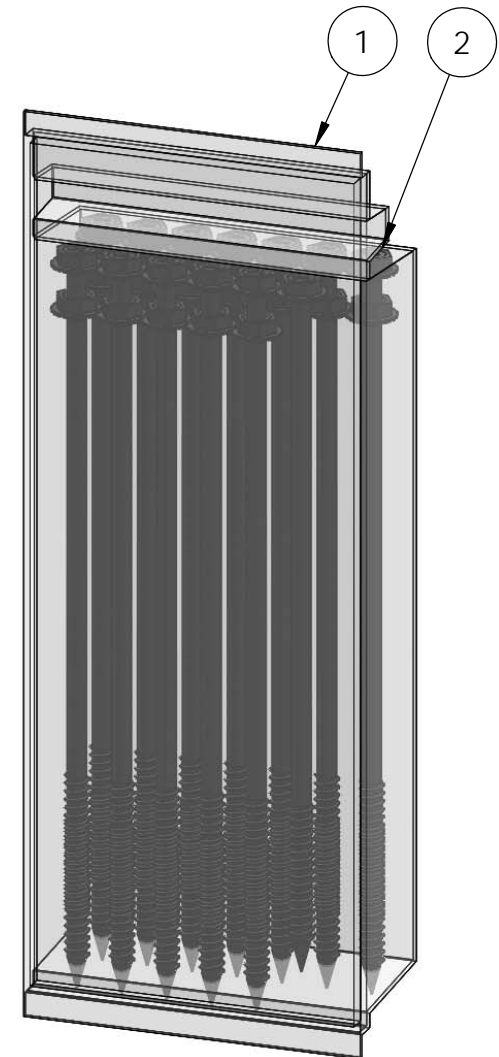
PART NUMBER	WEIGHT
56628	1.67 LBS
56629	2.11 LBS

ITEM NO.	Box Packing 56628/QTY.	PART NUMBER	DESCRIPTION
1	1	Box, 56628-29	Box, OWT Timber Screw
2	25	56628	Screw, OWT 5-3/4" (145mm) Timber

ITEM NO.	Box Packing 56629/QTY.	PART NUMBER	DESCRIPTION
1	1	Box, 56628-29	Box, OWT Timber Screw
2	1	56629	OWT Timber Screw 7-1/2"



Box Packing 56628



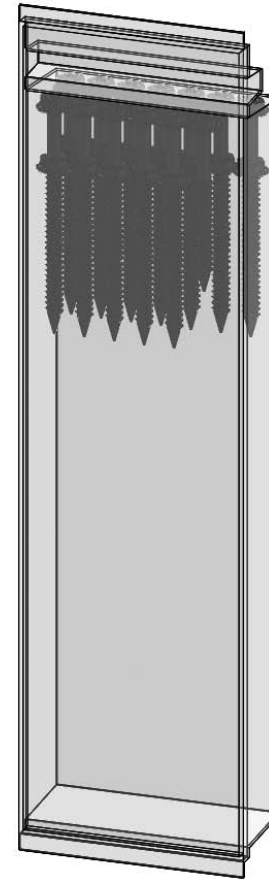
Box Packing 56629

Scale: 1:2  
 Last updated: 7/13/2015  
**OWT Timber Screw**

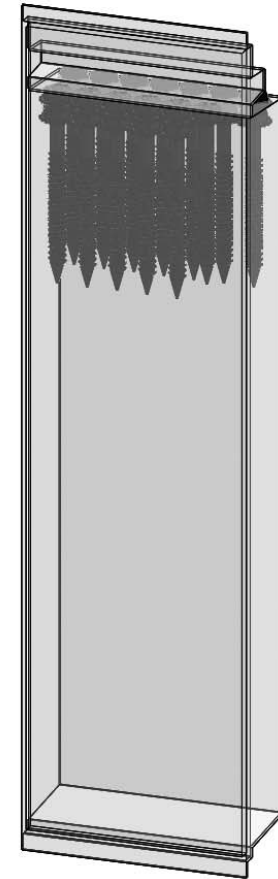
PART NUMBER	WEIGHT
56647	1.19 LBS
56648	1.36 LBS

ITEM NO.	Box Packing 56647/QTY.	PART NUMBER	DESCRIPTION
1	1	Box, 56647-48	Box, OWT Timber Screw
2	1	56626	OWT Timber Screw 2-3/4"

ITEM NO.	Box Packing 56648/QTY.	PART NUMBER	DESCRIPTION
1	1	Box, 56647-48	Box, OWT Timber Screw
2	1	56626	OWT Timber Screw 2-3/4"



Box Packing 56647

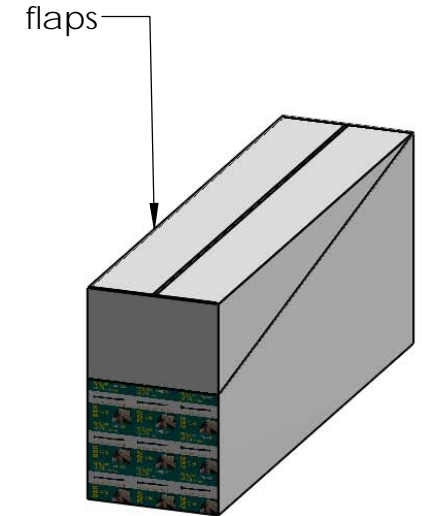
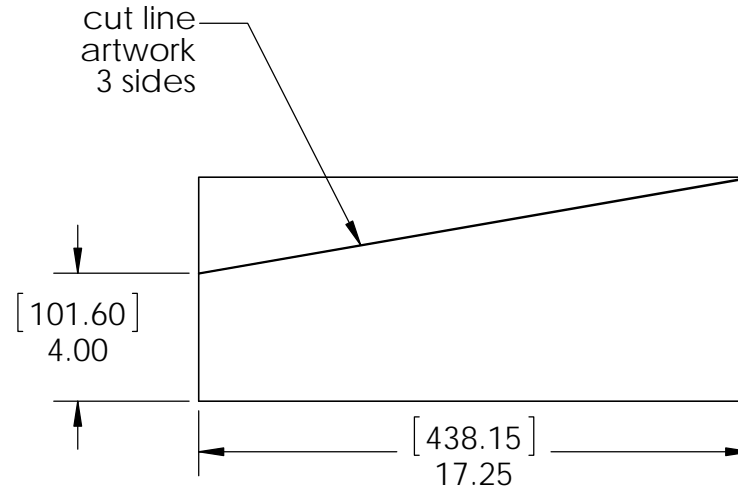
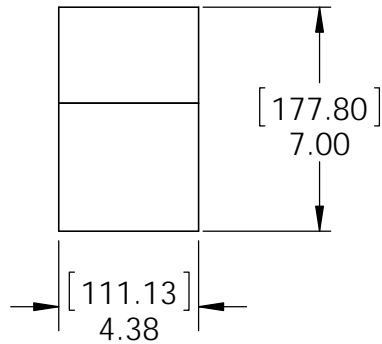


Box Packing 56648

# Product & Packaging Specs

## Screw Box Case

Item #: Box, 56625-26-28



Material: Corrugated Paper  
 Finish: See artwork  
 Weight: 0.32 LBS  
 Scale: 1:6  
 Last updated: 7/13/2015

**OWT Timber Screw**

this box for 56625, 56626 & 56627

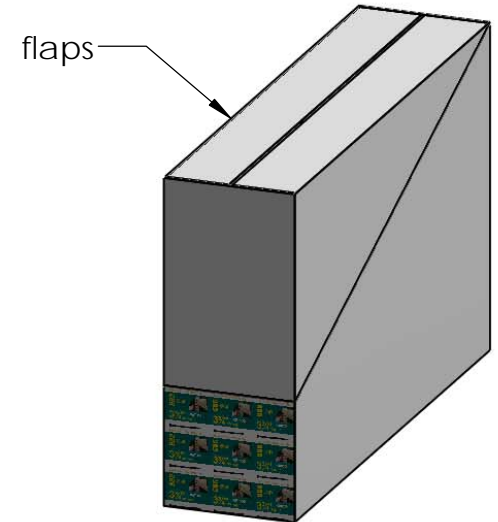
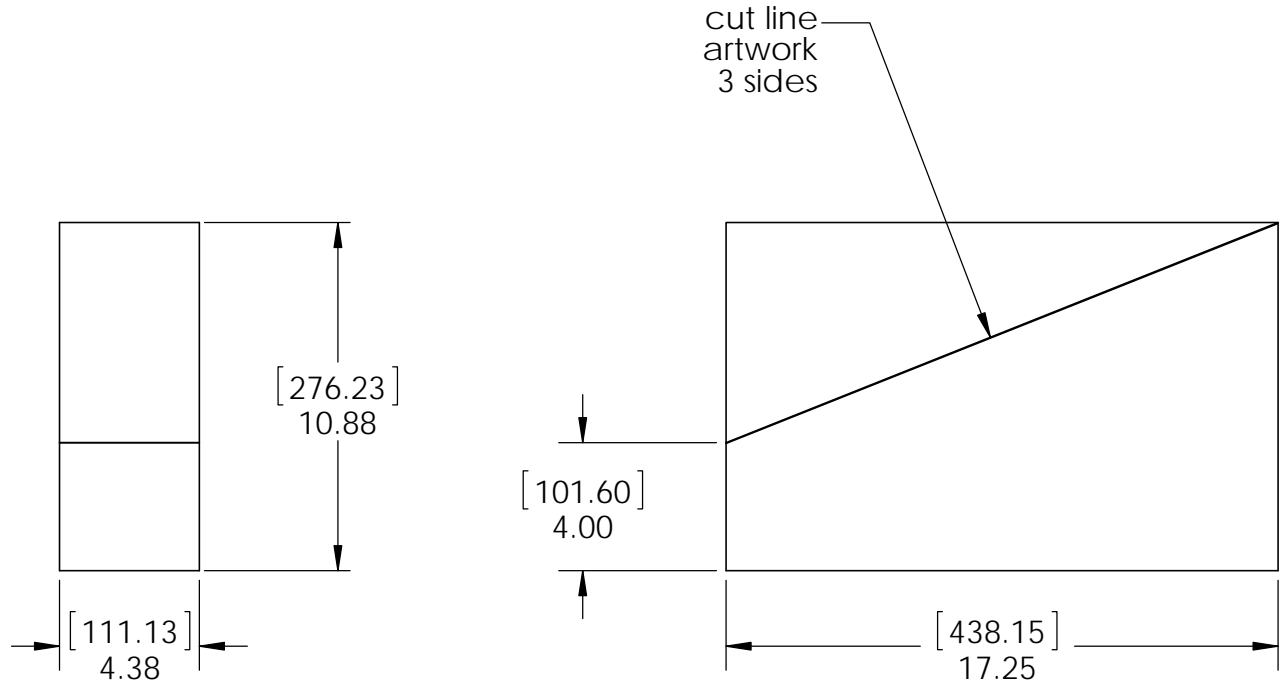
V1.00 - Installation Instructions effective May 1, 2015 and reflects information that available as of April 10, 2014. This information is updated periodically and should not be relied upon after May 1, 2015. Please visit [www.OZCOBP.com](http://www.OZCOBP.com) to get current information



# Product & Packaging Specs

## Screw Box Case

Item #: Box, 56628-29



Material: Corrugated Paper  
 Finish: See artwork  
 Weight: 0.32 LBS  
 Scale: 1:6  
 Last updated: 7/13/2015

**OWT Timber Screw**

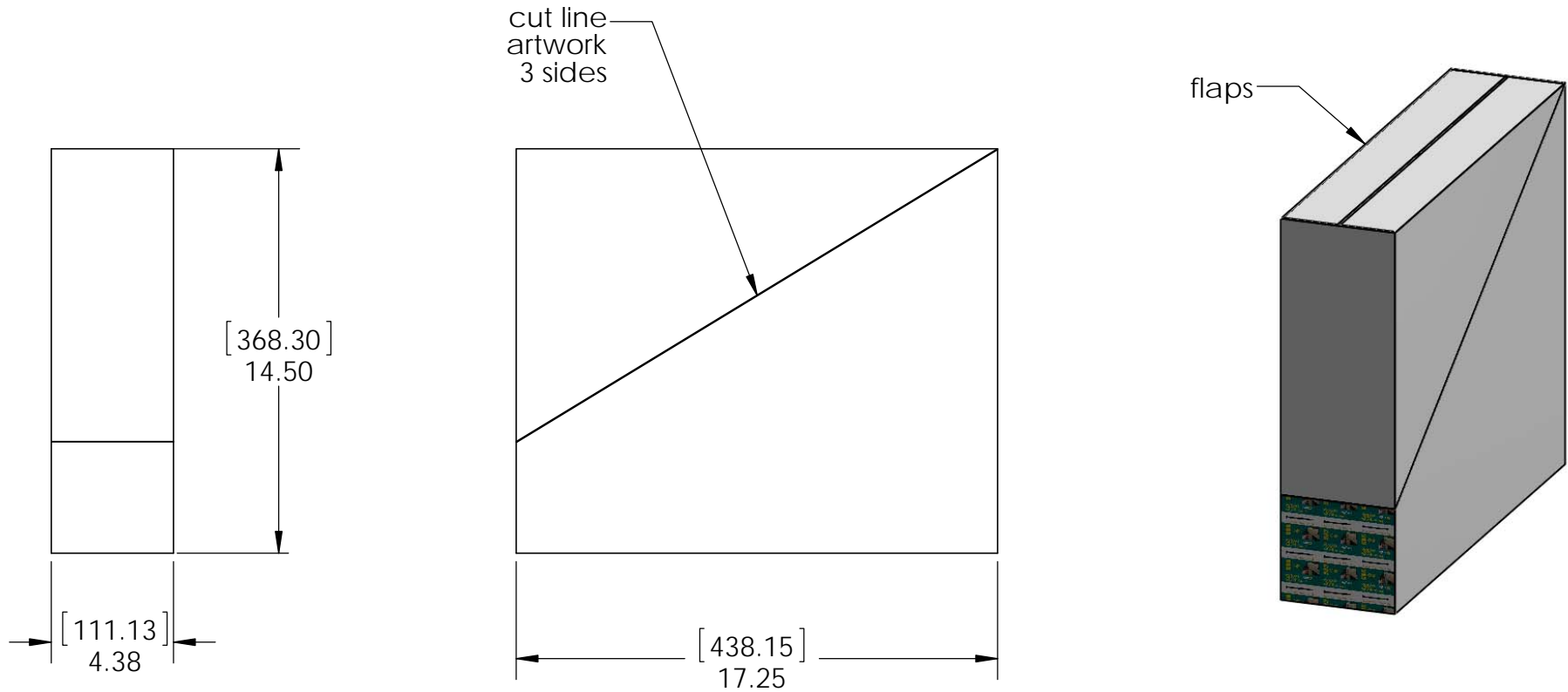
this box for 56628 & 56629

V1.00 - Installation Instructions effective May 1, 2015 and reflects information that available as of April 10, 2014. This information is updated periodically and should not be relied upon after May 1, 2015. Please visit [www.OZCOBP.com](http://www.OZCOBP.com) to get current information

# Product & Packaging Specs

## Screw Box Case

Item #: Box, 56647-48



Material: Corrugated Paper  
 Finish: See artwork  
 Weight: 0.32 LBS  
 Scale: 1:6  
 Last updated: 7/13/2015

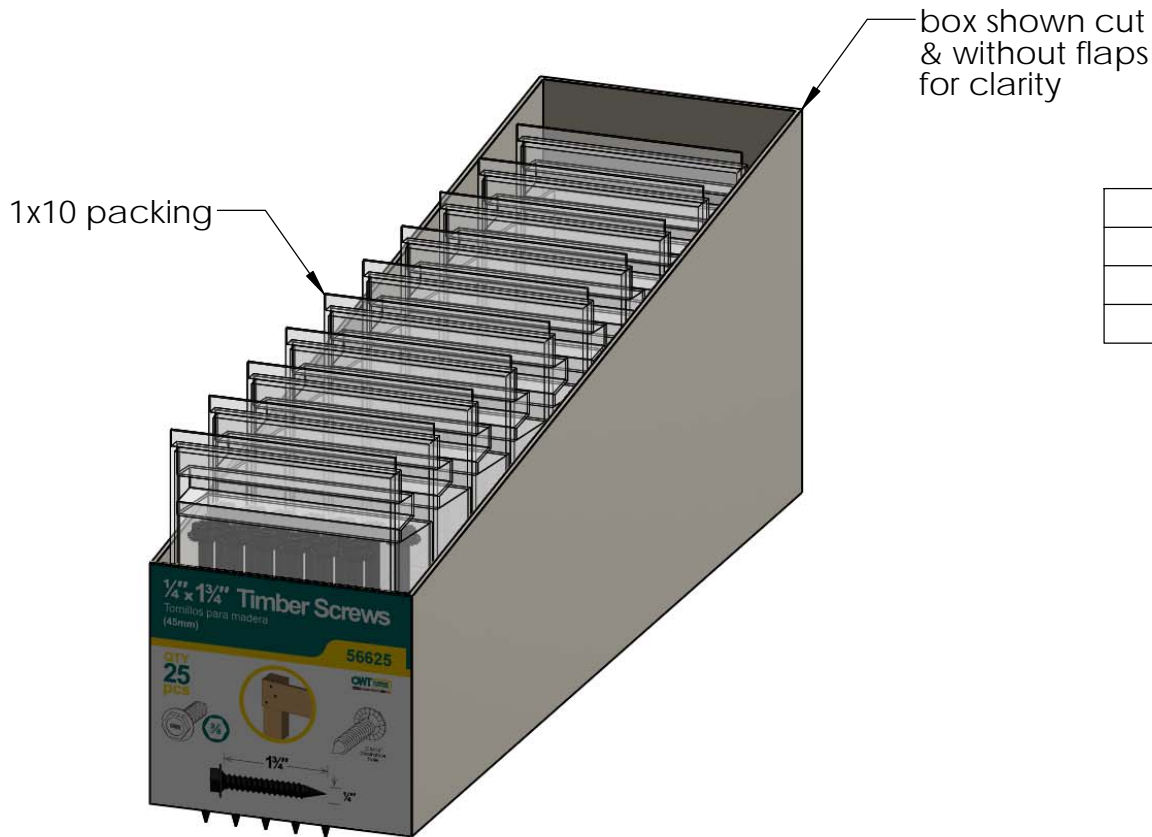
**OWT Timber Screw**

this box for 56647 & 56648

V1.00 - Installation Instructions effective May 1, 2015 and reflects information that available as of April 10, 2014. This information is updated periodically and should not be relied upon after May 1, 2015. Please visit [www.OZCOBP.com](http://www.OZCOBP.com) to get current information

# Product & Packaging Specs

## OWT Timber Screw



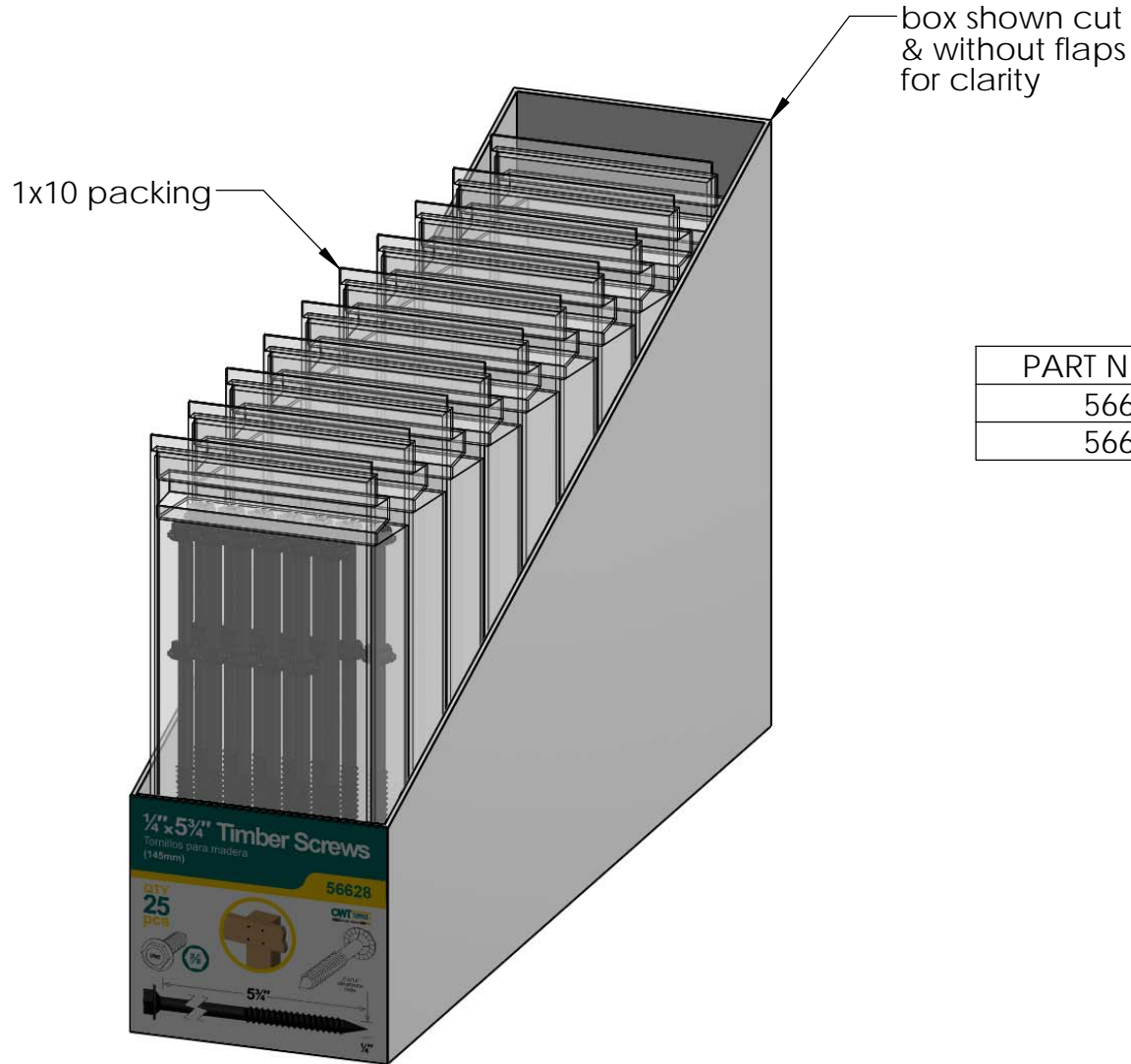
PART NUMBER	WEIGHT
56625	7.42 LBS
56626	9.72 LBS
56627	12.01 LBS

Scale: 1:2  
 Last updated: 7/13/2015  
**OWT Timber Screw**

56625 shown  
 same packing for 56625, 56626 & 56627

# Product & Packaging Specs

## OWT Timber Screw



box shown cut & without flaps for clarity

1x10 packing

PART NUMBER	WEIGHT
56628	12.67 LBS
56629	14.46 LBS

56628 shown  
 same packing for 56628 & 56629

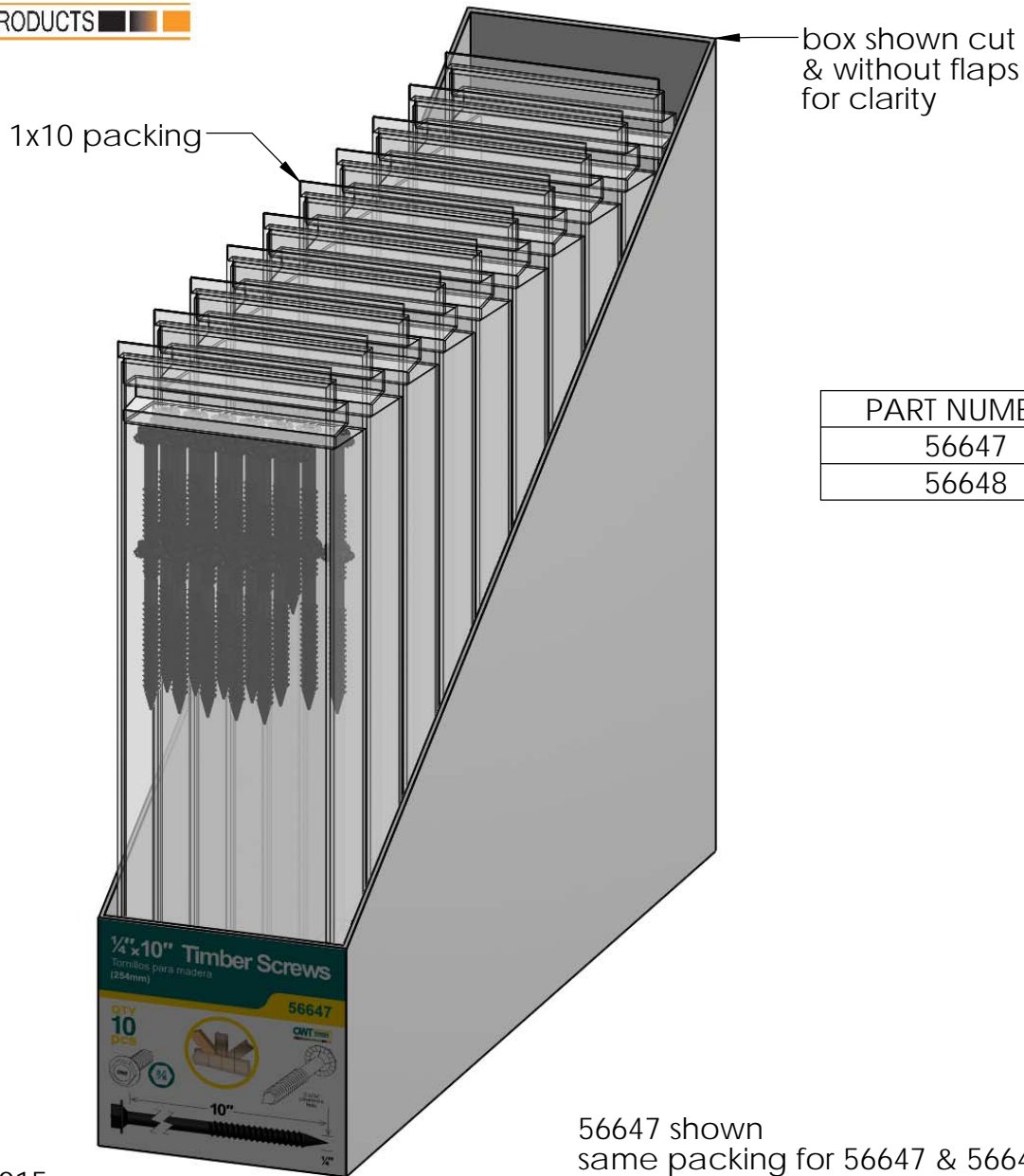
Scale: 1:3  
 Last updated: 7/13/2015  
**OWT Timber Screw**



OZCO BUILDING PRODUCTS

# Product & Packaging Specs

## OWT Timber Screw



PART NUMBER	WEIGHT
56647	17.43 LBS
56648	21.71 LBS

56647 shown  
same packing for 56647 & 56648

Scale: 1:3  
Last updated: 7/13/2015  
OWT Timber Screw



OZCO BUILDING PRODUCTS

# Product & Packaging Specs

56625-26-27 Packing

Item #: Pallet Packing

Item #: **56625** | **OWT175LB**

1 3/4" Timber Screws

**PALLET** | **400 pcs**

SKU#: **56825**



Weight: **323** lbs

LOT# \_\_\_\_\_ Priority# \_\_\_\_\_

Item #: **56626** | **OWT275LB**

2 3/4" Timber Screws

**PALLET** | **400 pcs**

SKU#: **56826**



Weight: **423** lbs

LOT# \_\_\_\_\_ Priority# \_\_\_\_\_

Item #: **56627** | **OWT375LB**

3 3/4" Timber Screws

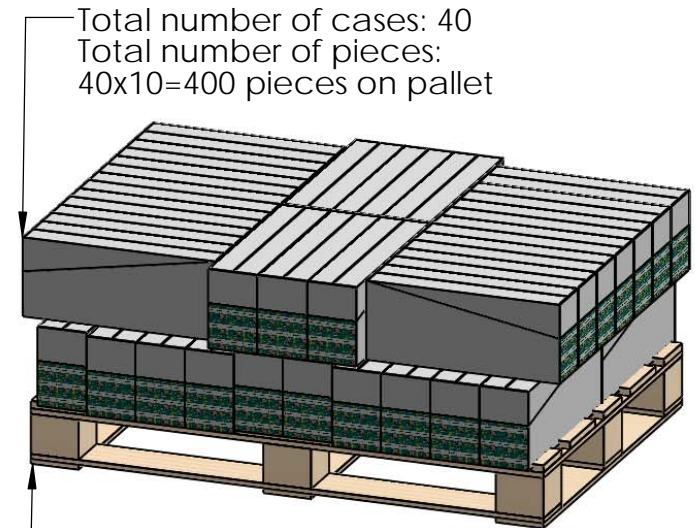
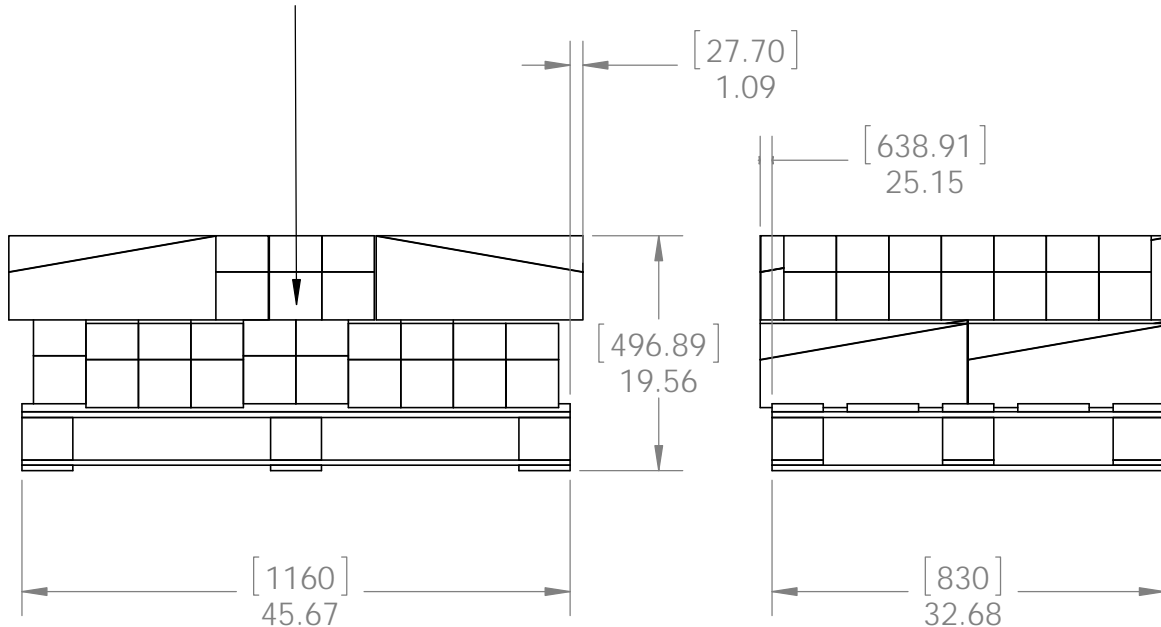
**PALLET** | **400 pcs**

SKU#: **56827**



Weight: **612** lbs

LOT# \_\_\_\_\_ Priority# \_\_\_\_\_



Total number of cases: 40  
Total number of pieces:  
40x10=400 pieces on pallet

C pallet

Weight: see label  
Scale: 1:2  
Last updated: 7/13/2015

OWT Timber Screw



additional pallet packing instructions

- plywood on top layer
- strap to pallet
- clear wrap around boxes

V1.00 - Installation Instructions effective May 1, 2015 and reflects information that available as of April 10, 2014. This information is updated periodically and should not be relied upon after May 1, 2015. Please visit [www.OZCOBP.com](http://www.OZCOBP.com) to get current information



OZCO BUILDING PRODUCTS

# Product & Packaging Specs

## 56628-29 Packing

Item #: Pallet Packing

Item #: **56628** | **OWT575LB**

5 3/4" Timber Screws

**PALLET** | **200 pcs**

SKU#: **56828**



30848160000549  
Made in China

Weight: **376** lbs

LOT# \_\_\_\_\_ Priority# \_\_\_\_\_

Item #: **56629** | **OWT750LB**

7 1/2" Timber Screws

**PALLET** | **200 pcs**

SKU#: **56829**

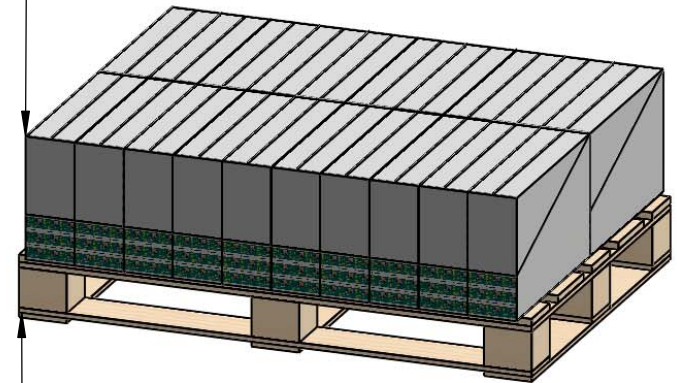


3054816600055E  
Made in China

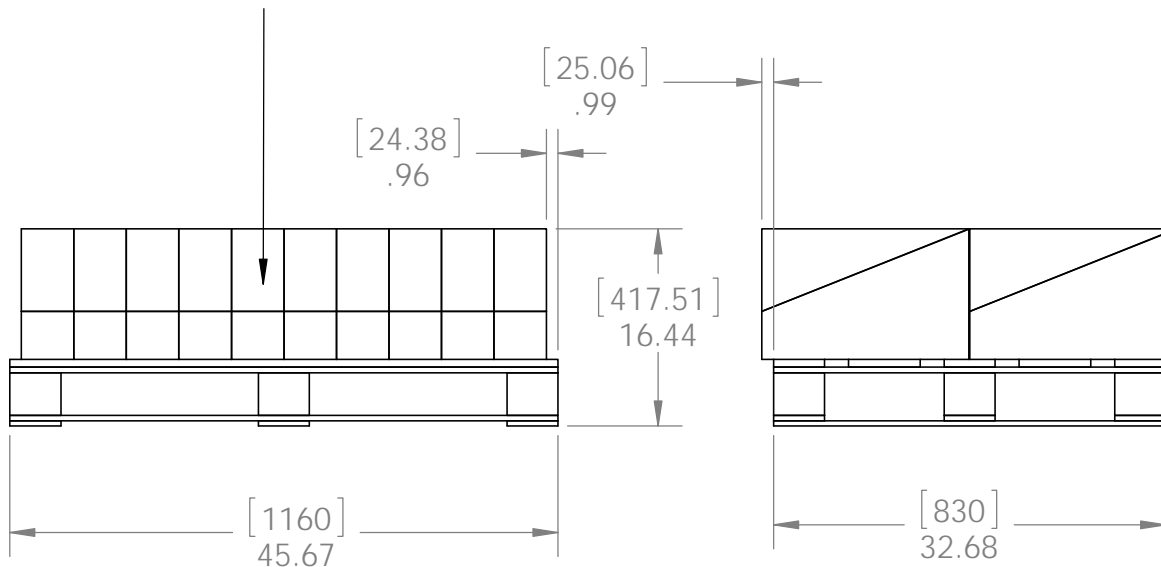
Weight: **462** lbs

LOT# \_\_\_\_\_ Priority# \_\_\_\_\_

Total number of cases: 20  
Total number of pieces:  
20x10=200 pieces on pallet



C pallet



additional pallet packing instructions

- plywood on top layer
- strap to pallet
- clear wrap around boxes

Weight: see label  
Scale: 1:2  
Last updated: 7/13/2015

OWT Timber Screw

V1.00 - Installation Instructions effective May 1, 2015 and reflects information that available as of April 10, 2014. This information is updated periodically and should not be relied upon after May 1, 2015. Please visit [www.OZCOBP.com](http://www.OZCOBP.com) to get current information



OZCO BUILDING PRODUCTS

# Product & Packaging Specs

56647-48 Packing

Item #: Pallet Packing

Item #: **56647** | **OWT10LB**

10" Timber Screw

**PALLET** | **200 pcs**

SKU#: **56847**



Weight: **279** lbs

LOT# \_\_\_\_\_ Priority# \_\_\_\_\_



Item #: **56648** | **OWT12LB**

12" Timber Screws

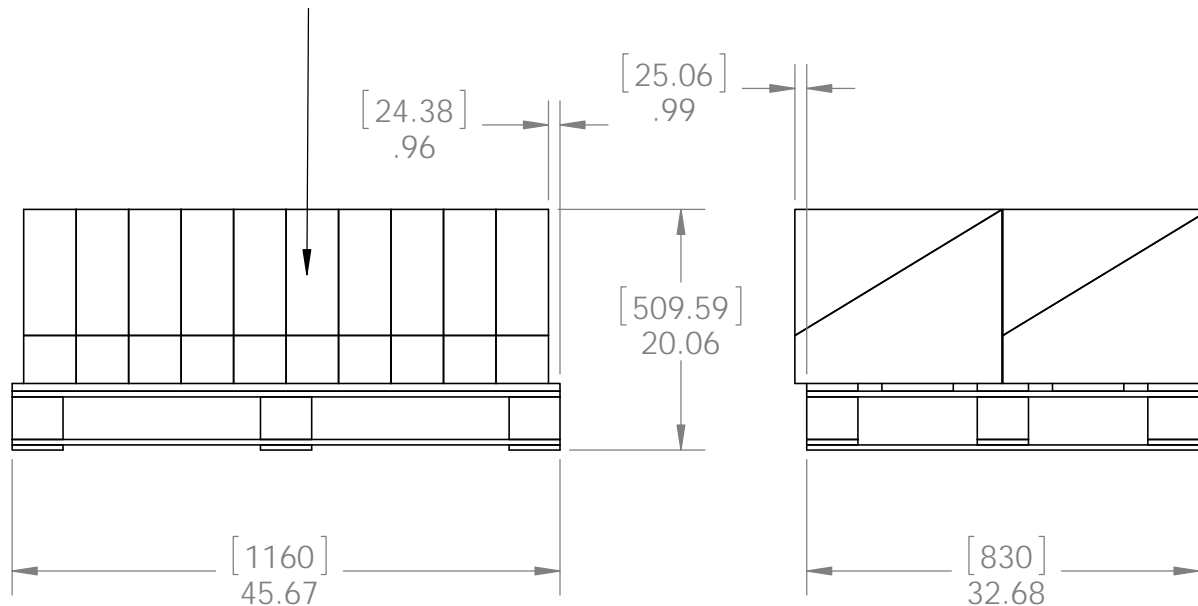
**PALLET** | **200 pcs**

SKU#: **56848**

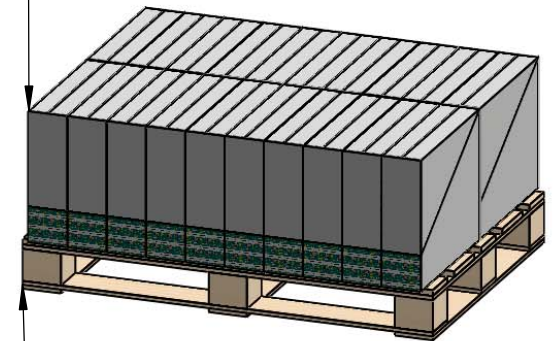


Weight: **320** lbs

LOT# \_\_\_\_\_ Priority# \_\_\_\_\_



Total number of cases: 20  
Total number of pieces:  
20x10=200 pieces on pallet



C pallet



additional pallet packing instructions

- plywood on top layer
- strap to pallet
- clear wrap around boxes

Weight: see label  
Scale: 1:16  
Last updated: 7/13/2015

OWT Timber Screw