

LOCINOX

Let's make it better together



PRODUCT CATALOG

▶ Discover our innovations on page 6 - 7



Gate Closers



Access Control



Gate Hardware

Better together,

By listening to the specific needs of gate manufacturers, our founder Joseph Talpe developed the first mechanical standard lock for outdoor gate use. More than 30 years later, our business still consists of listening to what is needed in the market and looking for ways to offer added value in a traditional sector. To come up with solutions, we have an extensive research & development team that consistently looks for innovative ways to aid our partners. This leads to dozens of new products each year.

This catalog is a summary of what we have to offer. In our gate hardware, you will find some of our long-lasting veterans, as this is the bread and butter we've been working on since the early 90s. Every gate needs the basics: locks, keeps, hinges and handles. We're confident you will find the hardware you need in our modular range.

About a decade after our first standard lock, we opened the door into the gate closer segment of our market. Based on a mechanical spring with a patented oil damping, our gate closer range now includes options to update older gates but also embed gate closers for new projects. The invisible Interio, built into the gate profile, is a fine example. We have developed new accessories to increase your mounting possibilities.

Without overlooking these basics, we now have a dedicated team in our R&D department for automation and electronics. After recent launches such as the battery powered code lock Valentino and the motorized electrical drop bolt Electradrop, we are proud to confirm that the Venus – which combines our growing knowledge in gate closers and automation – will be available in the course of 2023. The motorized gate operator is one of most important new features in this new catalog.

Our service doesn't end after delivering this catalog to you. Our sales and customer service teams are ready to answer any question or provide any additional product information you might need.

Let's make it better together,
The Locinox Team





Index

Concepts	4
Latest innovations	6
Gate closers	9
• Tiger	13
• Mammoth-180	14
• Mammoth-HD	15
• Interio	16
• Samson-2	18
• Panther	19
• Lion	20
• Rhino	21
• Verticlose-2	22
• Verticlose-2 Wall	23
• Caracal	24
• Serval	25
Automation & Electronics	27
• Venus	28
• Keypads	30
• Electromagnetic locks	32
• Electrical accessories	44
• Power supplies	47
Turnstiles	51
Locks	57
Keeps	95
Hinges	113
Drop bolts & Ground catchers	147
Gate catchers	157
Tools	161
Accessories	169
Marketing tools	203



Gate Closers



Access Control



Gate Hardware

Why Locinox



INNOVATION

A motivated team of engineers and prototypers work hard on a daily basis to further expand the Locinox range with new products.



WEATHERPROOF

With stainless steel and non-ferro metals as raw materials for its products, combined with the best surface treatment, our products maintain high standards and have a longer life cycle than cheaper alternatives.



INDUSTRIAL QUALITY

Locinox products are tested extensively by our R&D Department in the most extreme circumstances, up to a minimum of 500,000 movements before bringing it to the market.



EASE OF INSTALLATION

Our products guarantee fast installation and very solid fixation. Thanks to the special tools, the patented Quick-Fix and the Plug & Play design - installation happens in a blink of an eye.

LOC E SHOP

order when it suits you

We continue to invest in our services and have turned our Loc-E-Shop into our most popular internal sales colleague, working 24/7 and processing nearly 1,000 orders every month.

The Loc-E-Shop allows you to take full control of your orders at any time, wherever you are.



MODULARITY

The products in our range are designed for maximum interchangeability. A large number of combinations is possible to assure maximum flexibility according to your clients' needs. Even after installation, our products can be easily adjusted and/or replaced.



AT YOUR SERVICE

Our sales team is easy to reach and promptly replies by phone or e-mail in 7 supported languages. They will supply the correct product information and are happy to help you in choosing the right solution for the given situation.



CUSTOM ASSEMBLY & PACKAGING

The modularity of our products allows you to choose from many different configurations. Locinox will assemble every possible configuration upon request. Moreover, our logistics guarantee a shipment of our catalog products within 24h after your order.



5 YEARS OF PREMIUM WARRANTY

Enjoy 5 years of worry-free use on all our mechanical products. Go to locinox.com/warranty and activate your additional 2 years warranty to enjoy 5 years of peace of mind. Because we care.

Staying sustainable

The future of our society on planet Earth is a burning topic. In 2015 all United Nations member states agreed on the 2030 Agenda for Sustainable Development. Incorporated in this agenda are 17 Sustainable Development Goals (SDGs), which are an urgent call for action in a global partnership to end poverty, improve health and education, reduce inequality and spur economic growth while tackling climate change and preserving our planet. At Locinox, we actively contribute to 9 of the 17 goals.

For our efforts to balance all aspects of sustainability, we were awarded the Voka Charter Sustainable Business 2022, which is internationally linked to the United Nations Sustainable Development Goals.

Our specific initiatives include more than 200 trees on our new Locinox 4.0 site, several annual charity projects, workshops and new protocol for waste sorting and the implementation of WMS (Warehouse Management System) and MES (Manufacturing Execution System) for workflow optimization.



SDG 1.
NO POVERTY



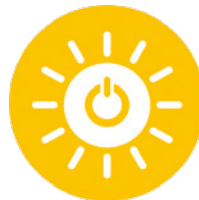
SDG 3.
GOOD HEALTH AND WELL-BEING



SDG 4.
QUALITY EDUCATION



SDG 5.
GENDER EQUALITY



SDG 7.
AFFORDABLE AND CLEAN ENERGY



SDG 8.
DECENT WORK AND ECONOMIC GROWTH



SDG 9.
INDUSTRY, INNOVATION, AND INFRASTRUCTURE



SDG 12.
RESPONSIBLE CONSUMPTION AND PRODUCTION



SDG 15.
LIFE ON LAND

In need of training?

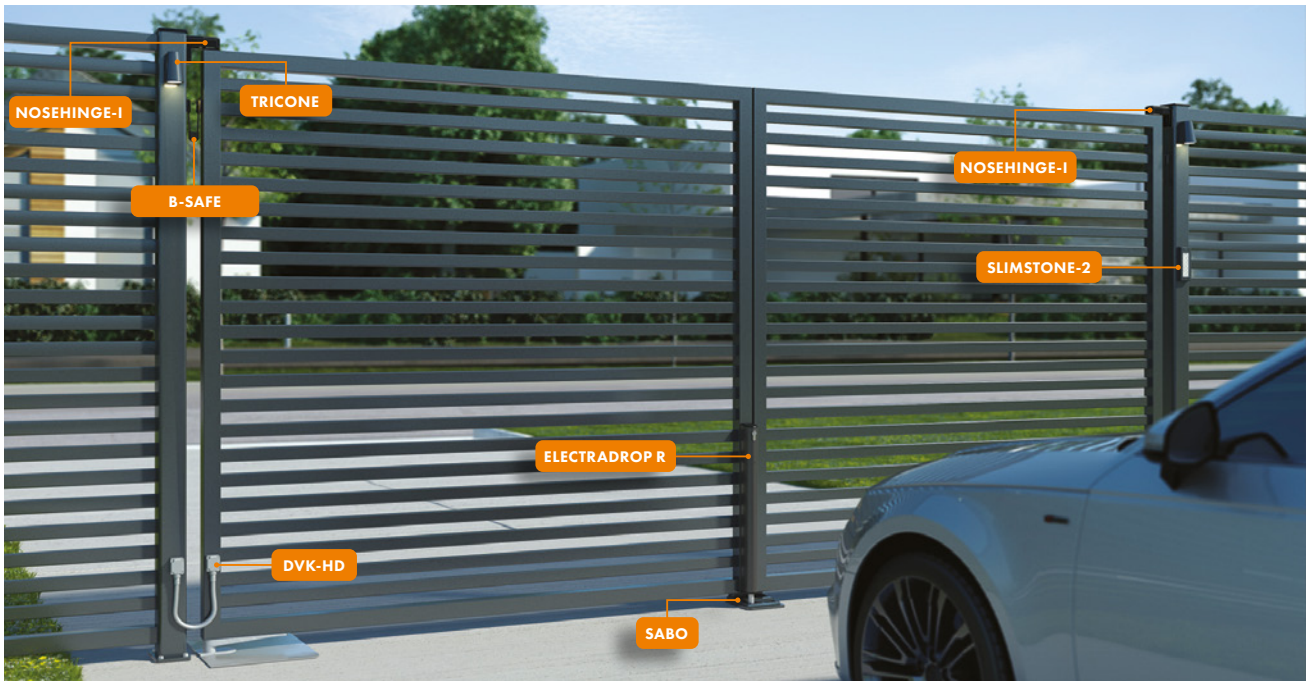
Now that you are up to date with our continuously growing range of products, we would like to remind you that our service doesn't end at solely informing you. We are here to help you all the way.

Do you want to see our UNIWINING possibilities in real life, learn how to program VALENTINO, get a preview of VENUS or does your knowledge need refreshing?

We have plenty of options to provide hands-on training. Our experts are more than happy to visit your company or welcome you to ours. Just get in touch and we will see you soon!



Concepts



RESIDENTIAL

ELECTRADROP R Motorized electrical drop bolt with integrated emergency batteries (p.149) | **TRICONE** Design led lighting for gates (IP54) (p.45)
SLIMSTONE-2 Sturdy, weather resistant keypad (IP68) (p.31) | **B-SAFE** Stainless steel safety cable for gates up to 1,100lbs (p.198)
NOSEHINGE-I Compact, 2-way 90° hinge interchangeable with Interio gate closer (p.137) | **SABO** Bolt-on off-centered ground stop (p.154)
DVK-HD Guiding cable (p.46)



SECURITY

VERTICLOSE-2 (p.22)
 Powerful all-round hydraulic gate closer for 90° and 180° hinges

SLIMSTONE-2 (p.31)
 Sturdy, frost-free and weather resistant keypad with 2 integrated relays

B-SAFE (p.198)
 Stainless steel safety cable for gates up to 1,100lbs

B-MAG (p.33)
 Integrated magnet lock for swing gates

N-LINE B-MAG (p.35)
 Aluminum finishing profile for swing gates to combine with magunit

GBMU4D20 (p.120)
 4-way adjustable 180° hinge

3006PULL (p.174)
 Aluminum powder coated handle set



SCHOOL

PANICBAR (p.176)
Panicbar set

MAMMOTH 180° (p.14)
Hydraulic 180° gate closer and hinge in one

DINO (p.136)
180° double bearing hinge

TRICONE (p.45)
Design led lighting for gates (IP54)

B-SAFE (p.198)
Stainless steel safety cable for gates up to 1,100lbs



GARDEN

VALENTINO (p.65)
Surface mounted battery powered code lock

SAKL (p.99)
Adjustable keep out of stainless steel

EXCENTRO (p.115)
180° hinge set for ascending slopes

RHINO (p.21)
Aesthetical 180° gate closer with direct connection to the hinge

B-SAFE (p.198)
Stainless steel safety cable for gates up to 1,100lbs

Latest innovations



VENUS (Coming soon)

Motorized gate closer for pedestrian swing gates.

Discover more on p. 28



ELECTRADROP-R

Motorized electrical drop bolt with integrated emergency batteries.

Discover more on p. 149



BAR - A / I (New)

Fixed handle with straight or angled mounting brackets. Can be used single or double sided.

Discover more on p. 173

“Smart solutions, better fences”

Protecting what matters. Everyone wants to be safe, right? At home, on their job, at school, out when sporting, etc... Locinox provides that degree of security and comfort. As a Belgium based trendsetter, manufacturer and reputed market leader, we take care of your peace of mind.

Thanks to continuous innovation, thorough quality checks and efficient installation methods, Locinox is the right partner for your gate and fencing projects. Every product is designed and engineered with eye for detail, extreme weatherproofness and added value. All to guarantee an improved durability and lots of modularity and flexibility. Our products are determined to be your partner for the long run and ensure your project to stand out, for a very long time.

With every innovation we're launching; quality, durability and user friendliness are key. We rely on the best components for the best possible solutions. Our test results don't lie - Locinox products stand the test of time!



CARACAL (New)

Hydraulic 180° gate closer and hinge.

Discover more on p. 24



SFKU

Insert keep for installation in lock pattern.

Discover more on p. 108



PANICBAR (Coming soon)

Complete set to add a rim style emergency exit device to any gate.

Discover more on p. 176



VALENTINO (Coming soon)

Surface mounted battery powered electronic code lock.

Discover more on p. 65





GATE CLOSERS

Hydraulic gate closers will transform any gate into a self-closing solution. Comfort, safety and peace of mind are guaranteed thanks to pure hydraulic power. High quality components ensure Locinox closers to be 100% weatherproof, maintenance-free and extremely durable. A constant and consistent functioning is guaranteed during an ice cold winter or a sweltering summer. The unique concept ensures an easy and efficient fixation thanks to the patented Quick-Fix system. Moreover, closing speed and final snap can be adjusted very precisely and 100% to your customers' wishes.

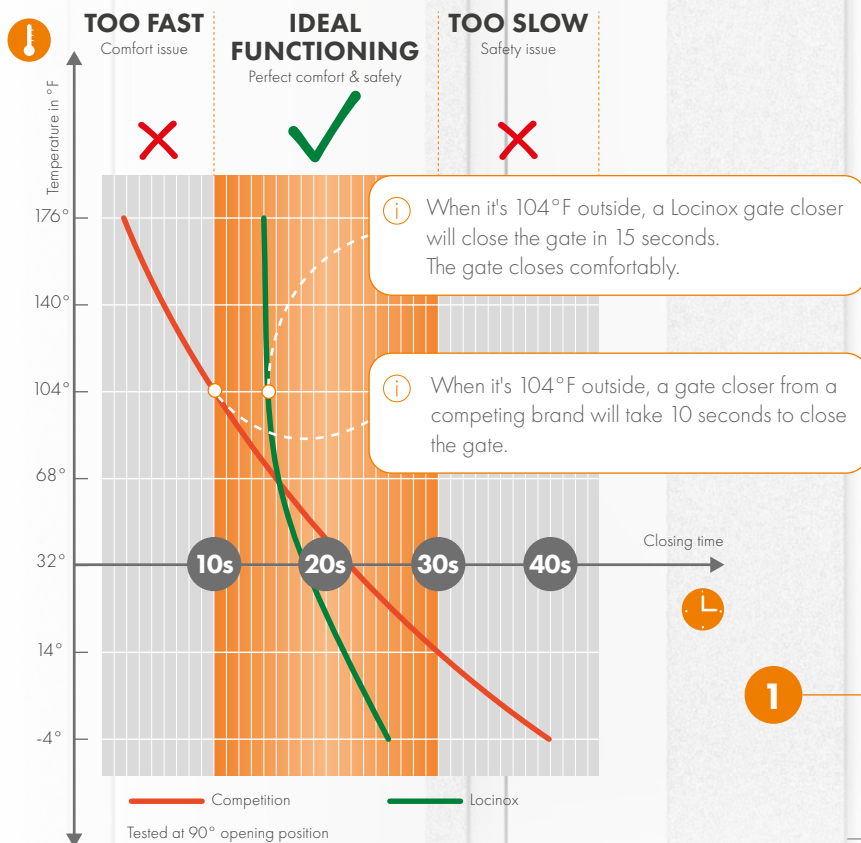


Cutting edge self-closing technology

1 A CONSISTENT CLOSING SPEED FROM FREEZING WINTER TO SIZZLING SUMMER

If your gate closes too slow, children or pets could sneak through. If your gate closes too fast, it might become a problem for wheelchair users. A loud slamming gate is not only annoying for you or your neighbors, it's also harmful for your gate.

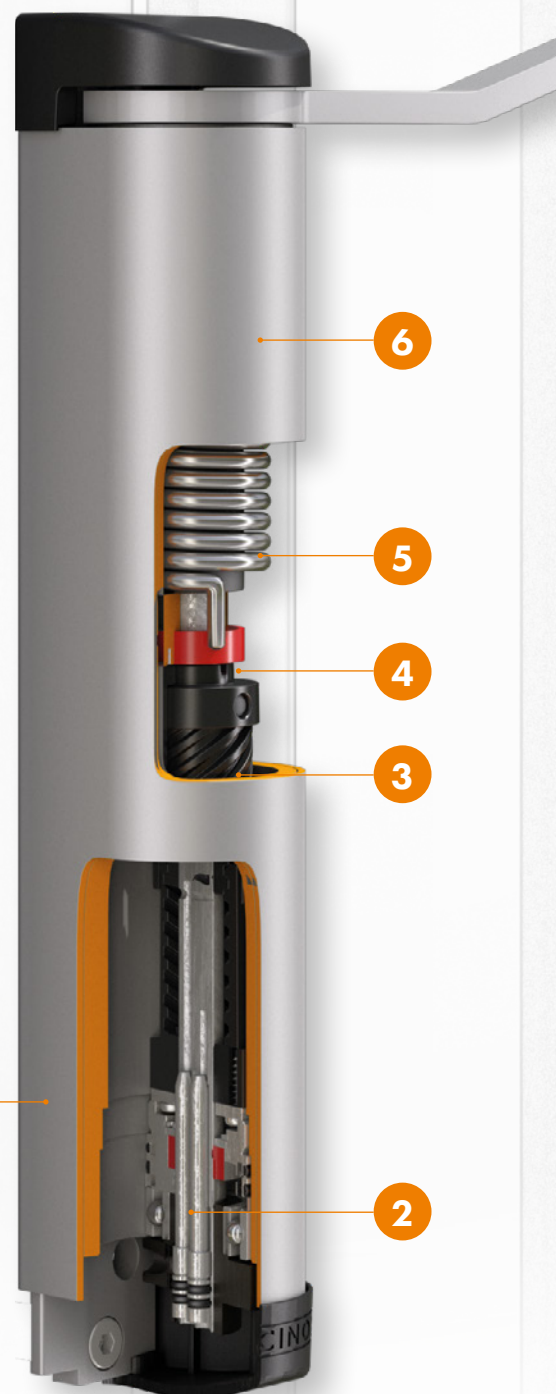
The Active Thermal System, our own cutting-edge development, guarantees a constant closing speed, regardless of the outside temperature.



2 ADJUST SPEED AND FINAL SNAP PRECISELY

Some customers prefer their gate to close slowly, while others want it to go a little faster. No problem! All of our gate closers can easily be adjusted in a matter of seconds to the wishes of your customers.

The final snap allows the gate to speed up a little at the end: this way, you are reassured the gate is properly closed. The final snap can easily be adjusted to any need.





3 FUNCTIONS COMFORTABLY

The in-house developed High-Helix screws guarantee a consistent functionality and ensure a comfortable opening speed for the elderly or disabled.

4 DUST- & WATERPROOF

Our gate closers are equipped with rotary seals. These seals protect the gate closers from dirt and dust particles intruding the mechanism, assuring your customers of worry-free functioning for many years to come.

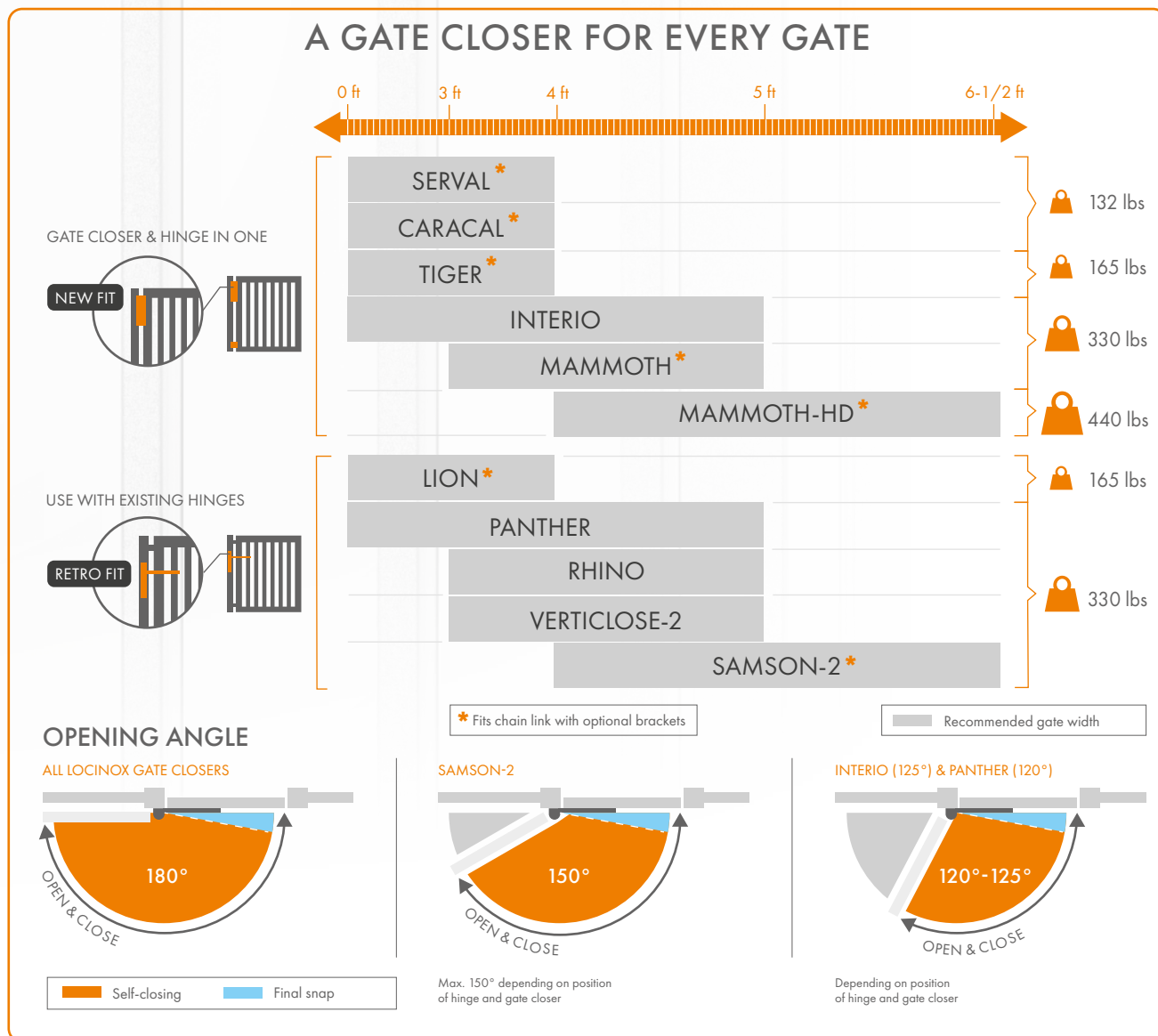
5 CLOSES EVERY TIME

The powerful torsion spring guarantees the necessary closing force. Therefore, your gate will always close: unaffected by strong winds, the width of your gate wing or the outside temperature. You can rest assured.

6 100% PROTECTED

The aluminum anodized housing guarantees full protection against any weather conditions. The housing is windproof, frost-free and dust- & waterproof, allowing your gate closer to function perfectly.

A GATE CLOSER FOR EVERY GATE



Find your gate closer thanks to our [handy gate closer configurator](http://www.locinoxusa.com) on www.locinoxusa.com


**A SILENT
OPENING &
CLOSING**


**SAFE
FOR
WHEELCHAIR
USERS**

EXCEPTIONAL
PRECISE ADJUSTMENT OF
SPEED & FINAL SNAP
FOR YOUR
COMFORT




**VANDAL
PROOF**



10 FEATURES SETTING LOCINOX GATE CLOSERS APART!


**CHILD
& PET
FRIENDLY**

**EFFICIENT
INSTALLATION
FAST & EASY**




**DURABLE
TESTED FOR
500,000
MOVEMENTS**


**3 YEAR
WARRANTY**


**100%
HYDRAULIC
GREEN &
MAINTENANCE
FREE**

EXTREME
WEATHERPROOF
CONSTANT CLOSING SPEED
-22° ▶ +158° F



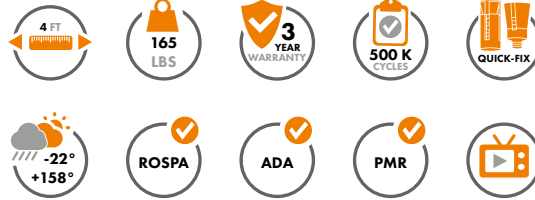
Compact 180° hydraulic gate closer and hinge for gates up to 165 lbs

TIGER (Patented)

180° self-closing hydraulic hinge with precise adjustments on speed and final snap. The aluminum powder coated housing and unique high-tech components allow the Tiger to function perfectly in any weather situation. We highly recommend the Tigerdrill for an even more efficient installation. The Puma hinge is included.



24h SHIPPING



Color options

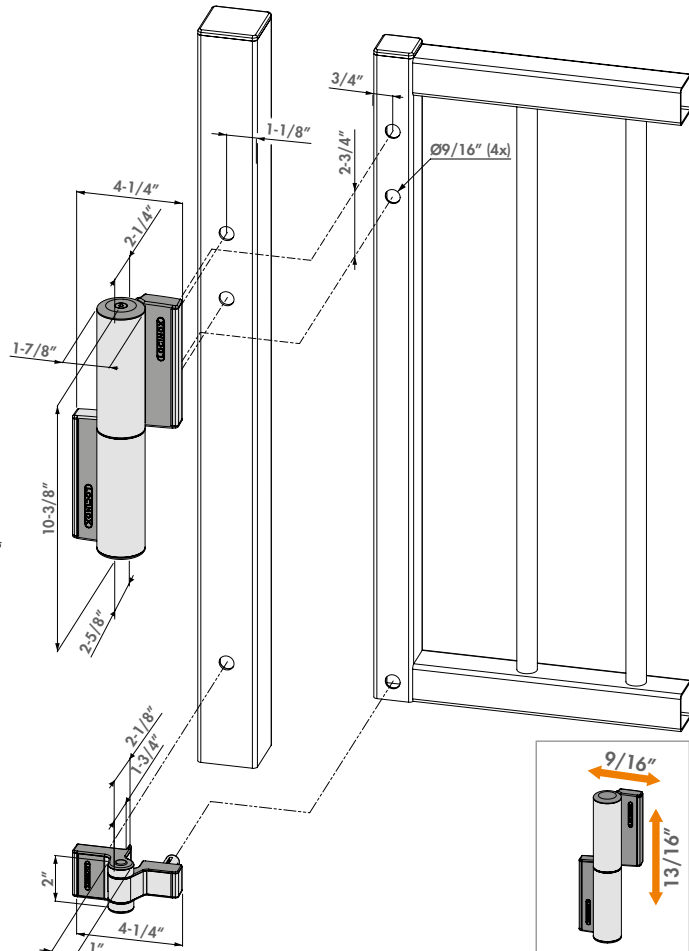


Specifications

- ✔ 180° self-closing hinge with patented hydraulic damping
- ✔ Weatherproof aluminum housing designed for exterior use
- ✔ Patented hydraulic damping - consistent closing speed, regardless of temperature
- ✔ For left and right turning gates
- ✔ Fast and easy fixation with Quick-Fix bolts
- ✔ Installation gap 7/16" up to 1" (5/8" adjustability)
- ✔ 3/4" vertical adjustability
- ✔ ADA compliant (< 5 lbs; max 16 Nm) from gate widths of 3ft. or more

Order code

TIGER Hydraulic gate closer and Puma 180° hinge for gates up to 165 lbs **24h SHIPPING**



Recommended products



TIGERDRILL
P. 164



CLB-TIGER
P. 190

Heavy duty 180° hydraulic gate closer and hinge for gates up to 330 lbs

MAMMOTH-180 (Patented)

Sleek and powerful self-closing hinge for 180° gate situations. The Mammoth is perfectly fit for gates up to 330 lbs. It is equipped with a double bearing for exceptional functionality. An Active Thermal System guarantees a constant closing speed, unaffected by weather conditions. The Dino hinge is included.



24h SHIPPING

-
-
-
-
-
-
-
-
-

Color options

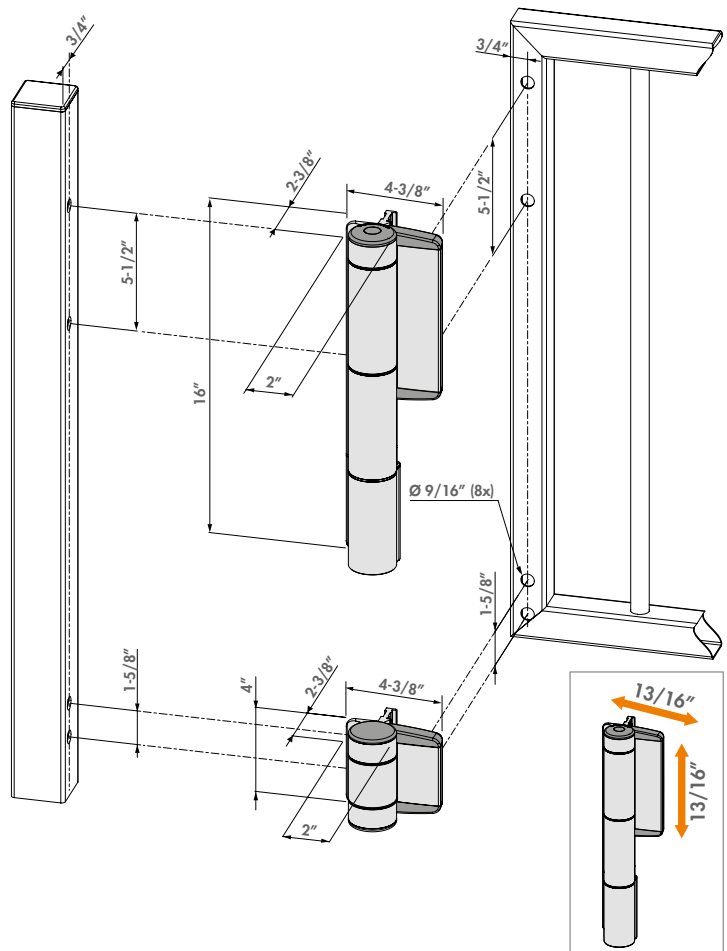


Specifications

- ✔ 180° self-closing double bearing hinge with adjustable closing speed and final snap
- ✔ Robust yet stylish design with high quality components
- ✔ Consistent closing speed thanks to patented hydraulic damping
- ✔ ADA compliant (< 5 lbs; max 16 Nm) from gate widths of 3ft. or more
- ✔ Vandal and tamper proof
- ✔ For left and right opening gates
- ✔ Fast and easy installation with Quick-Fix
- ✔ Installation gap 9/16 min up to 1-3/8" max (ornamental); 9/16" adjustability in height

Order code

MAMMOTH-180 Stylish hydraulic gate closer for heavy gates **24h SHIPPING**



Recommended products



CLB-MAMMOTH
P. 190

Ultra heavy duty 180° hydraulic gate closer and hinge for gates up to 440 lbs

MAMMOTH-HD (Patented)

This heavy-duty gate closer and hinge-in-one is fit to close the heaviest gates. The combination of the hydraulically damped Mammoth with the powerful self-closing Raptor hinge is the perfect solution for closing gates weighing up to 440 lbs and 6-1/2 ft. wide. Both hinges are equipped with double bearings for extremely smooth functioning. The Active Thermal System guarantees a constant closing speed, unaffected by weather conditions. The Raptor hinge is included.



24h
SHIPPING



Color options

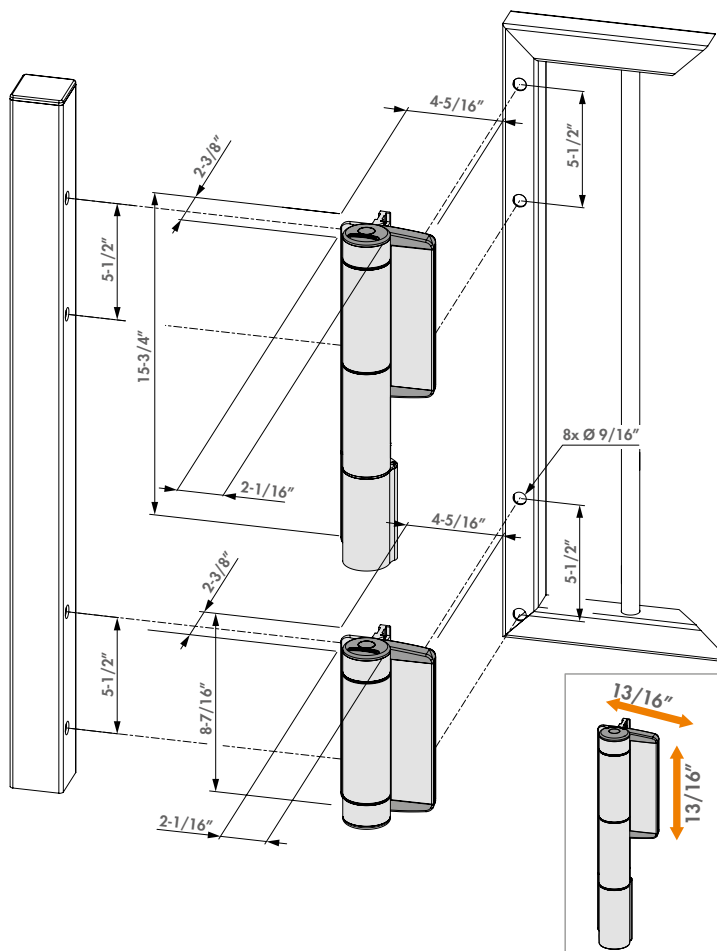


Specifications

- ✔ 180° self-closing double bearing hinge with adjustable closing speed and final snap
- ✔ Robust yet stylish design with high quality components
- ✔ Consistent closing speed thanks to patented hydraulic damping
- ✔ ADA compliant (< 5 lbs; max 32 Nm) from gate widths of 4.4ft. or more
- ✔ Vandal and tamper proof
- ✔ For left and right handed gates
- ✔ Fast and easy installation with Quick-Fix

Order code

MAMMOTH-HD Heavy-duty 180° hydraulic gate closer and hinge-in-one for gates up to 440 lbs **24h** SHIPPING



Recommended products



CLB-MAMMOTH
P. 190

Invisible, built-in hydraulic gate closer

INTERIO (Patented)

The invisible Interio gate closer, with matching hinge set, is completely built into the gate frame. This highly aesthetic solution opens and closes the gate comfortably. The integrated pretension ensures an efficient and flawless installation where speed and final snap can be adjusted accurately to fit any need.



24h SHIPPING

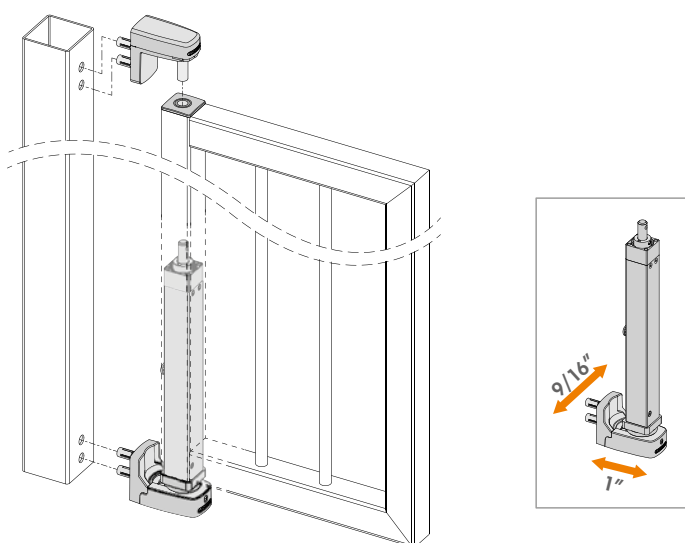


Color options

9005

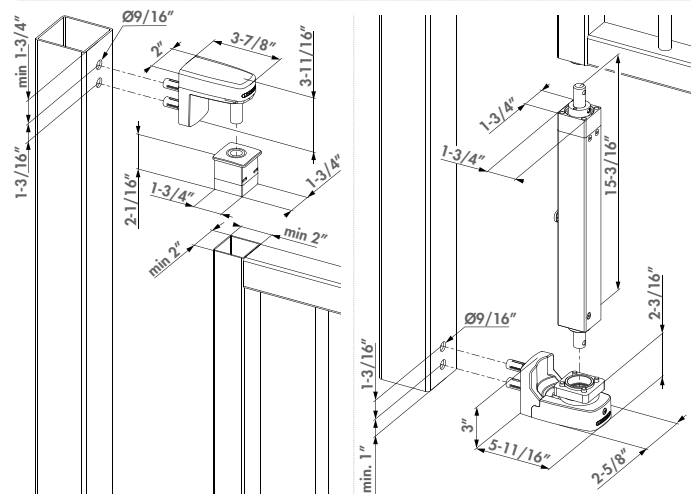
Specifications

- ✔ Built-in, self-closing hinge up to 125° with adjustable closing speed and final snap
- ✔ Closing speed unaffected by humidity and temperature changes
- ✔ Vandal and tamper proof
- ✔ For left and right handed gates
- ✔ For square gate frames frames of: 2" (for frame thickness of 0.125 inch or less), 2-1/4", and 2-1/2" (for frame thickness of 0.125 inch or more)
- ✔ Optional sets available for ground and wall installation
- ✔ Recommended with Gatestop

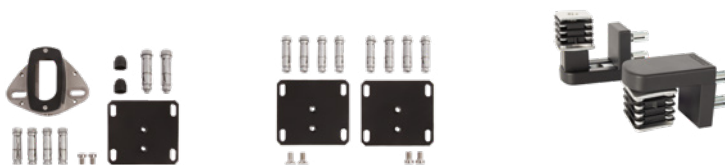


Order code

INTERIO Hydraulic built-in gate closer for gates up to 300 lbs **24h SHIPPING**



Recommended products



INTERIO-GROUND-9005
P. 17

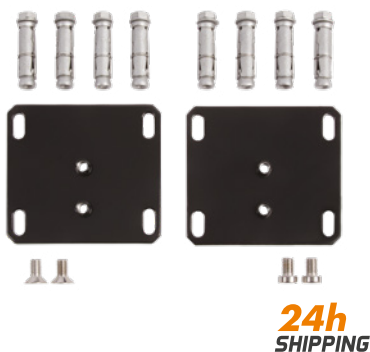
INTERIO-WALL-9005
P. 17

NOSEHINGE-I
P. 137

Wall fixation set for Interio gate closer

INTERIO-WALL-9005

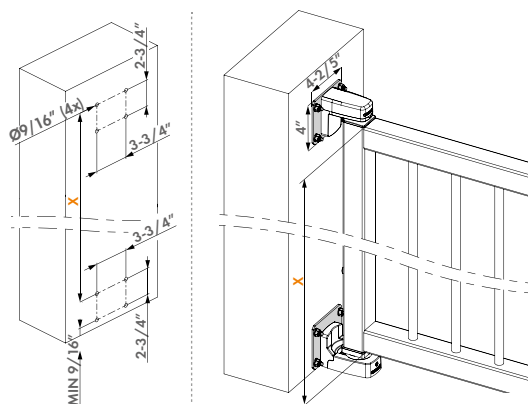
Optional set to fix the Interio gate closer directly on the wall. This set consists of two wall plates made of hot-dip galvanized steel. All fixations are included.



**24h
SHIPPING**

Specifications

- ✔ Wall plate made of hot-dip galvanized metal with RAL9005 powder coating
- ✔ Distance between gate and wall: min. 1-1/8"
- ✔ Depth adjustment: 9/16"
- ✔ Height adjustment: 3/8"
- ✔ Minimal opening under the gate: 9/16"
- ✔ Only compatible with Interio gate closer



Compatible gate closer



Order code

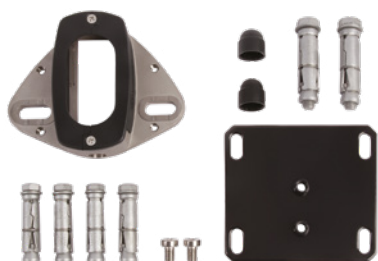
INTERIO-WALL-9005 Optional wall fixation set, only compatible with Interio gate closer **24h SHIPPING**

INTERIO
P. 16

Ground fixation set for Interio gate closer

INTERIO-GROUND-9005

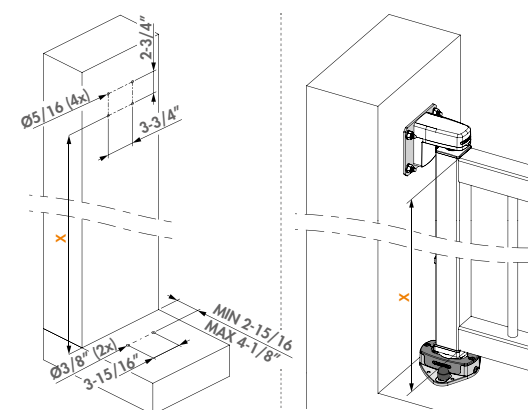
Optional set to fix the Interio gate closer directly on the ground. This set consists of a ground hinge and a wall panel. Including all fixations.



**24h
SHIPPING**

Specifications

- ✔ Wall plate made of hot-dip galvanized metal with RAL9005 powder coating
- ✔ Bottom hinge fixation block made of aluminum
- ✔ Anchor bolts included
- ✔ Distance between gate and wall: min. 1-1/8" - max. 2-1/8"
- ✔ Depth adjustment: 9/16"
- ✔ Height adjustment: 3/8"
- ✔ Minimal opening under the gate: 7/8"
- ✔ Only compatible with Interio gate closer



Compatible gate closer



Order code

INTERIO-GROUND-9005 Optional ground fixation set, only compatible with Interio gate closer **24h SHIPPING**

INTERIO
P. 16

Hydraulic retrofit gate closer for wide gates up to 330 lbs

SAMSON-2 (Patented)

Simple installation and versatility make it the perfect fit for larger gates. Samson-2 is a polyvalent hydraulic gate closer developed with high quality components for an exceptional long life span. Temperature changes do not affect the smooth and constant functionality. The set of mounting brackets that are delivered with the closer make Samson-2 fit for any gate. Also fitted for chain link fences.



**24h
SHIPPING**

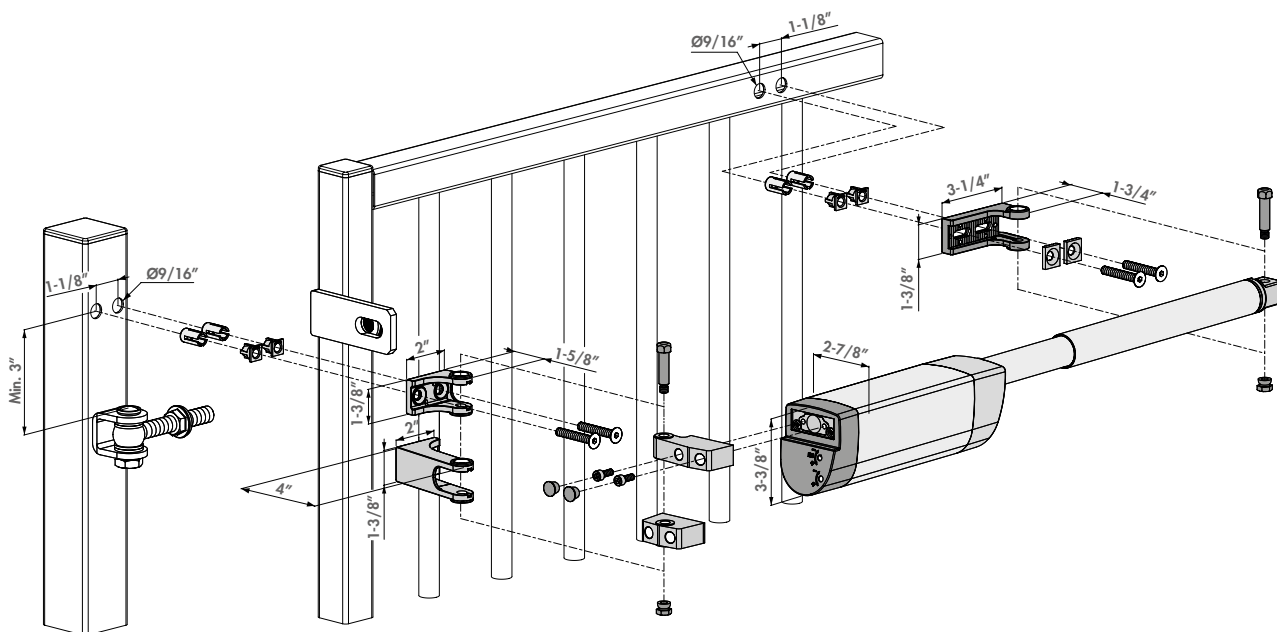


Color options



Specifications

- ✓ Hydraulic gate closer up to 150° with adjustable closing speed and final action
- ✓ Specially developed for outdoor use: industrial quality
- ✓ Weatherproof, scratch resistant and corrosion free anodized aluminum housing
- ✓ Consistent closing speed thanks to patented hydraulic damping
- ✓ Fast and easy fixation with Quick-Fix bolts
- ✓ For left and right turning gates
- ✓ ADA compliant (< 5 lbs; max 25 Nm) from gate widths of 4ft. or more



Recommended products



Order code

SAMSON-2 Hydraulic gate closer for gates up to 300 lbs **24h SHIPPING**

SB-
P. 187

All-round hydraulic gate closer for wall and post mounting

PANTHER



Versatile, easy-to-install and compact gate closer designed specially for wall and post situations. Panther is installed above the gate or between two pillars and can precisely be adjusted to anyone's wishes. The guaranteed closing force over the full 120° opening angle results in a worry free use, regardless of the weather conditions. The aesthetic and scratch free anodized housing ensures a very long life cycle.



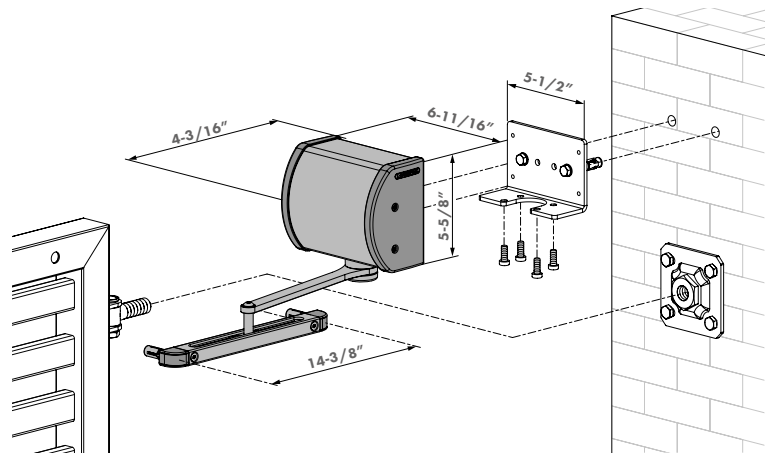
24h SHIPPING

Color options



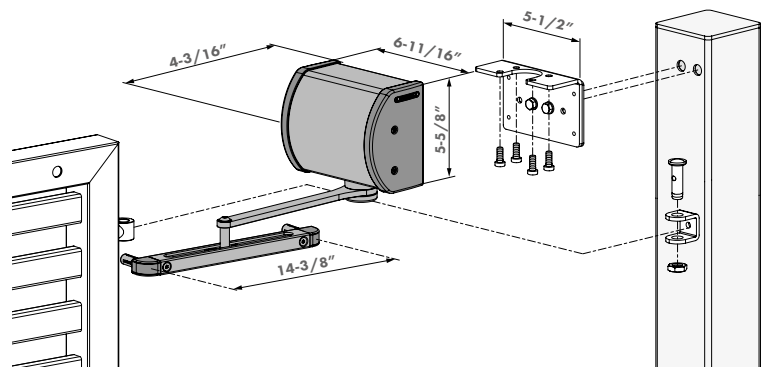
Specifications

- ✔ Gate closer for wall-mounting with adjustable closing speed and final action
- ✔ Consistent closing speed thanks to patented hydraulic damping
- ✔ Weatherproof, scratch resistant and corrosion free anodized aluminum housing
- ✔ Designed to be installed above the gate
- ✔ Integrated pretension for extremely smooth installation
- ✔ Closing force over the full 120° opening angle
- ✔ Recommended with Gatestop



Order code

PANTHER All-round hydraulic gate closer for wall and post mounting, for gates up to 330 lbs **24h SHIPPING**



Recommended products



1034A2-
P. 123

1034ROLL-HDG-
P. 123

RAIL-FIT
P. 191

Compact 90° or 180° retrofit gate closer for gates up to 165 lbs

LION (Patented)

The attractive and compact Lion gate closer is unique in its kind. This hydraulic all-rounder is fit for every possible gate situation. Moreover, both 90° and 180° railsets are included in the package, allowing for more flexibility on site. The anodized aluminum housing combines a handsome look with a durable and spotless functioning for many years. Choose the Lion-VTC Drill for an even faster installation.



24h
SHIPPING

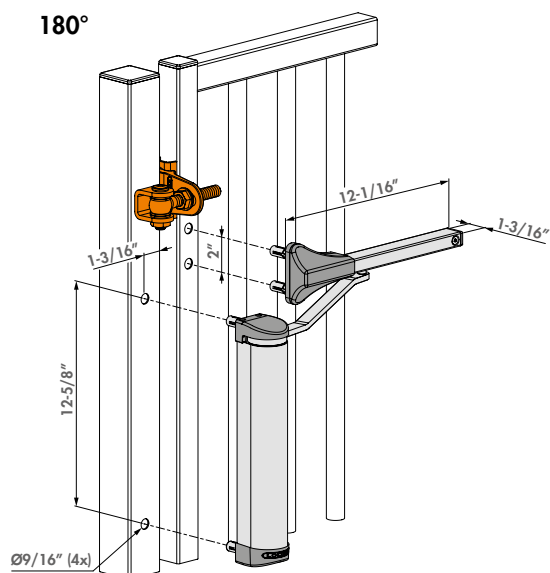
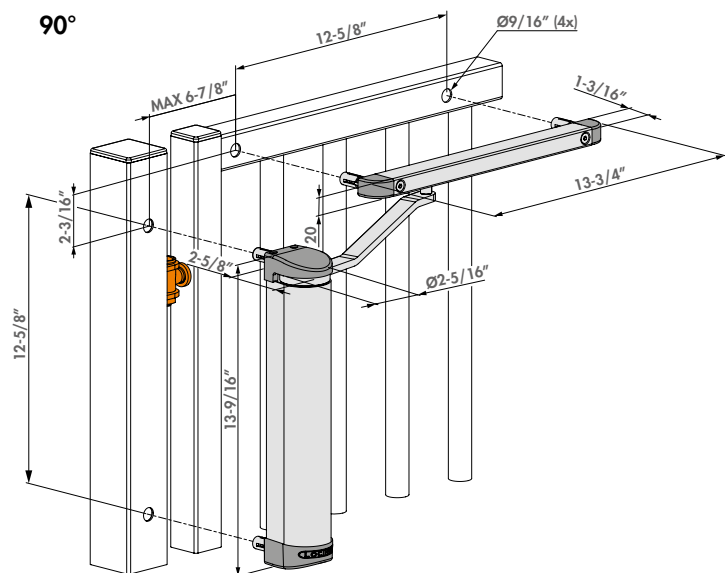


Color options

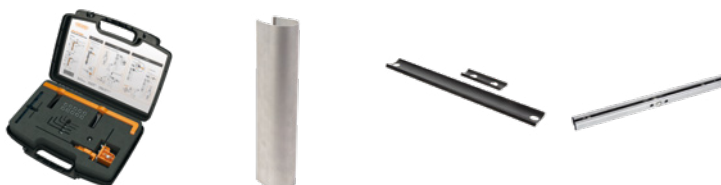


Specifications

- ✓ 180° retrofit gate closer with adjustable closing speed and final action
- ✓ Railset included for 90° and 180° situations (depending on hinges used)
- ✓ Compact design with high quality components
- ✓ Consistent closing speed thanks to patented hydraulic damping
- ✓ For left and right handed gates
- ✓ Integrated pretension for extremely smooth installation
- ✓ ADA compliant (< 5 lbs; max 16 Nm) from gate widths of 3ft. or more



Recommended products



Order code

LION Compact hydraulic gate closer for any gate situation **24h** SHIPPING

LION-VTC-DRILL
P. 165

SHELL-LION-
P. 188

3018LION
P. 188

RAIL-FIT
P. 191



Aesthetical 180° gate closer with direct connection to the hinge

RHINO (Patented)

Transform your 180° hinge into a self-closing solution thanks to our Rhino hydraulic gate closer. The direct connection to the Locinox hinge guarantees the discreet look and efficient transmission of the energy required to close the gate perfectly. The anodized aluminum housing ensures a durable and smooth operation in any weather. The Rhinodrill jig guarantees an extremely efficient installation.



Color options

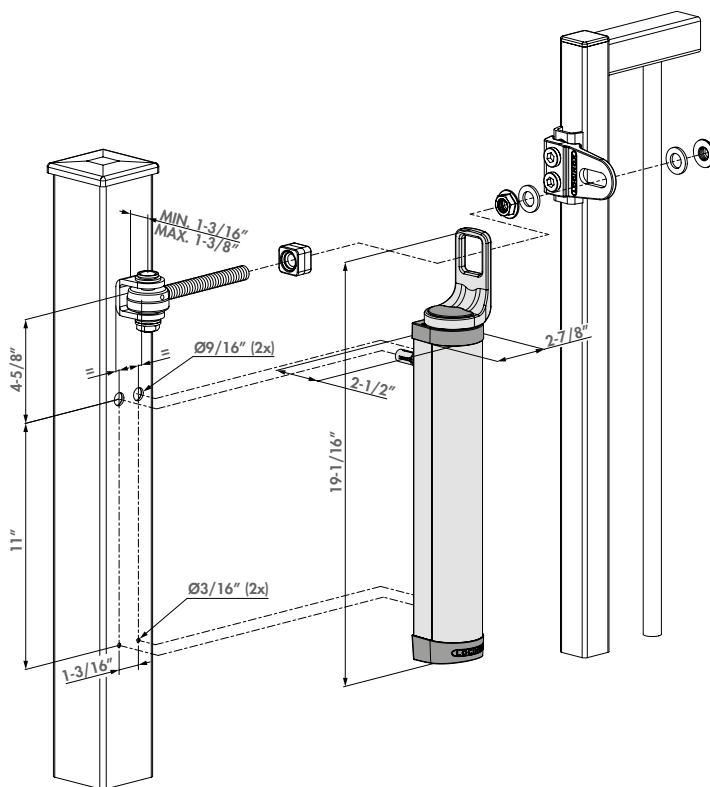
ZILV 9005

Specifications

- ✔ 180° self-closing double bearing hinge with adjustable closing speed and final snap
- ✔ Consistent closing speed thanks to patented hydraulic damping
- ✔ Fits 180° hinges M16 & M20 (GBMU & GBMU4D)
- ✔ Bearing eyebolt is recommended (1034ROLL-M16)
- ✔ Integrated pretension for extremely smooth installation
- ✔ ADA compliant (< 5 lbs; max 20 Nm) from gate widths of 3ft. or more

Order code

RHINO Hydraulic gate closer for gates up to 300 lbs



Recommended products



RHINODRILL
P. 164



1034ROLL-HDG-
P. 123



SHELL-RHINO-VTC-
P. 189

Heavy duty 90° or 180° retrofit hydraulic gate closer for gates up to 330 lbs

VERTICLOSE-2 (Patented)



The Verticlose-2 gate closer is top-of-the-range within the Verticlose product series. It is extremely multifunctional and possesses excellent features, which makes Verticlose-2 a perfect fit for both 90° and 180° hinge situations. The integrated pre-tension and continuous adjustability of speed and final snap, combined with our Quick-Fix mounting system, guarantee a quick and efficient installation. The aesthetic anodized aluminum gate closer with high-tech internal components ensures an exceptionally long life span. We highly recommend the Lion-VTC Drill for an even more efficient installation.



24h SHIPPING

Color options

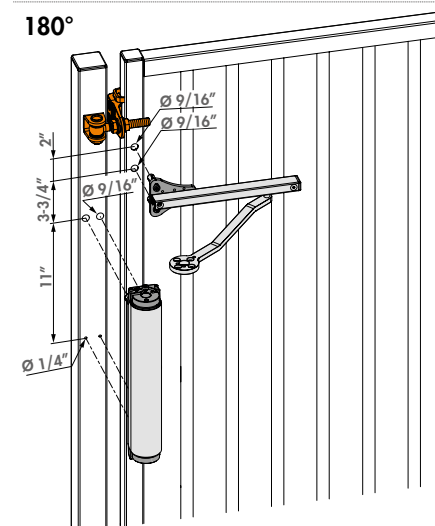
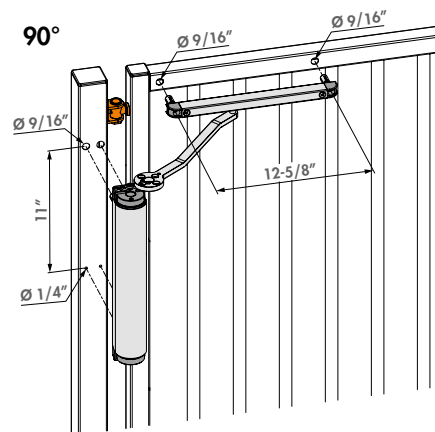


Specifications

- ✔ Micro adjustment of speed and final snap
- ✔ Railset included for 90° and 180° situations (depending on hinges used)
- ✔ Robust yet stylish design with high quality components
- ✔ Integrated pretension for extra smooth installation
- ✔ Consistent closing speed thanks to patented hydraulic damping
- ✔ Firmly fixed thanks to patented Quick-Fix system
- ✔ ADA compliant (< 5 lbs; max 25 Nm) from gate widths of 4ft. or more

Order code

VERTICLOSE-2 Powerful and all-round hydraulic gate closer for 90° and 180° hinges **24h SHIPPING**



Recommended products



LION-VTC-DRILL P. 165 **SHELL-RHINO-VTC** P. 189 **RAIL-FIT** P. 191

90° or 180° hydraulic gate closer for wall-mounted gates up to 330 lbs

VERTICLOSE-2-WALL (Patented)

The Verticlose-2 Wall gate closer has been specifically designed for wall mounting where the gate closer itself is positioned at a 90° position in relation to the gate. The specially designed arm turns around the wall or post, ensuring a large opening angle. The aesthetic anodized aluminum gate closer with high-tech internal components ensures an exceptionally long life span.



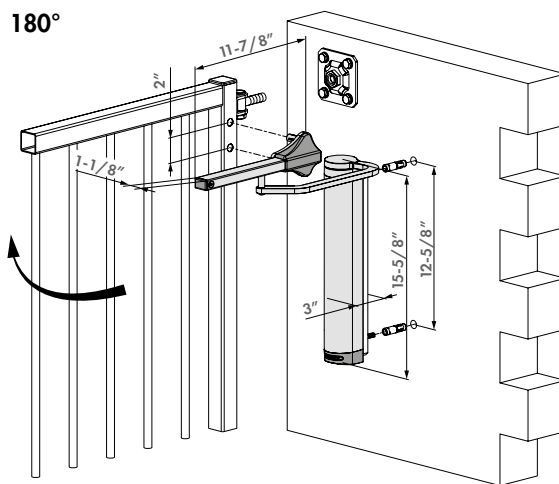
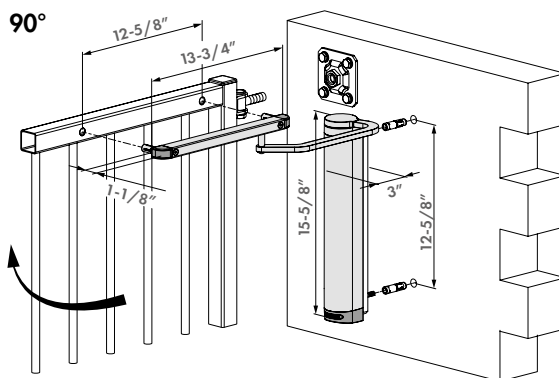
24h SHIPPING

Color options



Specifications

- ✔ Gate closer for wall-mounting with adjustable closing speed and final action
- ✔ Specially designed arm for wall mounting while guaranteeing a big opening angle
- ✔ Robust yet stylish design with high quality components
- ✔ Integrated pretension for extra smooth installation
- ✔ Consistent closing speed thanks to patented hydraulic damping
- ✔ Firmly fixed thanks to patented Quick-Fix system
- ✔ ADA compliant (< 5 lbs; max 25 Nm) from gate widths of 4ft. or more



Order code

VERTICLOSE-2-WALL Powerful and all-round hydraulic gate closer for wall mounting **24h SHIPPING**



Recommended products



LION-VTC-DRILL
P. 165



SHELL-RHINO-VTC-
P. 189



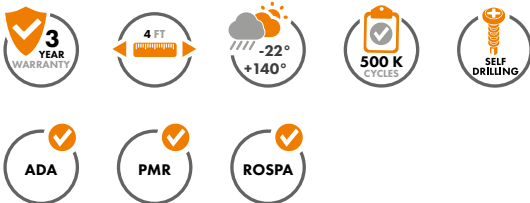
RAIL-FIT
P. 191

NEW Hydraulic 180° gate closer and hinge

CARACAL (Patented)



Aesthetic 180° gate closer with adjustable closing speed. The glassfiber reinforced PA housing protects the high-tech internal components, allowing for a perfect functioning in all weather circumstances. Its 13/16" vertical and horizontal adjustability ensures an easy and flexible installation. Firmly fixed with self drilling screws - no welding required. Suitable for installation on square and round frames. Caracal is a perfect fit for swimming pools, playgrounds, parks and garden gates. Including Serval self closing hinge.



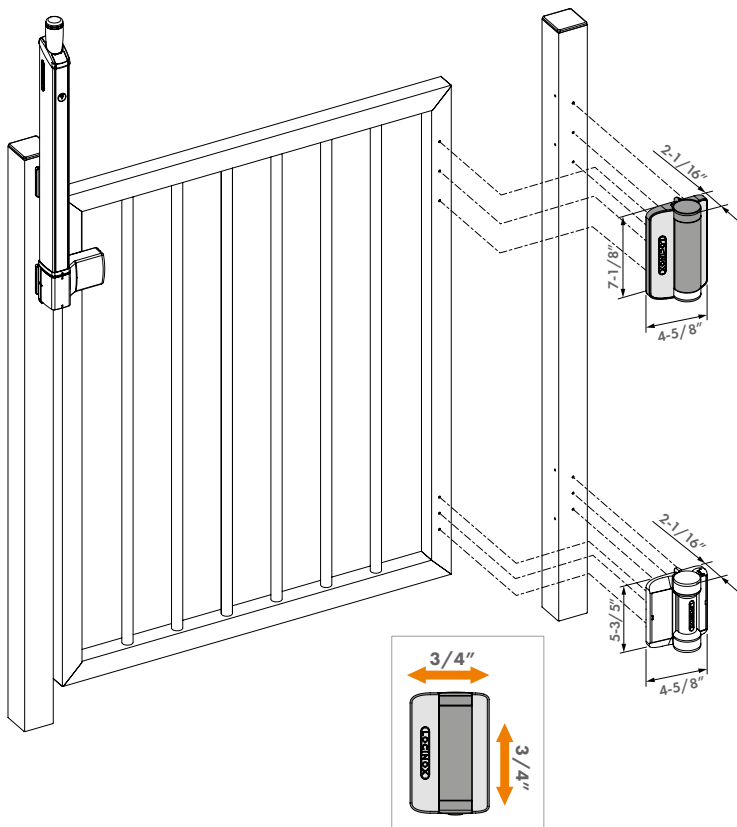
24h SHIPPING

Specifications

- ✔ 180° self-closing hinge with patented hydraulic damping
- ✔ Glassfiber reinforced PA housing
- ✔ Patented hydraulic damping - consistent closing speed, regardless of temperature
- ✔ For left and right turning gates
- ✔ Fast and easy fixing with self drilling screws
- ✔ 13/16" horizontal and vertical adjustability
- ✔ Easy to open: Max. 11 Nm
- ✔ For installation on round frame: CLB-CARACAL to be ordered additionally

Order codes

CARACAL-SD-K Hydraulic 180° gate closer and hinge mounted with self-drilling screws for square profiles



Recommended products



180° Spring hinge mounted with self-drilling screws

SERVAL

The Serval is a compact spring hinge with force adjustability. The fiberglass reinforced polyamide housing protects the high-tech internal components, allowing for perfect functionality in all weather conditions. Its 13/16" vertical and horizontal adjustability ensures an easy and flexible installation. Firmly fixed with self drilling screws - no welding required. Suitable for installation on square and round frames.



24h
SHIPPING

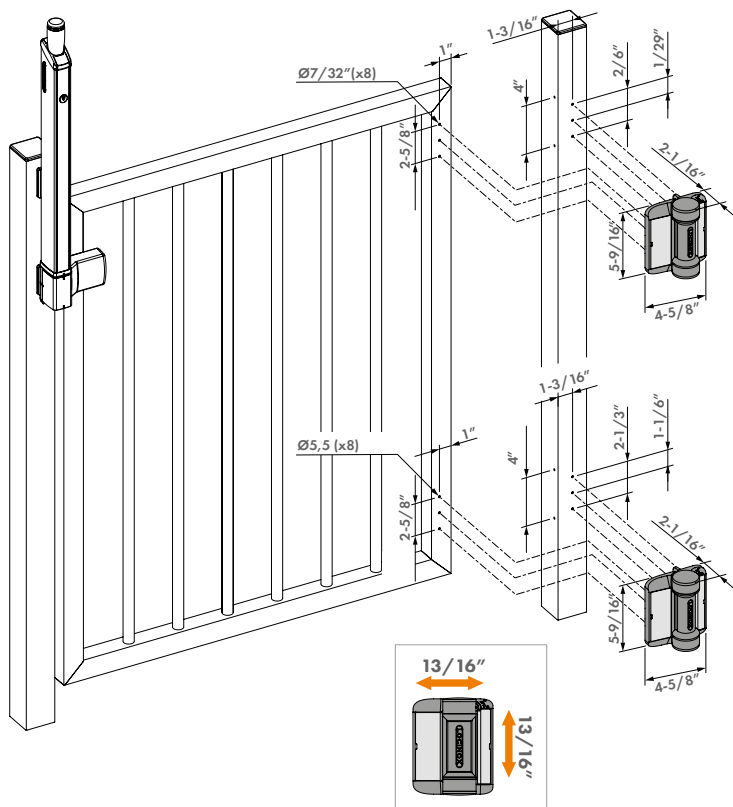


Specifications

- ✔ 180° spring hinge with force adjustability
- ✔ Fiberglass reinforced polyamide housing
- ✔ For left and right turning gates
- ✔ Fast and easy fixing with self drilling screws
- ✔ Force adjustability from 2 up to 7 Nm (at closed position)
- ✔ Easy to open: Max. 10 Nm
- ✔ 13/16" horizontal and vertical adjustability
- ✔ Use of NOSTEP anti-climb device is recommended

Order codes

- SERVAL-SD-R** 180° Spring hinge mounted with self-drilling screws for round profiles
- SERVAL-SD-K** 180° Spring hinge mounted with self-drilling screws for square profiles



Recommended products



CARACAL
P. 24



NOSTEP
P. 191





AUTOMATION & ELECTRONICS

Automation has become a fundamental factor in the fence & gate industry. Locinox offers a wide range of solutions to manufacture user-friendly smart gates and fences.



Motorized gate closer for pedestrian swing gates

● COMPACT

From power supply to motor and steel gearbox, everything is neatly packed together in an anodized aluminum cover of only 0.24" wide. The compact all-in-one Venus with integrated electronics fits perfectly on 0.26" profiles.

● RELIABLE

The Venus will meet the heaviest duty expectations, including manual force. Even when pedestrians push the gate to open or close during the Venus' performance, the motor will remain unharmed.

● EASY

The Venus is plug-and-play, with 3 different arms to offer versatility in installation. Easily mounted on the post with our QUICK-FIX solution.

● UPGRADABLE

By adding access control to the gate, the Venus can easily be upgraded to also work as a low energy gate opener.





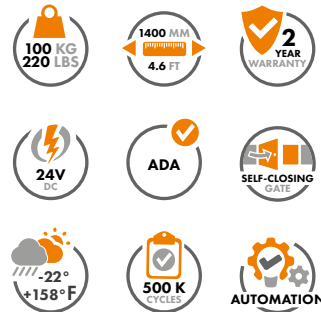
COMING SOON

Motorized gate closer for pedestrian swing gates

VENUS

The Venus is a plug-and-play motorized gate closer for pedestrian swing gates. The compact all-in-one gate operator can easily be installed on any type of post and hinge thanks to 2 different arm types.

The innovative motor's performance remains unaffected by manual force. When combined with access control, the Venus also works as a low-energy gate opener.

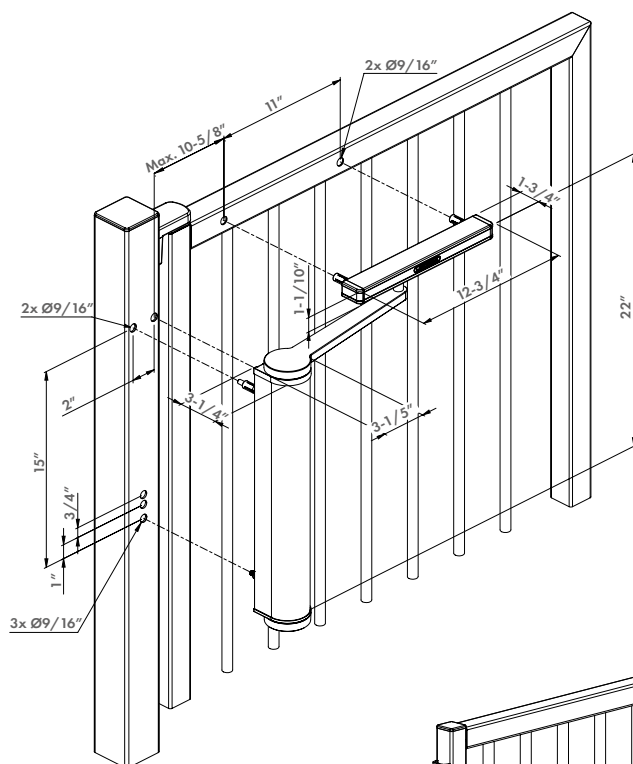


Color Space

ZILV 9005

Specifications

- ✔ Motorized gate closer with integrated electronics
- ✔ 150 Nm torque
- ✔ fits on 3-1/8" profiles
- ✔ For pedestrian gates up to 4.6ft wide and 220lbs
- ✔ Steel gear box
- ✔ Anodized aluminum cover
- ✔ 2 different arm options for installation
- ✔ Easy mounting with Quick-FIX
- ✔ Compact and vandal-proof design
- ✔ Input main Power supply: 115V AC ±10% (60Hz) to 230V AC ±10% (50Hz)
- ✔ Motor voltage: 24V DC
- ✔ Integrated warning light
- ✔ Automated obstacle detection with reverse function



Order codes

VENUS- Motorized gate closer for pedestrian swing gates

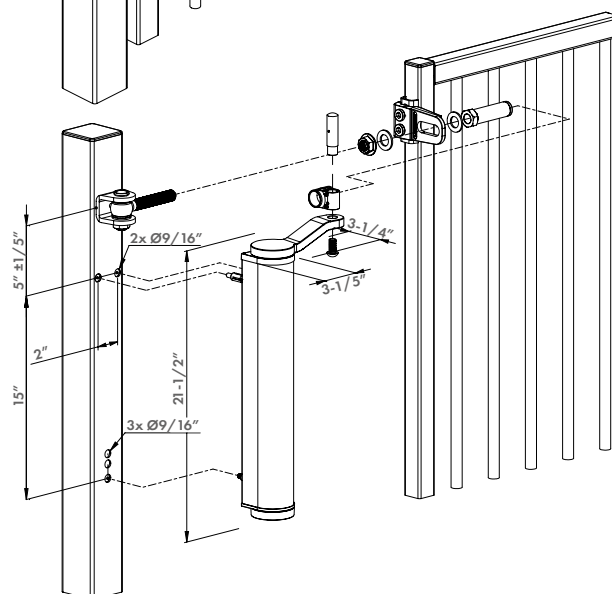
Compatible products



VENUS-ARM-G
P. 30



VENUS-ARM-S
P. 30



COMING SOON Arm to install Venus with GBMU4D16 or GBMU4D20 hinge

VENUS-ARM-G-

Accessory to install the Venus with Locinox 180° GBMU4D16 or GBMU4D20 hinge. This guarantees an efficient transmission of the motor torque. Includes a clutch mechanism for protection against torque overload.

Specifications

- ✓ Compatible with Venus
- ✓ Available in two colors: RAL 9005 & ZILV

Order code**VENUS-ARM-G-** Arm to install Venus with GBMU4D16 or GBMU4D20 hinge**COMING SOON** Sliding arm to install Venus

VENUS-ARM-S-

Accessory to install the Venus with any type of hinge, including wall situations. Includes a clutch mechanism for protection against torque overload.

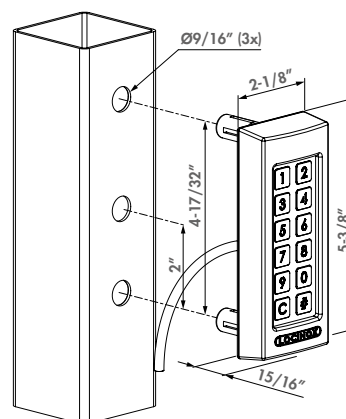
Specifications

- ✓ Compatible with Venus
- ✓ Available in two colors: RAL 9005 & ZILV

Order code**VENUS-ARM-S-** Sliding arm to install Venus**Weather resistant keypad with external relays**

SLIMSTONE-X-

The durable and robust SlimStone-X keypad has been developed to work with the SwitchStone-STD. When both combined, the SlimStone-X ensures maximum security against burglary thanks to 2 external relays, both with a common, Fail Open and Fail Close contact. The keypad is easy in installation and configuration, and is developed and tested for use in the most extreme weather conditions (IP68).

**Color options**

ZILV 9005

Specifications

- ✓ IP68 rated - Extremely resistant to water and dust
- ✓ Long range secure 2-wire communication with SwitchStone-STD, distance up to 330 yards
- ✓ Auto back up functionality
- ✓ External relay offers additional protection
- ✓ Highly resistant stainless steel push buttons tested for 1,000,000 pushes and more
- ✓ Easy programming of up to 400 user codes
- ✓ Smart heating element guarantees frost-free use
- ✓ Tested from -22°F to 185°F
- ✓ Consumption: 1,5 W (> 41°F) + 12 W at max heating (< -13°F)

Compatible products**MODULEC-SA**
P. 98**INTRALEC-**
P. 109**LIKQ U2**
P. 71**B-MAG-**
P. 33**Order code****SLIMSTONE-X-** Strong, frost-free and watertight keypad



**24h
SHIPPING**

Weather resistant keypad with 2 integrated relays

SLIMSTONE-2-

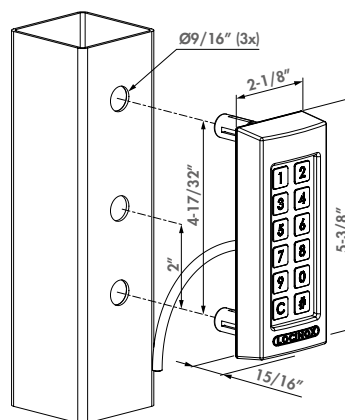
The SlimStone-2 keypad has 2 integrated relays, with a Fail Open and Fail Close contact. These make it easy to connect to Locinox and third-party automation products. This keypad with integrated led lighting is strong and extremely weather resistant, thanks to integrated heating and IP68 waterproof rating.

Color options



Specifications

- ✓ IP68 rated - Extremely resistant to water and dust
- ✓ Aluminum vandal-proof housing with scratch-resistant textured lacquer
- ✓ Highly resistant stainless steel push buttons tested for 1,000,000 pushes and more
- ✓ Easy installation and configuration
- ✓ Easy programming of up to 100 user codes
- ✓ Voltage: 10 up to 26 V AC/DC
- ✓ Current: 1.0 A (with heating)
- ✓ 2 integrated switching relays: 2 x NO - 2 x NC - 2 x COM (Max. 2A, 60W, 26V AC/DC)
- ✓ Consumption: 1,5 W (> 41 °F) + 12 W at max heating (< -13 °F)



Compatible products



MODULEC-SA
P. 98



INTRALEC-
P. 109



LIKQ U2
P. 71



B-MAG-
P. 33

Order code

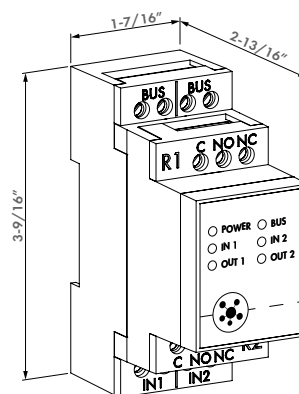
SLIMSTONE-2- Sturdy, frost-free and weather resistant keypad with 2 integrated relays **24h SHIPPING**

2-channel relay module

SWITCHSTONE-STD-



The SwitchStone-STD relay module has been developed to work in combination with devices such as the SlimStone-X keypad. The SwitchStone-STD ensures maximum security thanks to 2 external relays, both with a Common, Fail Open and Fail Close contact. These relays are capable of switching voltages up to 250V AC/26V DC, allowing them to be used in a wide range of applications, including switching lighting. Free exit functionality can be easily implemented using the 2 inputs on the module.



Specifications

- ✓ Includes 2x 250V AC/26V DC relays, each with COM, Fail Open and Fail Close contact
- ✓ Long range secure 2-wire communication with the SlimStone-X, up to 985' distance
- ✓ Auto back up functionality
- ✓ DIN-rail mountable
- ✓ Tested from -22°F to 185°F
- ✓ Relay switching duration adjustable between pulse and timer mode (500 ms - 99 s)
- ✓ To be used exclusively with the Powerstone 60W power supply
- ✓ Current: maximum 0.07 A
- ✓ Consumption: maximum 1.7 W

Compatible products



SLIMSTONE-X-
P. 30



PB-1
P. 46



POWERSTONE-
P. 48

Order code

SWITCHSTONE-STD-X-230 2-channel relay module with NO/NC contact

BUILT-IN MAGNETIC LOCKS

A FULL CONCEPT FOR SWING GATES

MAGUNIT

High quality insert magnetic lock with guaranteed holding force and long durability. 500h salt spray resistant.

N-LINE-B-MAG

Aesthetic, adjustable and powder coated finishing profile for swing gates preventing people to stumble against protruding parts.

3006PULL

Elegant powder coated handle for easy opening and closing of the gate.

TIP

- Save time and order the all-in-one **N-LINE-B-MAG KIT**
- Make your gate self-closing with the powerful **VERTICLOSE-2** gate closer



Built-in magnetic lock

B FULL CONCEPT FOR SLIDING GATES



MAGUNIT

High quality insert magnetic lock with guaranteed holding force and long durability. 500h salt spray resistant.

N-LINE-S-MAG

Aesthetic, adjustable and powder coated finishing profile for sliding gates preventing people to stumble against protruding parts.

3006PULL

Elegant powder coated handle for easy opening and closing of the gate.



TIP

- Add access control to your gate with the strong, frost-free and watertight **SLIMSTONE-2** keypad (IP68)





Built-in electro-magnetic lock for swing gates

B-MAG-

Clean lines and security are assured with this magnetic lock's installation. It's installed right into the latching post. Our patented Quick-Fix fasteners and powder coating means it will hold up to the most extreme weather conditions. The rubber bumpers prevent shaking or damage to the gate and its hardware in case of harsh handling. The flexible assembly of the armature plate guarantees a solid latch connection even if the gate isn't perfectly aligned.

24h
SHIPPING

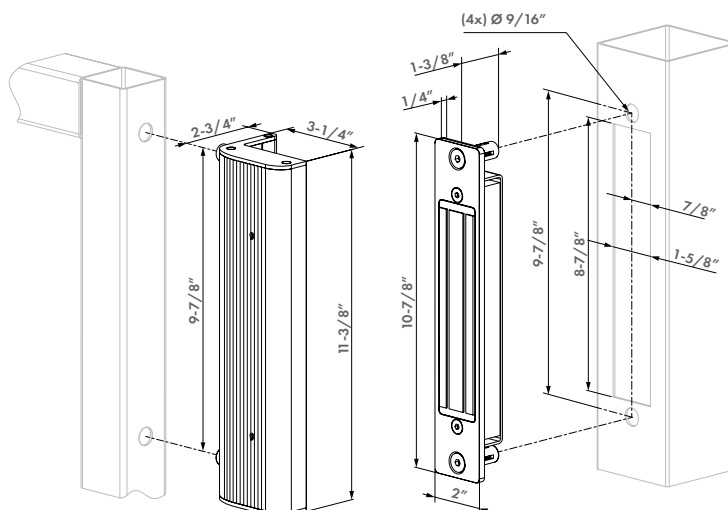


Color options



Specifications

- ✔ Guaranteed holding force tested on every magnetic lock
- ✔ Minimal pulling force: 2500N (600 lbs)
- ✔ 500h salt spray resistant! SGS Certified (ISO 9227)
- ✔ Special two-layer protective coating developed for outdoor use
- ✔ Anti-residual magnetism kick-off system
- ✔ Current: 460mA / 12V or 230mA / 24V
- ✔ Voltage: 12V / 24V DC



Order code

B-MAG- Integrated magnet and bolt-on anchorplate for swing gates **24h** SHIPPING



Recommended products



PB-1
P. 46



DVK-HD
P. 47



SLIMSTONE-2-
P. 31



DC-ACCESS-12V-20W
P. 48



DC-POWER-12V-20W
P. 48



DC-POWER-24V-25W
P. 48



Set with magnet and anchor plate for N-LINE (B or S)-MAG profiles

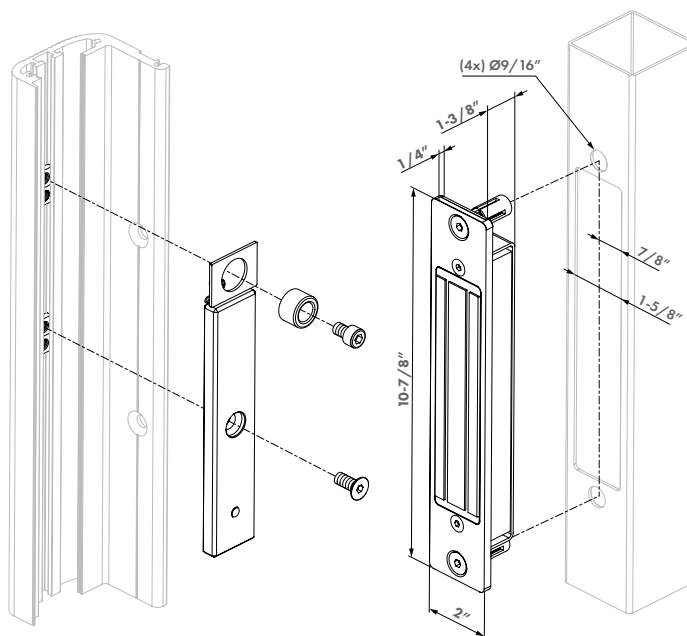
MAGUNIT-2500

Set with a MAG and anchor plate along with fittings for use with a N-LINE-B-MAG or N-LINE-S-MAG, 1 or more MAGUNITs can be mounted in the N-LINE profile.



Specifications

- ✓ Guaranteed holding force tested on every magnetic lock
- ✓ 500h salt spray resistant! SGS Certified (ISO 9227)
- ✓ Special two-layer protective coating developed for outdoor use
- ✓ Anti-residual magnetism kick-off system
- ✓ Current: 460mA / 12V or 230mA / 24V
- ✓ Voltage: 12V / 24V DC
- ✓ Minimal pulling force: 2500N (600 lbs)



Order codes

MAGUNIT-2500 Magnet and anchorplate for N-LINE-B-MAG and N-LINE-S-MAG profiles



Required products



N-LINE-B-MAG-
P. 35

N-LINE-S-MAG-
P. 35



Aluminum finishing profile for swing gates to combine with MAGUNIT-2500

N-LINE-B-MAG-

Adjustable, powder coated aluminum design profile for aesthetic closing of swing gates along with 1 or more MAGUNIT-2500. Thanks to the integrated magnet and the armature plate, which are both integrated in the design profile, a safe and complete solution without any protruding components is guaranteed.

Color options

ZILV 9005



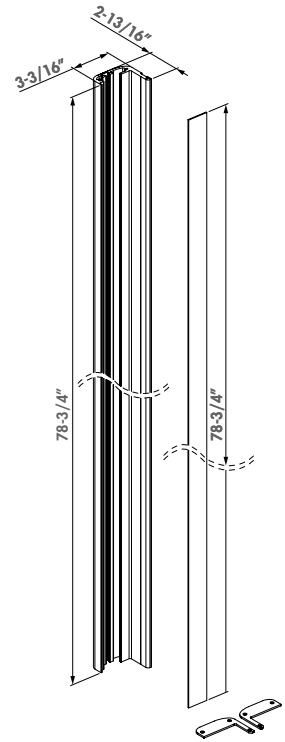
Specifications

- ✓ Profile length: 78-3/4"
- ✓ Fast and easy fixation with Quick-Fix bolts
- ✓ Powder coated aluminum housing
- ✓ Specially designed for exterior use

Compatible magnet



MAGUNIT-2500
P. 34



Order codes

N-LINE-B-MAG- Aluminum finishing profile for MAGUNIT-2500



Aluminum finishing profile for sliding gates to combine with MAGUNIT

N-LINE-S-MAG-

Adjustable, powder coated aluminum design profile for aesthetic closing of sliding gates along with 1 or more MAGUNIT-2500. Thanks to the integrated magnet and the armature plate, which are both integrated in the design profile, a safe and complete solution without any protruding components is guaranteed.

Color options

ZILV 9005



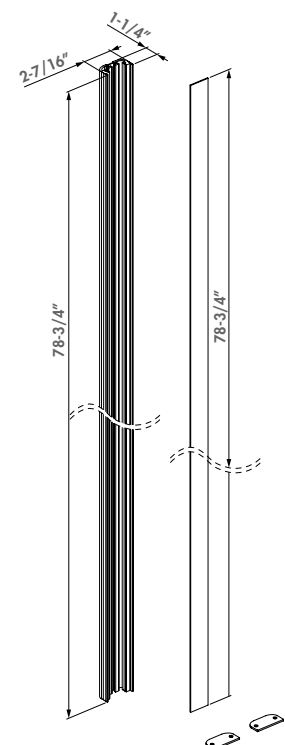
Specifications

- ✓ Profile length: 78-3/4"
- ✓ Fast and easy fixation with Quick-Fix bolts
- ✓ Powder coated aluminum housing
- ✓ Specially designed for exterior use

Compatible magnet



MAGUNIT-2500
P. 34



Order codes

N-LINE-S-MAG- Aluminum finishing profile for MAGUNIT-2500



Set with N-LINE-B-MAG, 2x MAGUNIT & 3006PULL

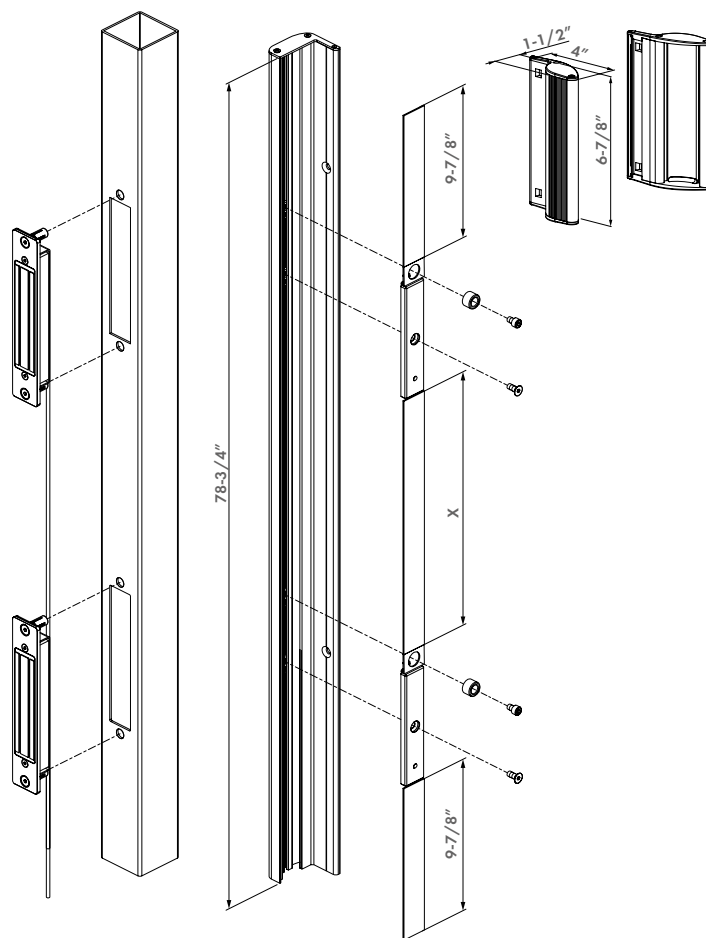
N-LINE-B-MAG-KIT-

Electromagnetic set for swing gates for fixing to the gate frame. The set consists of two MAGUNIT, the 3006PULL and an aesthetic design profile. Available in ZILV and RAL9005.



Specifications

- ✓ Includes 2 integrated magnets equipped with Quick-Fix mounting (MAGUNIT-2500)
- ✓ Including aluminum filling profile with Quick-Fix mounting (N-LINE-B-MAG profile)
- ✓ Profile length: 78-3/4"
- ✓ Including 2 aluminum covers for an aesthetical finishing on top and bottom
- ✓ Specially designed for exterior use
- ✓ Voltage: 12V / 24V DC
- ✓ Current: 460mA / 12V or 230mA / 24V



Order codes

N-LINE-B-MAG-KIT-

Set with N-LINE-B-MAG profile and 2x MAGUNIT-2500



Kit includes



N-LINE-B-MAG-
P. 35



MAGUNIT-2500
P. 34



Integrated magnet lock for sliding gates

S-MAG-

S-MAG is the perfect product to lock any type of sliding gate. It has a guaranteed tensile strength of 600 lbs and resists extreme weather conditions. The rubber bumpers prevent shaking of the gate, and damage to the gate and its accessories in case of harsh handling, and the flexible assembly of the armature plate guarantees a normal closing even if the gate isn't perfectly aligned.

24h SHIPPING

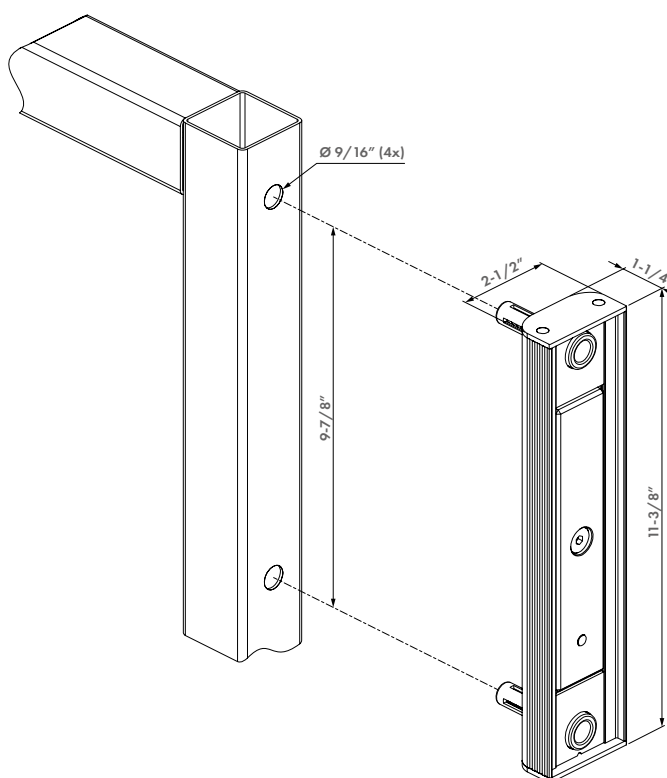


Color options



Specifications

- ✔ Guaranteed holding force tested on every magnetic lock
- ✔ 500h salt spray resistant! SGS Certified (ISO 9227)
- ✔ Special two-layer protective coating developed for outdoor use
- ✔ Anti-residual magnetism kick-off system
- ✔ Minimal pulling force: 2500N (600 lbs)
- ✔ Current: 460mA / 12V or 230mA / 24V
- ✔ Voltage: 12V / 24V DC



Order codes

S-MAG- Integrated magnet and bolt-on anchorplate for sliding gates, 550lbs pulling force **24h SHIPPING**



Recommended products



SLIMSTONE-2-
P. 31



PB-1
P. 46



DVK-HD
P. 47



DC-ACCESS-12V-20W
P. 48



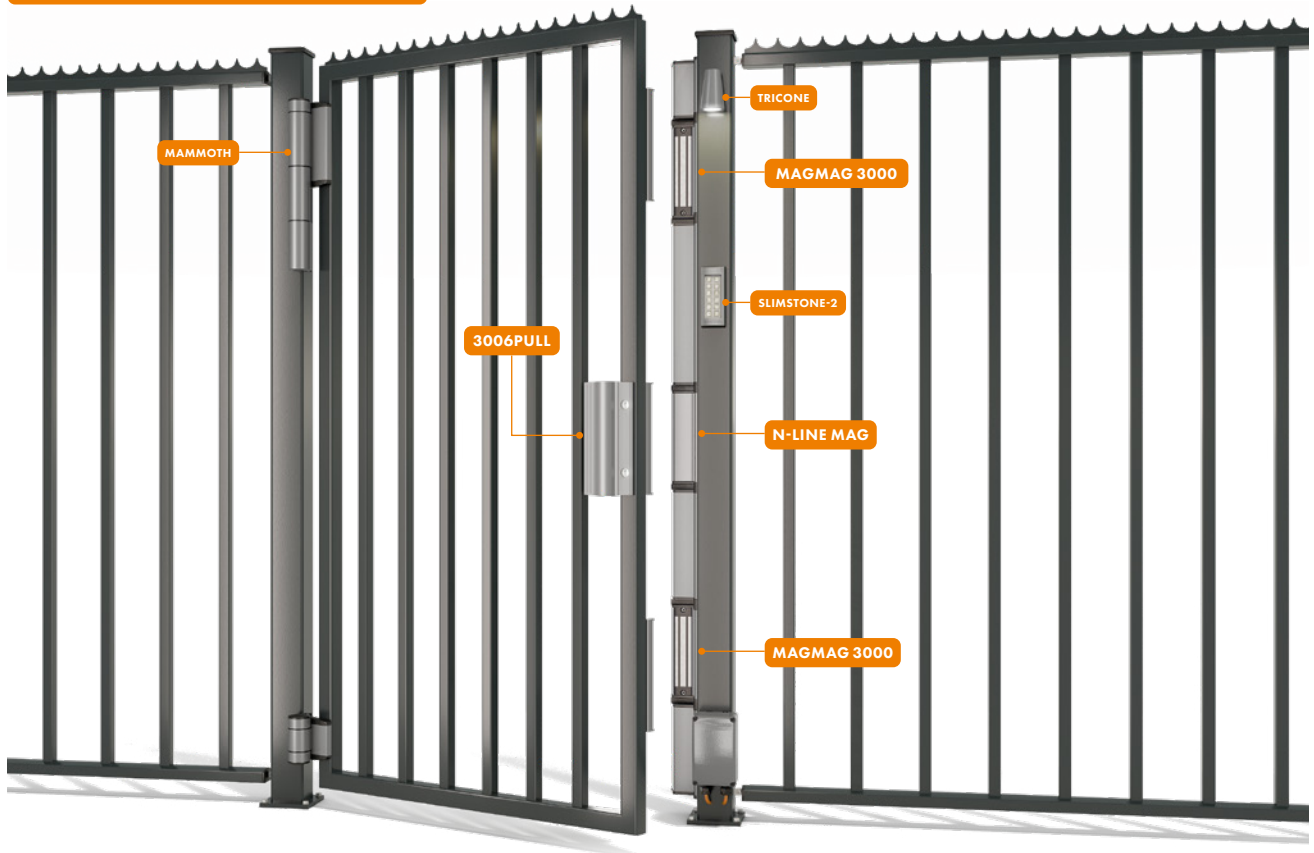
DC-POWER-12V-20W
P. 48



DC-POWER-24V-25W
P. 48

SURFACE MOUNTED MAGNETIC LOCKS

FULL CONCEPT FOR SWING GATES



MAGMAG

High quality surface mounted magnetic lock with guaranteed holding force and long durability. 500h salt spray resistant.

N-LINE-MAG

Aesthetic, adjustable and powder coated finishing profile for swing gates preventing people to stumble against protruding parts.

3006PULL

Elegant powder coated handle for easy opening and closing of the gate.

TIP

- Save time and order the all-in-one **N-LINE-MAG-KIT**
- Add access control to your gate with the strong, frost-free and watertight **SLIMSTONE-2** keypad (IP68)
- Make your gate self-closing with the aesthetic **MAMMOTH** gate closer



Electromagnetic lock with handles

✓ GUARANTEED PERFORMANCE

✓ COMFORTABLE

✓ WEATHERPROOF

✓ DURABLE

✓ TESTED & APPROVED



Surface mounted electromagnetic lock with integrated pull/push handles

MAG-

The MAG is a bolt-on electromagnetic lock for powered access control. Available in 2 versions; the MAG3000 has up to 660 lbs. and the MAG6000 which has up to 1320 lbs. of pull force resistance. The aluminum powder coated housing with integrated design handles gives your access control gate that extra elegant touch. Stop losing precious time with welding boxes; drilling just 7 holes does the job – our patented Quick-Fix bolts help you install quickly and easily. A two-layer, protective coating guarantees that our electromagnetic locks are ready for years of worry-free use in the outside elements.



24h
SHIPPING



Color options

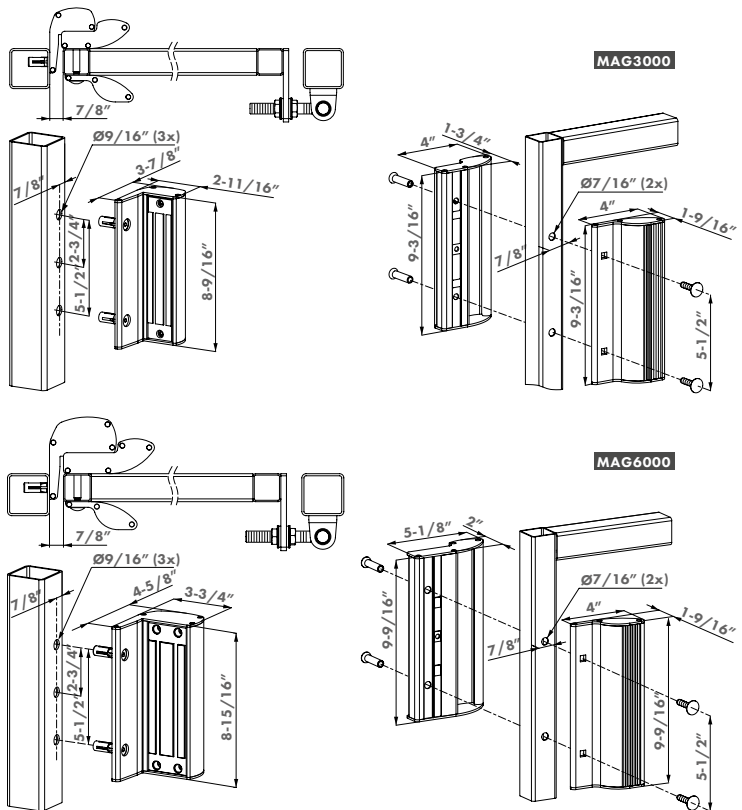


Specifications

- ✔ 500h salt spray resistant! SGS Certified (ISO 9227)
- ✔ Guaranteed holding force tested on every magnetic lock
- ✔ With Quick-fix fixing
- ✔ Weatherproof aluminum housing designed for exterior use
- ✔ Anti-residual magnetism kick-off system
- ✔ Raised edge on the magnet housing makes it impossible to put a crowbar between the magnet and the armature plate
- ✔ Voltage: 12V / 24V DC
- ✔ Current MAG3000: 500 mA / 12 V or 250 mA / 24 V
- ✔ Current MAG6000: 460 mA / 12 V or 230 mA / 24 V

Order codes

- MAG-3000** For square posts and gate profiles of 1-9/16" till 3-1/8", 660 lbs pulling force **24h** SHIPPING
- MAG-6000** For square posts and gate profiles of 1-9/16" till 3-1/8", 1320 lbs pulling force **24h** SHIPPING



Recommended products



N-LINE-MAG-3000
P. 41



PB-1
P. 46



DVK-HD
P. 47



DC-POWER-24V-25W
P. 48



24h
SHIPPING



Color options

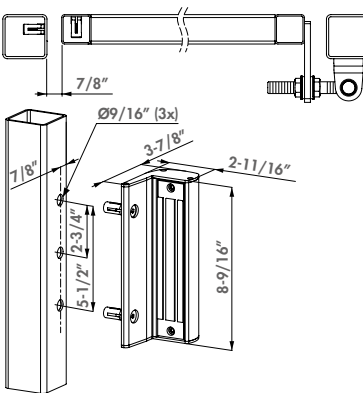


Specifications

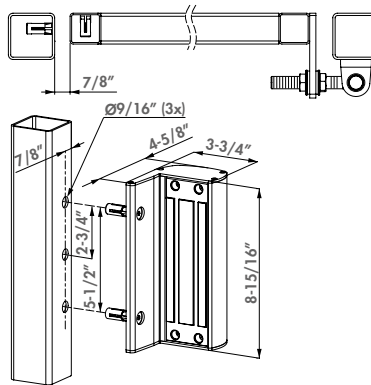
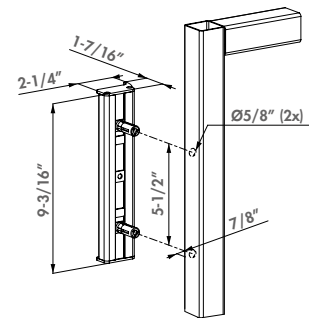
- ✔ 500h salt spray resistant! SGS Certified (ISO 9227)
- ✔ Guaranteed holding force tested on every magnetic lock
- ✔ Special two-layer protective coating developed for outdoor use
- ✔ Anti-residual magnetism kick-off system
- ✔ Raised edge on the magnet housing makes it impossible to put a crowbar between the magnet and the armature plate
- ✔ Current MAGMAG3000: 500 mA / 12 V or 250 mA / 24 V
- ✔ Current MAGMAG6000: 460 mA / 12 V or 230 mA / 24 V
- ✔ Voltage: 12V / 24V DC

Order codes

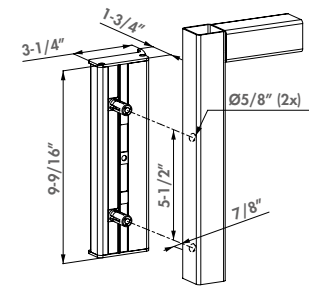
- MAGMAG-3000** For square posts and gate profiles of 1-9/16" till 3-1/8", 660 lbs pulling force **24h SHIPPING**
- MAGMAG-6000** For square posts and gate profiles of 1-9/16" till 3-1/8", 1320 lbs pulling force **24h SHIPPING**



MAGMAG3000



MAGMAG6000



Recommended products



Profile for MAG3000 and MAGMAG3000 magnetic locks

N-LINE MAG-

Adjustable, powder coated aluminum design profile for aesthetic closing of the gaps between MAG3000 or MAGMAG3000 magnetic locks. To be fixed to the post. Prevents passersby to bump into the protruding parts of the magnetic lock.



24h
SHIPPING

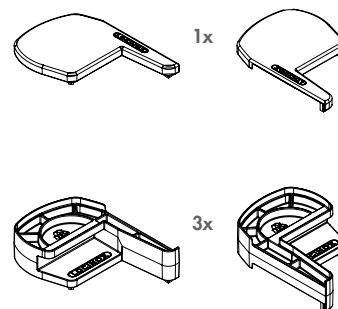
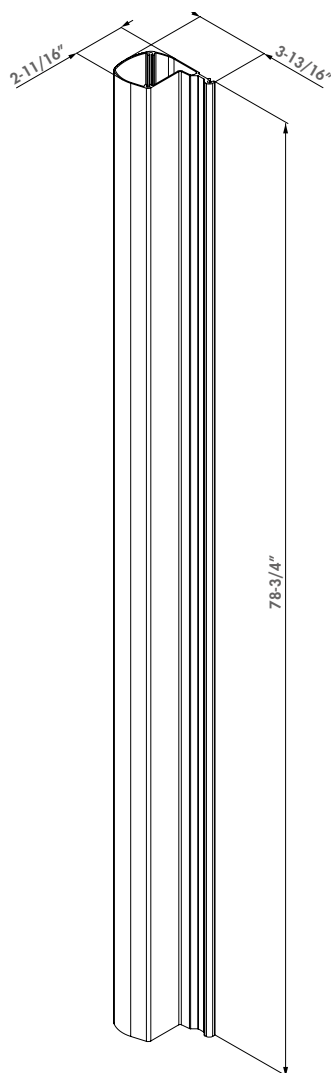


Color options

ZILV 9005

Specifications

- ✔ Profile length: 78-3/4"
- ✔ Delivered with self drilling screws, compatible with Quick-Fix
- ✔ 2 plastic cover caps and 6 in-between caps included
- ✔ Separate adaptor needed with use of 3006PULL handle, delivered with 3006PULL



Order code

N-LINE-MAG-3000 Aluminum finishing profile for MAG3000 & MAGMAG3000 **24h** SHIPPING



Recommended magnetic locks



MAG-3000
P. 39

MAGMAG-3000
P. 40



Set with N-LINE MAG profile, 2x MAGMAG3000, 3006PULL

N-LINE MAG KIT-3000

Set with N-LINE MAG profile and 2x MAGMAG3000 and 3006PULL handle. 3006PULL handle is included to finish your gate. Aesthetic solution which prevents passersby to stumble against the parts of the magnetic lock.



Color options

ZILV 9005

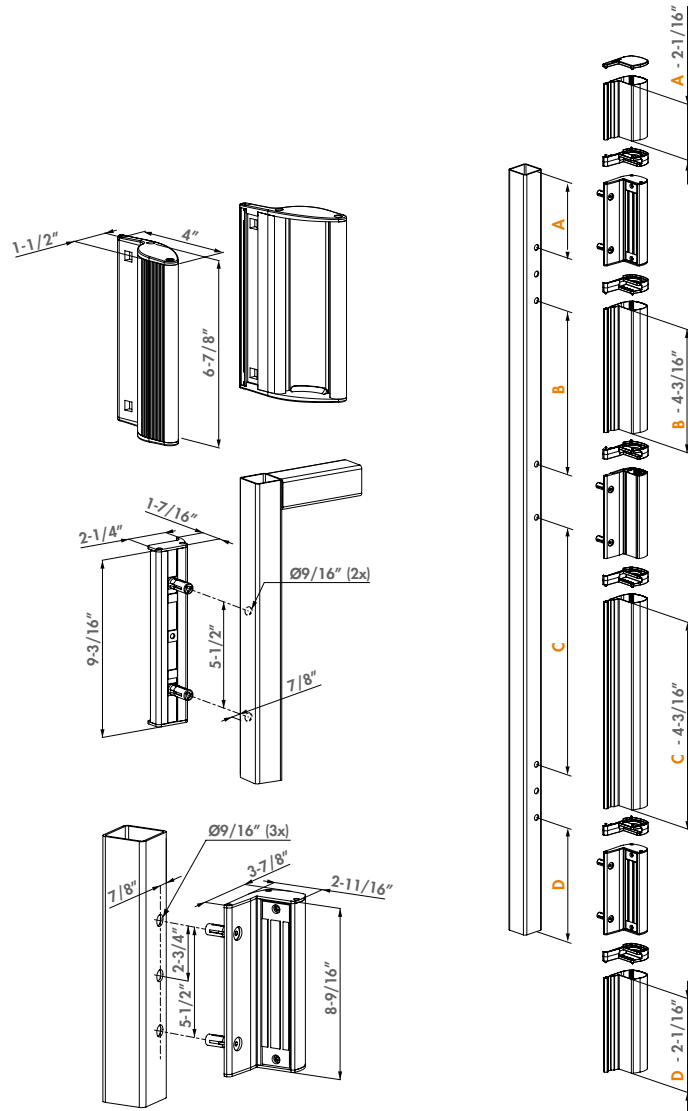
Specifications

- ✔ Adjustable aluminum design profile to mount above, below and in between the magnets
- ✔ Profile length: 78-3/4"
- ✔ Delivered with self drilling screws, compatible with Quick-Fix
- ✔ 2 plastic cover caps and 6 in-between caps included
- ✔ Aluminum 3006PULL handle included
- ✔ Delivered with 2x MAGMAG3000
- ✔ Voltage: 12V / 24V DC
- ✔ Current: 500mA / 12V or 360mA / 24V

Order code

N-LINE MAG KIT-3000

Set with N-LINE MAG profile and 2x MAGMAG3000 and 3006PULL handle



Kit includes



N-LINE-MAG-3000
P. 41



MAGMAG-3000
P. 40



3006PULL
P. 174



Design led-lighting for gates

TRICONE

Plug & Play design led lighting for your fences & gates. Gives your gate an aesthetical look with minimal power consumption! The Quick-Fix provides a fast and strong fixing on your fencing.



24h
SHIPPING

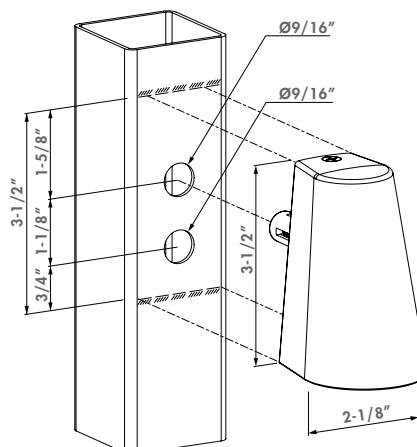


Color options



Specifications

- ✔ Fast and easy installation with Quick-Fix
- ✔ Aluminum housing with plastic (POM) cable guiding
- ✔ 3 White High-Flux LED Lights, color temperature: 5700K - 6500K
- ✔ ± 140° beam angle
- ✔ Life expectancy: 50,000 hours
- ✔ 300 lux (illuminance)
- ✔ Power: ± 1W (with 12V DC)
- ✔ 12V AC or DC (max. 18V DC or peak AC)
- ✔ Minimum power consumption and long lasting performance
- ✔ Resin encapsulated print circuit board for weather resistance
- ✔ Power up to 20 Tricone with 1 Locinox AC transformer or up to 15 with the DC power
- ✔ IP54



Order code

TRICONE Design led-lighting for gates with Quick-Fix **24h** SHIPPING



Cable guiding



DVK-HD
P. 47



DVK
P. 46



2005
P. 47



PB-1
P. 46

Recommended power supplies



AC-TRANS-12V-25W
P. 47



DC-POWER-12V-20W
P. 48



DC-ACCESS-12V-20W
P. 48



24h SHIPPING

Housing color options



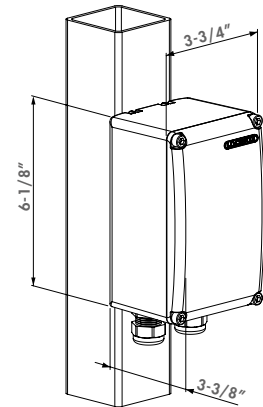
Specifications

- ✓ Waterproof transformer box - IP66
- ✓ Powder coated aluminum housing
- ✓ DIN-rail (type TH35) mount: 3-3/8" long
- ✓ Supplied with 2 gland nuts M20 and 2 stop plugs M16
- ✓ Designed with heat-dissipation fins at the back

Powerbox - Transformer housing

PB-1

Aluminum powder coated transformer box with Quick-Fix for strong and easy installation. IP66



Housing for power supplies and timer



SWITCHSTONE-STD
P. 31



DC-ACCESS-12V-20W
P. 48



DC-POWER-12V-20W
P. 48



DC-POWER-24V-25W
P. 48

Order code

PB-1 Transformer housing with DIN-rail and Quick-Fix fixing **24h SHIPPING**



24h SHIPPING

Color options



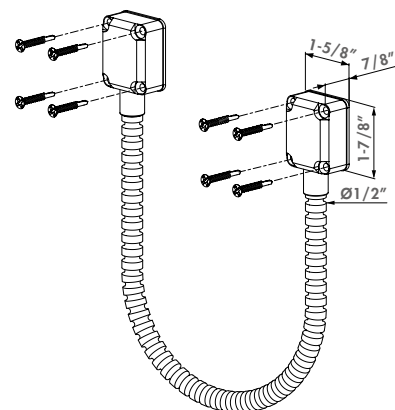
Specifications

- ✓ Stainless steel guiding cable for electrical wire
- ✓ Length of the cable: 17-5/8"
- ✓ Supplied with 8 self tapping screws
- ✓ Inner diameter: Ø 3/8"

Cable guide w/flex ss conduit

DVK

Stainless steel guiding cable to protect your electrical wires in an outside environment.



Recommended cable



Order code

DVK Stainless steel flex cable, 17-3/4" Long **24h SHIPPING**

2005
P. 47



**24h
SHIPPING**

Color options



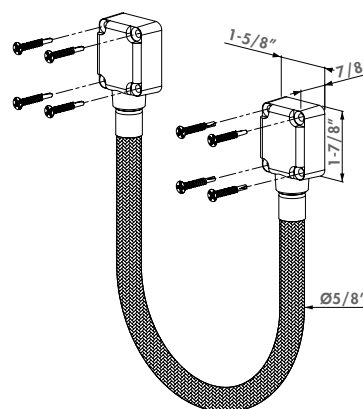
Specifications

- ✔ Vandal-proof, stainless steel, braided guiding cable
- ✔ Available with 17-3/4" or 25-9/16" braided cable
- ✔ Protects electrical wiring against vandalism, moist, dirt and vermin
- ✔ Strong fixation by means of 8 self-tapping stainless steel screws
- ✔ Cable entry: aluminum housing
- ✔ Inner diameter: $\text{Ø}3/8''$

Reinforced, braided stainless steel guiding cable

DVK-HD

Aesthetic and durable solution for the guidance of electrical wiring. Protects your wiring against dirt, moist and vandalism in an outside environment. The cable wraps around and protects the cabling of your electrical gate hardware and avoids the risk of short circuiting.



Recommended products



POWERSTONE-
P. 48

Order codes

DVK-HD-450 Reinforced stainless steel flex cable, 17-3/4" Long

DVK-HD-650 Reinforced stainless steel flex cable, 25-9/16" Long



Electrical wire

2005

Electrical cable; very flexible and weatherproof. Resists breaking and shorting out. Lasts longer than standard home wiring.

Specifications

- ✔ Length of the wire: 16-1/2ft
- ✔ 2 x 21 ga (0.75 mm | 1/32")
- ✔ Water resistant & weatherproof
- ✔ Tested at 500.000 bendings
- ✔ Kink resistant

Order code

2005 Electrical cable 196" - 2 x 21 ga (0.75 mm | 1/32")



Safety transformer 12V AC

AC-TRANS-12V-25W

Safety Transformer 12V - 25W

Specifications

- ✔ Mounting on DIN-rail or directly
- ✔ Power: 25W
- ✔ Primary voltage: 230V AC - Secondary voltage 12V AC
- ✔ Aluminum housing
- ✔ Robust control module: encapsulated for superior humidity resistance

Order code

AC-TRANS-12V-25W Transformer 12V AC - 25W



60W power supply

POWERSTONE-

High-quality 60W switching-mode power supply. Plug & Play installation guaranteed and integrated overload indicator.

Specifications

- ✓ Input: 110-240 VAC, 50-60Hz, 1.2A maximum
- ✓ Output: +24V DC, 2.5A maximum, 60W
- ✓ Resettable overload indicator
- ✓ Auxiliary 24V DC output available

Order code

POWERSTONE-24V-60W 60W power supply



All-in one 12V DC Access Module with integrated timer

DC-ACCESS-12V-20W

All-in-one, Plug&Play Access Module (230V AC). Including power supply and integrated timer with easy to read display and easy to operate: time range (1 to 99s) of switched state controlled by push buttons. A 12V DC Fail Open or Fail Close device can be easily connected to the module.

Specifications

- ✓ Mounting on DIN-rail or directly
- ✓ Time range (1 to 99s) of switched state controlled by push buttons
- ✓ Set time clearly visible on display
- ✓ Robust control module: encapsulated for superior humidity resistance
- ✓ Input voltage: 230V AC / Maximum output power: 20W

Order code

DC-ACCESS-12V-20W All-in one 12V DC Access Module with integrated timer



Safety power supply 12V and 13V DC

DC-POWER-12V-20W

Safety power supply 12V DC - 20W

Specifications

- ✓ Mounting on DIN-rail or directly
- ✓ Power: 20W
- ✓ Primary voltage: 230V AC - Secondary voltage 12V / 13V DC
- ✓ Robust control module: encapsulated for superior humidity resistance

Order code

DC-POWER-12V-20W Power supply 12 V DC - 20 W



**24h
SHIPPING**

Safety power supply 24V and 25V DC

DC-POWER-24V-25W

Safety power supply 24V DC - 25W

Specifications

- ✓ Mounting on DIN-rail or directly
- ✓ Power: 25W
- ✓ Primary voltage: 230V AC - Secondary voltage 24V / 25V DC
- ✓ Robust control module: encapsulated for superior humidity resistance

Order code

DC-POWER-24V-25W Power supply 24-25V DC - 25W **24h
SHIPPING**



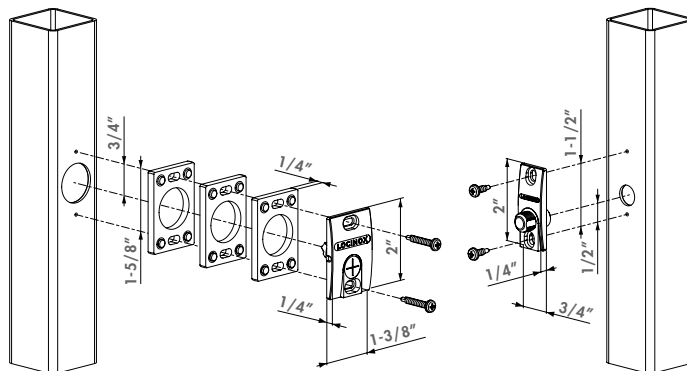
Position detection set for gates - Stand alone

GATESWITCH

Multi-purpose position detection set, consisting of a magnet and magnetic switch. This set can be easily connected to any electrical system like your access control or burglary system. The distance between the magnets can be easily changed by means of an adjustable magnet and included filler plates.

Specifications

- ✔ Possibility to activate led light when the sensor detects the magnet (requires 12V DC at the gate)
- ✔ Operates with Normally Open (N/O) or Normally Closed (N/C) contacts
- ✔ Required distance between the gate and the post is minimum 3/8" and maximum 2"
- ✔ Easy adjustment of distance between sensor and magnet by means of filling plates (fillers) and screwable magnet



Recommended power supplies



DC-POWER-12V-20W
P. 48

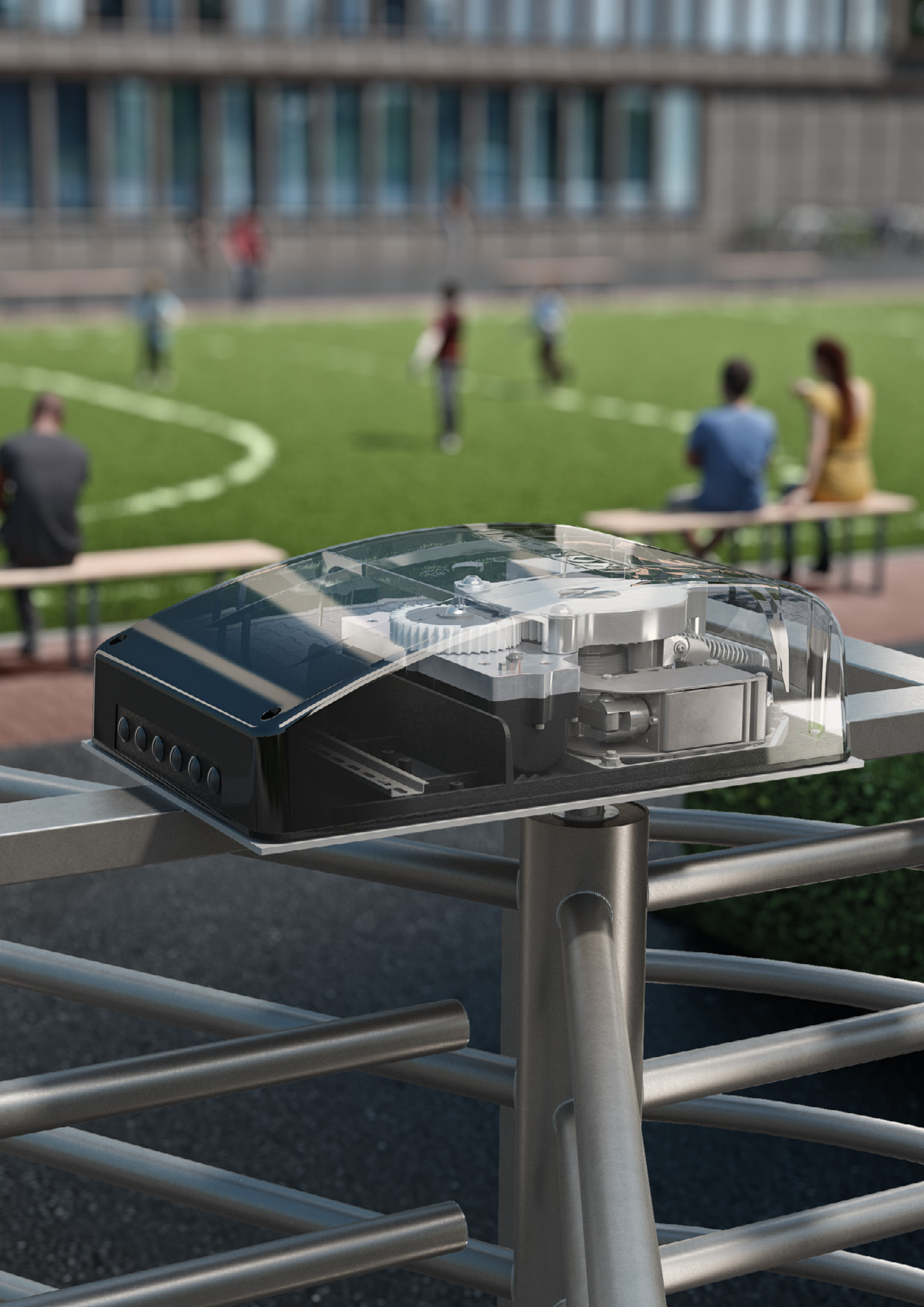


DC-ACCESS-12V-20W
P. 48

Order code

GATESWITCH For a min. gap of 3/8" and max. 2" between post and gate







TURNSTILES

The Locinox (electro)mechanical control unit allows you to easily create a maintenance free and high quality turnstile. You have an (electro)mechanical unit at your disposal with which you can match the design of your turnstile to the design of your fencing!



Modular (electro)mechanical control unit for turnstiles

TURNITEC (Patented)



The Locinox (electro)mechanical control unit (3-arm 120° or 4-arm 90°) allows you to easily create a maintenance free and high quality turnstile. You can match the design of your turnstile to the design of your fencing! The Turnitec mechanism is applicable to any turnstile and a quick installation is guaranteed. Thanks to the 100% modular design you can adapt the mechanism to your customers' desires. A comfortable and safe operation is guaranteed by the optional damping system that is unaffected by temperature changes.

Compatible Turnitec modules



TT-BM3S
P. 53



TT-BSP
P. 53



TT-DM3
P. 53



TT-FO2
P. 54



TT-FC2
P. 54



TT-MM3S
P. 54



TT-SAH
P. 54



TT-PIVOT
P. 54



TT-CL2
P. 53

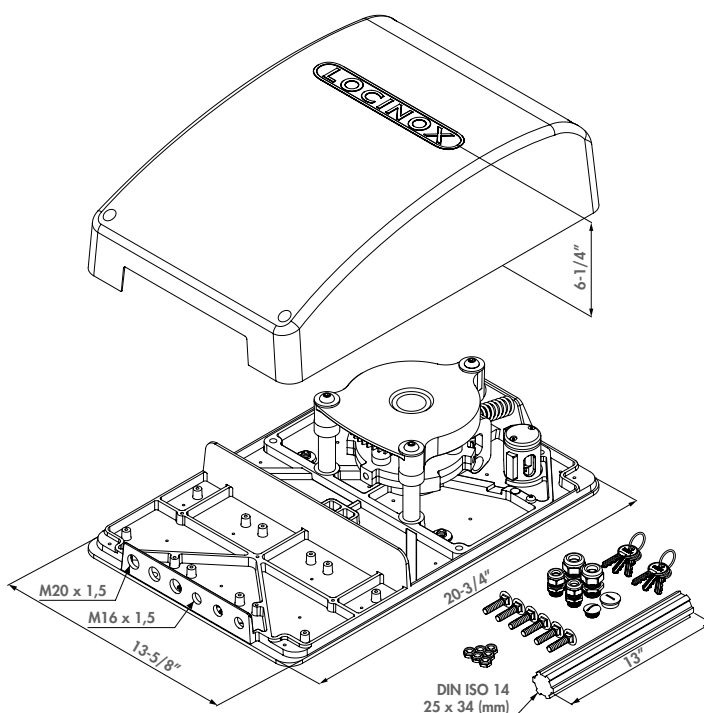
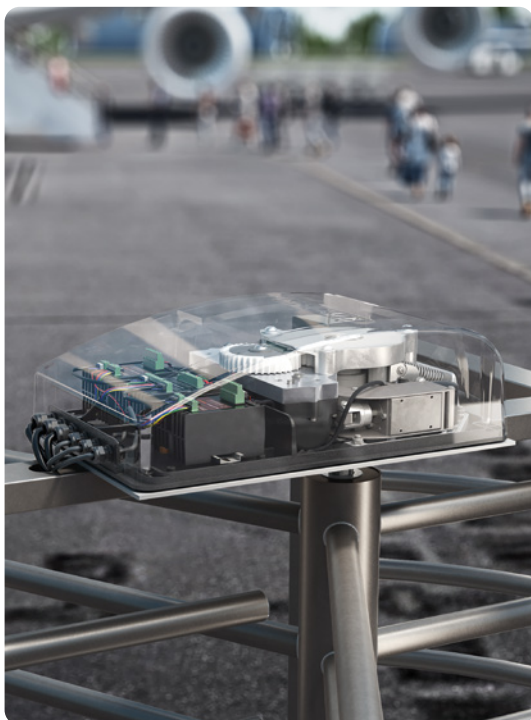
Specifications

- ✓ 100% modular system: composition according customers' desires and expandable at any moment
- ✓ Available for 3-arm (120°) and 4-arm (90°) turnstile
- ✓ Optional interchangeable left/right mechanical or electromechanical modules (Fail Open or Fail Close)
- ✓ Automatic return to starting position (by means of industrial pressure springs) after every passage
- ✓ Anti-passback security (locking after a 60° or 45° rotation): prevents the simultaneous passing of 2 persons
- ✓ Very robust implementation and strong connection with the turnstile by a 1-3/8" diameter spline axle (length 12-3/4")
- ✓ Manufactured completely in stainless parts (stainless steel and aluminum)
- ✓ Optional damping system guarantees smooth and gradual movements. Damping is continuous and unaffected by temperature changes (patented system)
- ✓ Possible to set signal duration
- ✓ IP55 housing protects the mechanism against water, dirt, wind, dust and vermin

Order code

TTEC-BMS-FO2-FC2-DM-CL2

Full option Turnitec, Base mechanism + 1 Fail Open module + 1 Fail Close module + Hydraulic damper + 1 Counter & Light module





TURNITEC base mechanism for 3-arm turnstile

TT-BM3S

With the TURNITEC base mechanism you can bi-directionally operate your turnstile free-turning. This 3-arm (120°) mechanism can be modular expanded with the mechanical and electromechanical locking modules and a hydraulic damper to further finetune the access control and usability of your turnstile.

Order code

TT-BM3S Base mechanism 3-arm 20-7/8" x 13-3/4" x 6-11/16" **24h SHIPPING**



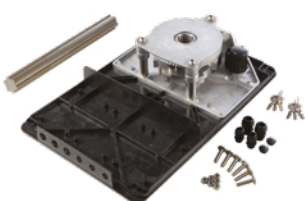
Hydraulic damper for TURNITEC for 3-arm turnstile

TT-DM3 (Patented)

Unique hydraulic damper for your TURNITEC mechanism. The patented system is unaffected by temperature changes. The first half of the rotation is undamped and the second half is damped progressively thanks to the continuous damping of the mechanism. This results in a fluent motion of the turnstile and avoids the turnstile hitting the users heels.

Order code

TT-DM3 Hydraulic damping module for TT-BM3 **24h SHIPPING**



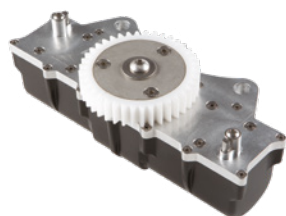
TURNITEC base mechanism for 4-arm turnstile

TT-SM4S

With the TURNITEC base mechanism you can bi-directionally operate your turnstile free-turning. This 4-arm turnstile (90°) mechanism can be modular expanded with the mechanical and electromechanical locking modules and a hydraulic damper to further finetune the access control and usability of your turnstile.

Order code

TT-SM4S Base mechanism 4-arm 20-7/8" x 13-3/4" x 6-11/16"



Hydraulic damper for TURNITEC for 4-arm turnstile

TT-SDM4 (Patented)

Unique hydraulic damper for your TURNITEC mechanism. The patented system is unaffected by temperature changes. The first half of the rotation is undamped and the second half is damped progressively thanks to the continuous damping of the mechanism. This results in a fluent motion of the turnstile and avoids the turnstile hitting the users heels.

Order code

TT-SDM4 Hydraulic damping module for TT-SM4S



Turnitec counter & passing light signals module

TT-CL2

Plug&Play module which enables connecting counters and passing light signals in both turning directions. A counter tells you how many people are on the terrain or how many rotations your turnstile made while passing light signals guarantee a swift, safe and correct use of the turnstile.

Order code

TT-CL2 Turnitec counter & passing lights module



TURNITEC welding plate in black steel

TT-BSP

Welding plate for TURNITEC mechanism for a flawless installation of the TURNITEC on any turnstile. The pre-lasered drilling pattern and cut-outs for the cylinders ensure a fast and error-free installation.

Order code

TT-BSP Black steel welding plate 20-7/8" x 13-3/4" x 3/16" **24h SHIPPING**



Fail Open electromodule for TURNITEC

TT-FO2

With the electromechanical module an operator has the ability to control incoming and outgoing traffic. Granting access or closing the system, changing the rotational direction and executing access control all can be managed easily with the TURNITEC module.

Order code

TT-FO2 Fail-Open access control electromodule



Fail Close electromodule for TURNITEC

TT-FC2

With the electromechanical module an operator has the ability to control incoming and outgoing traffic (Granting access, changing the rotational direction and executing access control). After authorisation the turnstile is unlocked electronically and visitors have access to the terrain.

Order code

TT-FC2 Fail-Close access control electromodule



**24h
SHIPPING**

Mechanical module for TURNITEC

TT-MM3S

This module for the TURNITEC mechanism offers the advantage of working completely mechanical. No power supply or cabling is needed. The release and locking of a direction of rotation is easy to set with a Europrofile cylinder lock. People can enter the terrain by pushing the turnstile arm.

Order code

TT-MM3S Mechanical access control module **24h
SHIPPING**



**24h
SHIPPING**

Hub for seamless connection with turnstile

TT-SAH

Hub for seamless connection of the Turnitec base mechanism with the spline axle and the turnstile.

Order code

TT-SAH Hub for seamless connection with turnstile **24h
SHIPPING**



**24h
SHIPPING**

Lower bearing and flange assembly for turnstiles

TT-PIVOT

Stainless steel bearing in a 11/16" thick aluminum baseplate. With bearings for a guaranteed smooth operation. Available with ball bearing or tapered roller bearing.

Order codes

TT-PIVOT-BB Lower ball bearing and flange assembly for full height turnstiles

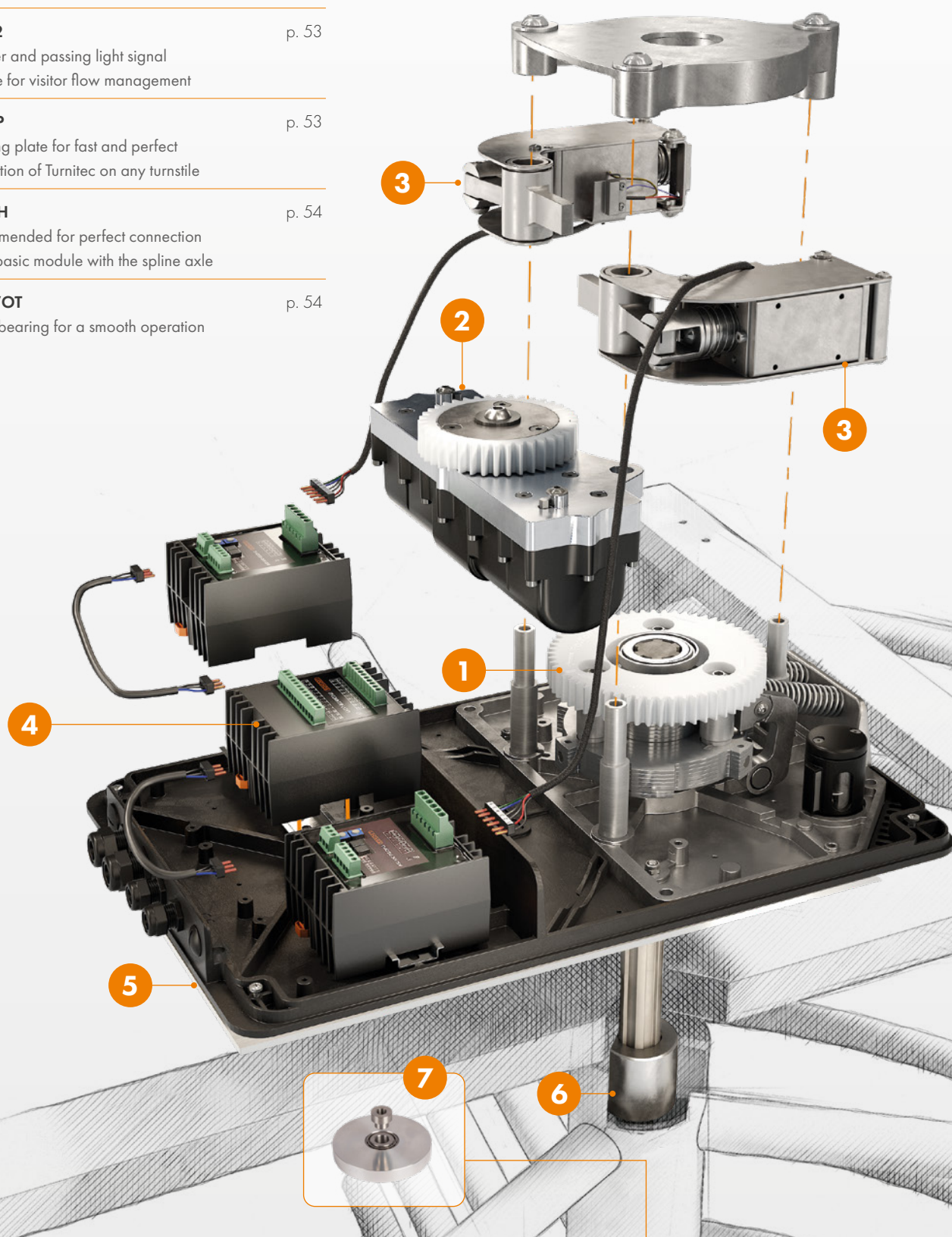
TT-PIVOT-CC Lower tapered roller bearing and flange assembly for full height turnstiles



(ELECTRO)MECHANICAL CONTROL UNIT FOR TURNSTILES

THE COMPLETE TURNITEC SOLUTION

- 1 TT-BM3S 120° / TT-SM4S 90°** p. 53
The essential module for any turnstile
- 2 TT-DM3 120° / TT-SDM4 90°** p. 53
Recommended hydraulic damping mechanism for extra user comfort
- 3 TT-FO1 / TT-FC1** p. 54
Fail Open or Fail Close electromechanical module for access control
- 4 TT-CL2** p. 53
Counter and passing light signal module for visitor flow management
- 5 TT-BSP** p. 53
Welding plate for fast and perfect installation of Turnitec on any turnstile
- 6 TT-SAH** p. 54
Recommended for perfect connection of the basic module with the spline axle
- 7 TT-PIVOT** p. 54
Lower bearing for a smooth operation







LOCKS

Locinox locks guarantee a well operating gate. Every lock is thoroughly tested excessively in our own test center where they are exposed to the most extreme circumstances. This ensures us that our locks will work in all weather conditions. We offer a variety of locks for garden gates, industrial gates or swimming pool gates. Locinox locks - the safest solution in fence protection.



i Industrial quality and modularity

1 30+ YEARS OF HIGH PRECISION ENGINEERING EXPERTISE

2 MAINTENANCE FREE
Fit & forget

3 3 YEARS PREMIUM WARRANTY

4 CORROSION RESISTANT
100% stainless steel internal mechanism. Lock box resistant to 1000+ hours of salt spray testing thanks to KTL coating

5 EASY INSTALLATION & 3/4" ADJUSTABILITY

6 DOUBLE LATCHING
Separate day and night bolt

7 WHEN LOCKED, RESISTING TO 2200 LBS LATERAL FORCES

8 PATENTED QUICK-FIX BOLTS
Resisting to forces up to 2200 lbs

9 SECURE LOCKING
1 inch throw in one turn of the key

10 1100LBS GUARANTEED TESTING

11 500+ CONFIGURATIONS AVAILABLE FROM STOCK
Shipment within 24h

12 STURDY HANDLES OUT OF ONE PIECE OF ANODIZED ALUMINUM

LAKQ U2

SAKL QF

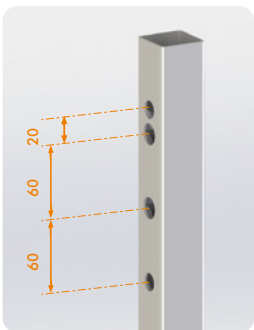
It gets even better.

Endless upgrades possible!

One drilling template for all our locks and keeps.

With this interchangeability, the Locinox lock gives you the opportunity to offer a solution for every situation.

1 easy installation method for all our locks



	ELECTRIC Surface mounted electric gate lock with fail open or close functionality		PANIC LOCK Surface mounted anti-panic lock for free exit		ORNAMENTAL Surface mounted ornamental gate lock
	DOUBLE CYLINDER Surface mounted gate lock with 2 cylinders		CHILD SAFETY Surface mounted gate lock with child proof security knob		PUSH HANDLE Aluminum push handle set
	CODE LOCK Surface mounted mechanical code lock		PUSH BAR Aluminum push bar for free exit		ELECTRIC CODE LOCK Surface mounted electric gate lock

Compatible with many keeps

	SMKL Polyamide garden gate keep		SHKL QF Adjustable security keep out of stainless steel		MODULEC-SA Surface mounted electric strike		MODULEC-SH Surface mounted electric security keep
---	---	---	---	---	--	---	---



Surface mounted gate lock

LAKQ U2 (Patented)

High quality gate lock with aluminum housing and stainless steel mechanism. We recommend this lock as the standard for your industrial gates. The latch and dead bolt have 3/4" continuous adjustment to allow perfect latching / locking of the mechanism. A stainless steel throw of 7/8" guarantees secure locking. Handle depends on color: silver locks ship standard with the modern aluminum anodized handle pair and all other colors ship with the black ornamental handle pair. The latch gap required is keep dependent, but the standard and security keeps require a 1-1/4" latch gap. For a fast and highly precise installation, we recommend using the Drill-Fix drilling jig.

24h
SHIPPING



Lock box color options



6005

6009

7016

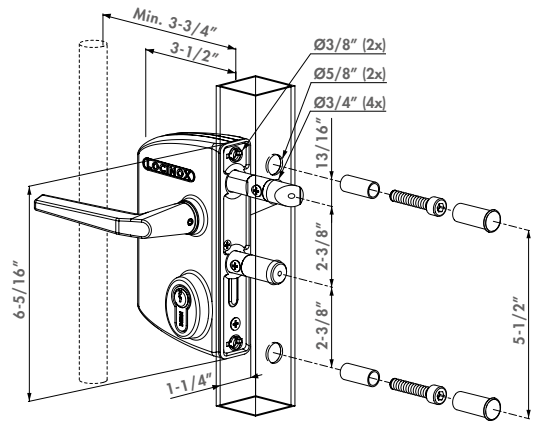
9005

9010



Specifications

- ✓ ISO 9227 KTL / E-coated lock box withstands 1000 hours of salt spray test
- ✓ Easy left or right changing of the self-latching daybolt
- ✓ Throw of the dead bolt, 7/8" in 1 turn of the key
- ✓ Key-operated self-latching bolt, allows Free Exit application
- ✓ 4-hole mounting with two hex head socket screws
- ✓ Center distance bolts: 2-3/8"
- ✓ Continuous adjustment of the daybolt up to 3/4" without removing the lock box
- ✓ Stainless steel mechanism



Locks for
swing gates

Recommended keeps



SAKL QF
P. 99



SHKL QF
P. 99



MODULEC-SA
P. 98

Order codes

For square profiles

LAKQ3030 U2L For profiles 1-1/4" to 2" **24h** SHIPPING

LAKQ4040 U2L For profiles 1-1/2" to 2-1/2" **24h** SHIPPING

LAKQ6060 U2L For profiles 2-1/2" to 3" **24h** SHIPPING

For round profiles

LARQ3030 U2L For profiles 1-1/4" to 2" **24h** SHIPPING

LARQ4040 U2L For profiles 1-1/2" to 2-1/2" **24h** SHIPPING

LARQ6060 U2L For profiles 2-1/2" to 3"

For flat profiles

LAPQ1010 U2L For profiles 3/8" to 1-1/4" **24h** SHIPPING



Recommended handles



3006B
P. 179



3006I
P. 180



3006D
P. 180



KIDLOC
P. 171

Easy exit handles & accessories



PUSHBAR-L
P. 175



3006PUSH
P. 174



ROLLTOP
P. 166



SHROUD-LA-
P. 185



Surface mounted gate lock for Swiss profile cylinder

LAKQ U3 (Patented)

Industrial lock with aluminum housing and stainless steel mechanism. This lock is delivered without a cylinder and is suitable for use with a 7/8" cylinder (Swiss profile cylinder). The latch and dead bolt have 3/4" continuous adjustment to allow perfect latching / locking of the mechanism. A stainless steel throw of 7/8" guarantees secure locking. Handle depends on color: silver locks ship standard with the modern aluminum handle pair and all other colors ship with the black ornamental handle pair. The latch gap required is keep dependent, but the standard and security keeps require a 1-1/4" latch gap. For a fast and highly precise installation, we recommend using the Drill-Fix drilling jig.

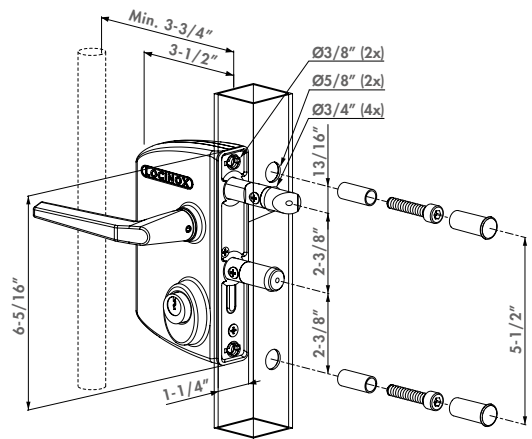


Lock box color options

ZILV 6005 6009 7016 9005 9010

Specifications

- ✓ ISO 9227 KTL / E-coated lock box withstands 1000 hours of salt spray test
- ✓ Easy left or right changing of the self-latching daybolt
- ✓ Lock box for Swiss profile cylinder (Ø7/8")
- ✓ Throw of the dead bolt, 7/8" in 1 turn of the key
- ✓ Key-operated self-latching bolt, allows Free Exit application
- ✓ 4-hole mounting with two hex head socket screws
- ✓ Center distance bolts: 2-3/8"
- ✓ Continuous adjustment of the daybolt up to 3/4" without removing the lock box
- ✓ Stainless steel mechanism



Recommended keeps



SHKL QF
P. 99



SAKL QF
P. 99



MODULEC-SA
P. 98

Order codes

For square profiles

LAKQ3030 U3L For profiles 1-1/4" to 2"

LAKQ4040 U3L For profiles 1-1/2" to 2-1/2"

LAKQ6060 U3L For profiles 2-1/2" to 3"

For round profiles

LARQ3030 U3L For profiles 1-1/4" to 2"

LARQ4040 U3L For profiles 1-1/2" to 2-1/2"

LARQ6060 U3L For profiles 2-1/2" to 3"

For flat profiles

LAPQ1010 U3L For profiles 3/8" to 1-1/4"



Recommended handles



3006M
P. 179



3006I
P. 180



3006B
P. 179



3006R
P. 180

Easy exit handles & accessories



PUSHBAR-L-
P. 175



3006PUSH
P. 174



SHROUD-LA-
P. 185



DRILL-FIX
P. 163



Surface mounted US Mortise cylinder gate lock (USA)

LUKY J5 (Patented)

Excellent gate lock with aluminum housing and stainless steel mechanism. Specially developed to use with a standard 1-1/8" Mortise cylinder. Comes standard with 5pin keyed alike or keyed different (drilled 6pin). The latch and dead bolt have 3/8" continuous adjustment to allow perfect alignment of the locking mechanism. A stainless steel throw of 7/8" guarantees secure locking. Black lock standard provided with 3006B handle (black anodized aluminum), silver comes with aluminum handle (3006M).

24h
SHIPPING

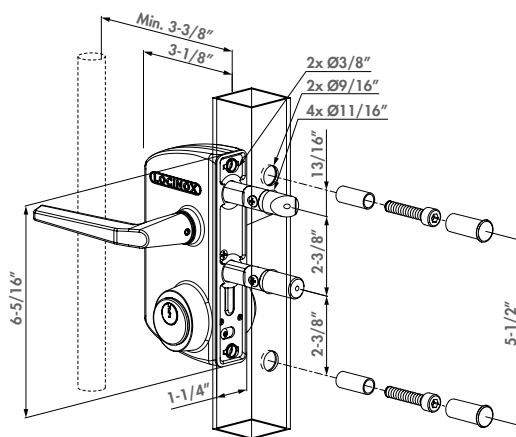


Lock box color options



Specifications

- ✓ ISO 9227 KTL / E-coated lock box withstands 1000 hours of salt spray test
- ✓ Gate Lock with double cylinder dead bolt. Designed for 1-1/8" Mortise profile cylinder
- ✓ Fixing cylinder inch thread 1/4"
- ✓ Easy left or right changing of the self-latching daybolt
- ✓ Throw of the dead bolt, 7/8" in 1 turn of the key
- ✓ Key-operated self-latching bolt, allows Free Exit application
- ✓ Adjustment of the bolts up to 3/8" continuous without removing the lock
- ✓ 4-hole mounting with two hex head socket screws
- ✓ Interchangeable with all Locinox locks
- ✓ The lock box requires a 3-3/8" spacing to the first picket, fitting nicely into most gates



Recommended keeps



SHKL QF
P. 99



SAKL QF
P. 99



MODULEC-SA
P. 98

Order code

For square profiles

LUKY3030 J5L For profiles 1-1/4" to 1-3/8" **24h** SHIPPING

LUKY4040 J5L For profiles 1-1/2" to 1-3/4" **24h** SHIPPING

LUKY5050 J5L For profiles 1-7/8" to 2" **24h** SHIPPING

LUKY6060 J5L For profiles 2-1/2" **24h** SHIPPING

For flat profiles

LUPY1010 J5L For profiles 3/8" **24h** SHIPPING

LUPY2020 J5L For profiles 7/8" to 1-1/8" **24h** SHIPPING



Recommended handles



3006M
P. 179



3006FA
P. 178



3006B
P. 179

Accessories



ROLLTOP
P. 166



LOCITOOL LA
P. 166



MRT-118
P. 195



DRILL-FIX
P. 163

Locks for
swing gates



Surface mounted double cylinder gate lock for swing gates

LDKZ D1

Industrial swing gate lock with aluminum housing and stainless steel mechanism with 2 cylinders. You only need to use 1 of the cylinders in order to open or to close the lock. This lock is ideal to use to provide entry to third parties like fire men or waste collectors. The double locking of the solid stainless steel night bolt ensures a secure closing.

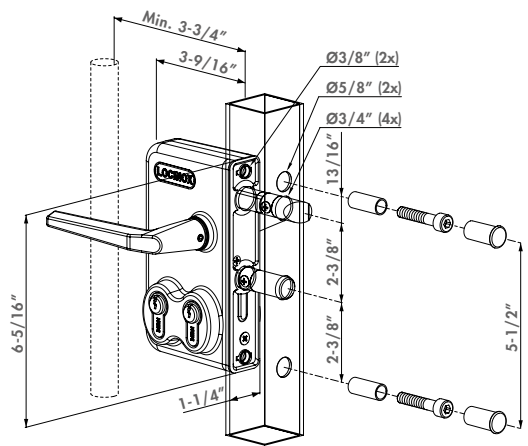


Lock box color options

ZILV 6005 7016 9005

Specifications

- ✓ ISO 9227 KTL / E-coated lock box withstands 1000 hours of salt spray test
- ✓ For gate profiles from 3/8" till 3-15/16"
- ✓ Stainless steel mechanism
- ✓ Non-adjustable latch and dead bolt
- ✓ Easy left or right changing of the self-latching daybolt
- ✓ Double throw of the night bolt 1"
- ✓ Key-operated self-latching bolt, allows Free Exit application
- ✓ 4-hole mounting with two hex head socket screws
- ✓ Interchangeable with all Locinox locks



Recommended keeps



SAKL QF
P. 99



SHKL QF
P. 99



MODULEC-SA
P. 98

Order codes

For square profiles

- LDKZ3030 D1L** For profiles of 1-1/4"
- LDKZ4040 D1L** For profiles of 1-1/2"
- LDKZ5050 D1L** For profiles of 2"
- LDKZ6060 D1L** For profiles of 2-3/8"
- LDKZ8080 D1L** For profiles of 3-1/8"
- LDKZ100100 D1L** For profiles of 4"

For round profiles

- LDRZ3030 D1L** For profiles of 1-1/4"
- LDRZ4040 D1L** For profiles of 1-1/2"
- LDRZ5050 D1L** For profiles of 2"
- LDRZ6060 D1L** For profiles of 2-3/8"

For flat profiles

- LDPZ1010 D1L** For profiles of 3/8"



Cylinders and accessories



3012-POC-
P. 192



3071-
P. 195



DRILL-FIX
P. 163



3970LA
P. 162



Surface mounted anti-panic gate lock

LPKQ U2

Stainless steel superior anti-panic lock with aluminum housing. EN179 certified configuration possible with LPKQ U2 for 1-9/16" & 2-3/8" gate frames with SAKL keep, 3006A-2 handle and 3012-54-STD- cylinder. Escape or exit from inside is possible at all times by operating the handle. Mechanical access from the outside is always possible by operating the cylinder. The 3/4" continuous adjustability of the bolts allows a perfect latching / locking of the mechanism. A solid stainless steel deadbolt with a 15/16" throw guarantees a secure locking. For a fast and highly precise installation, we recommend using the Drill-Fix drilling jig.

EN 179

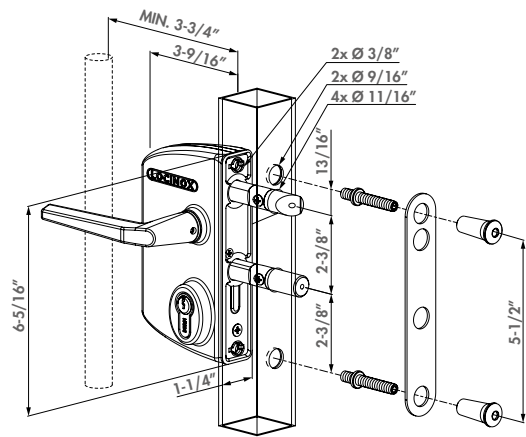


Lock box color options

ZILV 6005 6009 7016 9005 9010

Specifications

- ✔ ISO 9227 KTL / E-coated lock box withstands 1000 hours of salt spray test
- ✔ Easy left or right changing of the self-latching daybolt
- ✔ Throw of the dead bolt, 7/8" in 1 turn of the key
- ✔ Key-operated self-latching bolt, allows Free Exit application
- ✔ 4-hole mounting with two hex head socket screws
- ✔ Center distance bolts: 2-3/8"
- ✔ Continuous adjustment of the daybolt up to 3/4" without removing the lock box
- ✔ Stainless steel mechanism
- ✔ Tested up to 500 000 movements
- ✔ EN179 certified configuration available
- ✔ Panic function E / Switch function



Recommended keeps



SAKL QF
P. 99



SHKL QF
P. 99



MODULEC-SA
P. 98

Order codes

For square profiles

LPKQ4040 U2L For profiles 1-1/2" to 2-1/2"

LPKQ6060 U2L For profiles 2-1/2" to 3"

LPKQ8080 U2L For profiles 3" to 4"

LPKQ100100 U2L For profiles 4" to 4-1/2"



Recommended handles



PUSHBAR-L
P. 175



3006PUSH
P. 174



3006A-2
P. 178



SHROUD-LA-
P. 185

Accessories



ROLLTOP
P. 166



3970LA
P. 162



LOCITOOL LA
P. 166



DRILL-FIX
P. 163



COMING SOON

VALENTINO - Surface mounted battery powered code lock

LOKQ Y2 (Patent pending)

High quality battery powered electronic code lock with aluminum housing. Valentino's energy efficient design makes it very easy to equip any gate with access control, with a minimal need for maintenance. Pincodes can be easily added, modified or removed. The 13/16" continuous adjustability of the bolts allows a perfect latching / locking of the mechanism.



24h SHIPPING

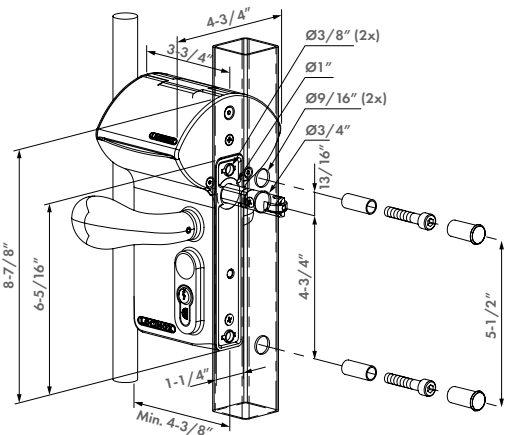


Color options

6005 9005 ZILV

Specifications

- ✔ ISO 9227 KTL / E-coated lock box withstands 1000 hours of salt spray test
- ✔ Weather protected illuminated electronic code panel on both sides
- ✔ Extremely strong and vandal proof design
- ✔ Energy efficient, with up to 150,000 open/close cycles on same set of batteries
- ✔ Operates on batteries, battery pack included
- ✔ Easy and fast set-up or modification of the access codes
- ✔ Low battery warning light
- ✔ Support for free-exit, pushbar, and code controlled handles
- ✔ Key-operated unlocking and programming functionality
- ✔ Supports permanently open codes
- ✔ Different entrance and exit codes possible



Locks for swing gates

Recommended keeps



SACL QF
P. 99



SHKL QF
P. 99

Order codes

For square profiles

LOKQ3030 Y2L For profiles 1-1/4" to 2"

LOKQ4040 Y2L For profiles 1-1/2" to 2-1/2"

LOKQ6060 Y2L For profiles 2-1/2" to 3"

For round profiles

LORQ3030 Y2L For profiles 1-1/4" to 2"

LORQ4040 Y2L For profiles 1-1/2" to 2-1/2"

LORQ6060 Y2L For profiles 2-1/2" to 3"



Recommended handles



3006C
P. 179



3006I
P. 180



3006D
P. 180

Compatible with every gate closer



SAMSON-2
P. 18



VERTICLOSE-2
P. 22



MAMMOTH-180
P. 14



TIGER
P. 13



VINCI - Surface mounted mechanical code lock

LMKQ V2 (Patented)

High quality mechanical code lock for swing gates with aluminum housing and stainless steel mechanism. This lock is 100% mechanical, so no batteries or electricity are required, which makes it very easy to equip any gate with access control. The dead bolt is used to override the code panel and secure the gate. The latch and dead bolt have 3/4" continuous adjustment to allow perfect latching / locking of the mechanism. A stainless steel throw of 7/8" guarantees a secure locking. Ships standard with the Club handle pair. The latch gap required is keep dependent, but the standard and security keeps require a 1-1/4" latch gap.

24h
SHIPPING

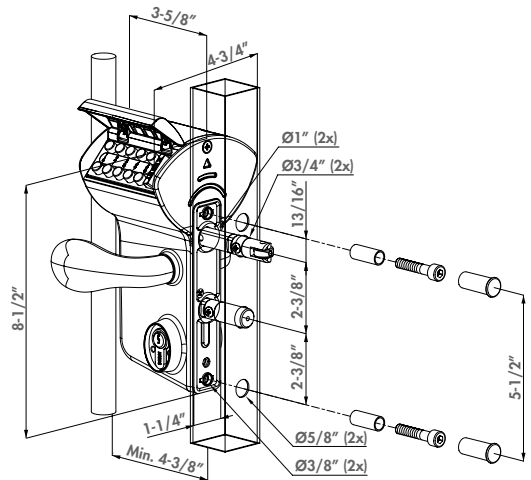


Lock box color options



Specifications

- ✓ ISO 9227 KTL / E-coated lock box withstands 1000 hours of salt spray test
- ✓ Operational code panel on both sides
- ✓ Independent entrance and exit codes
- ✓ Polyamide rain and dust cover
- ✓ Easy and fast set-up or modification of the access codes
- ✓ With adjustable rollerbolt for easy closing
- ✓ Extremely strong and user-friendly mechanism
- ✓ Automatic code reset after opening by means of the handle
- ✓ Anti-code detection with integrated security press plate
- ✓ Interchangeable with all Locinox locks



Recommended keeps



SAKL QF
P. 99



SHKL QF
P. 99

Order codes

For square profiles

LMKQ3030 V2L For profiles 1-1/4" to 2" **24h SHIPPING**

LMKQ4040 V2L For profiles 1-1/2" to 2-1/2" **24h SHIPPING**

LMKQ6060 V2L For profiles 2-1/2" to 3" **24h SHIPPING**

For round profiles

LMRQ3030 V2L For profiles 1-1/4" to 2"

LMRQ4040 V2L For profiles 1-1/2" to 2-1/2" **24h SHIPPING**

LMRQ6060 V2L For profiles 2-1/2" to 3"

For flat profiles

LMPQ1010 V2L For profiles 3/8" to 1-1/4" **24h SHIPPING**



Recommended handles



3006C
P. 179



3006I
P. 180



3006D
P. 180

Compatible with every gate closer



SAMSON-2
P. 18



VERTICLOSE-2
P. 22



MAMMOTH-180
P. 14



TIGER
P. 13



FREE VINCI - Surface mounted mechanical code lock with secured entrance and free exit

LFKQ X1 (Patented)

One sided code mechanical code lock (Free Exit) for swing gates with aluminum housing and stainless steel mechanism. The Free Vinci offers you the ability to secure one side with a code for entrance while leaving the other side free for exit. This lock is 100% mechanical, so no batteries nor electricity are required, which makes it very easy to equip any gate with access control. The latch bolt has 3/4" continuous adjustment to allow perfect alignment of the locking mechanism. Ships standard with the Club handle for the secure "code" side and a round knob for the exit side. The PUSH handle is available for the exit side. The latch gap required is keep dependent, but the standard and security keeps require a 1-1/4" latch gap.

24h
SHIPPING

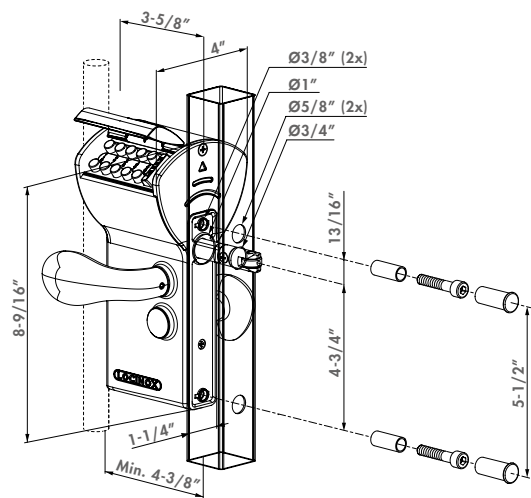


Lock box color options



Specifications

- ✓ ISO 9227 KTL / E-coated lock box withstands 1000 hours of salt spray test
- ✓ Entrance secured by code, free exit
- ✓ Code panel with stainless steel push buttons on one side
- ✓ Polyamide rain and dust cover
- ✓ Easy and fast set-up or modification of the access codes
- ✓ With adjustable rollerbolt for easy closing
- ✓ Extremely strong and user-friendly mechanism
- ✓ Automatic code reset after opening by means of the handle
- ✓ Anti-code detection with integrated security press plate
- ✓ Interchangeable with all Locinox locks



Locks for
swing gates

Recommended keeps



SAKL QF
P. 99



SHKL QF
P. 99

Order codes

For square profiles

LFKQ3030 X1L For profiles 1-1/4" to 2" **24h** SHIPPING

LFKQ4040 X1L For profiles 1-1/2" to 2-1/2" **24h** SHIPPING

LFKQ6060 X1L For profiles 2-1/2" to 3" **24h** SHIPPING

For round profiles

LFRQ3030 X1L For profiles 1-1/4" to 2"

LFRQ4040 X1L For profiles 1-1/2" to 2-1/2" **24h** SHIPPING

LFRQ6060 X1L For profiles 2-1/2" to 3"

For flat profiles

LFPQ1010 X1L For profiles 3/8" to 1-1/4" **24h** SHIPPING



Accessories



PUSHBAR-L
P. 175



3006PUSH
P. 174



SHROUD-LF-
P. 185

i Sets

Locinox supports you in your logistic process. Select and compose your own gate hardware set and avoid stock ruptures or false deliveries of gate components to your customers. The set components are all together and, above all, packed in a robust and weatherproof box. If you wish, your logo can be put on the box for a maximal support of your brand. We will be glad to add your manuals or any other information according to your needs.



100% modular



Time-saving



No research work

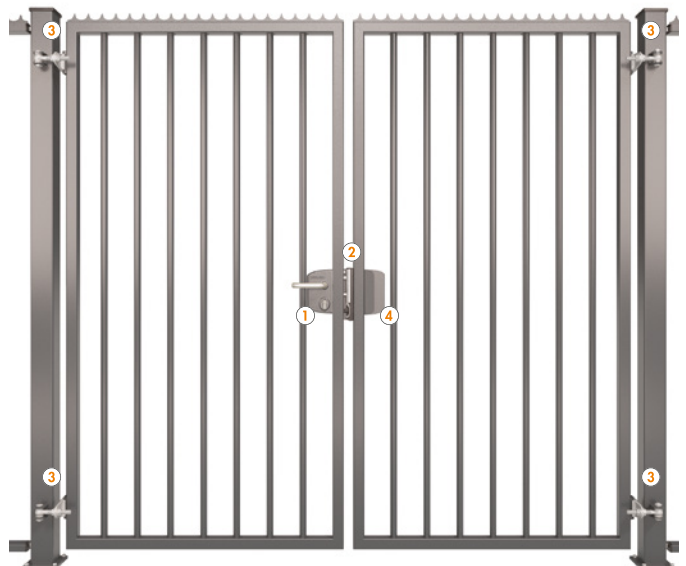
Garden gate - box set



1 gate wing - foil set



2 gate wings - foil set





Surface mounted electric gate lock with Fail Open functionality

LEKQ U4 (Patented)

Electrical lock with aluminum housing and stainless steel mechanism. The lock functions as a "buzz in - buzz out" device and connects to any 12 Volt control system. The handles are blocked when the lock is powered. The dead bolt is used to override the control system and secure the gate. The latch and dead bolt have 3/4" continuous adjustment to allow perfect latching / locking of the mechanism. A stainless steel throw of 7/8" guarantees secure locking. Ships standard with the round knob handle set. The latch gap required is keep dependent, but the standard and security keeps require a 1-1/4" latch gap.

24h
SHIPPING



Lock box color options



6005

6009

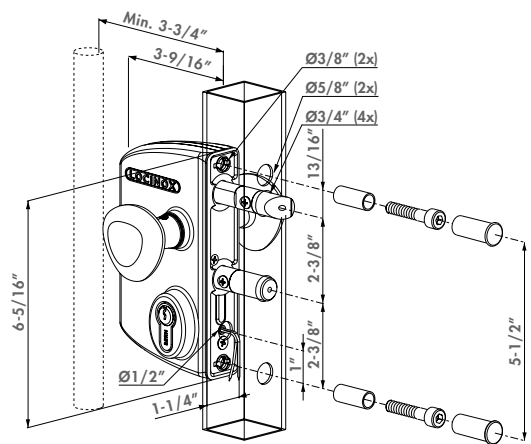
7016



9010

Specifications

- ✔ ISO 9227 KTL / E-coated lock box withstands 1000 hours of salt spray test
- ✔ Fail Open: Lock is open when power is interrupted
- ✔ Blocking or releasing of the handles
- ✔ Easy left or right changing of the self-latching daybolt
- ✔ Throw of the dead bolt, 7/8" in 1 turn of the key
- ✔ Key-operated self-latching bolt, allows Free Exit application
- ✔ Continuous adjustment of the daybolt up to 3/4" without removing the lock box
- ✔ 4-hole mounting with two hex head socket screws
- ✔ Interchangeable with all Locinox locks
- ✔ Voltage: 12V AC/DC
- ✔ Current: 0.3A



Recommended keeps



SAKL QF
P. 99



SHKL QF
P. 99

Order codes

For square profiles

LEKQ3030 U4L For profiles 1-1/4" to 2" **24h** SHIPPING

LEKQ4040 U4L For profiles 1-1/2" to 2-1/2" **24h** SHIPPING

LEKQ6060 U4L For profiles 2-1/2" to 3"

For round profiles

LERQ3030 U4L For profiles 1-1/4" to 2"

LERQ4040 U4L For profiles 1-1/2" to 2-1/2"

LERQ6060 U4L For profiles 2-1/2" to 3"



Recommended handles & cable guiding



3006R
P. 180



DVK
P. 46



DVK-HD
P. 47

Recommended power supplies



DC-ACCESS-12V-20W
P. 48



AC-TRANS-12V-25W
P. 47



DC-POWER-12V-20W
P. 48



2





Surface mounted electric gate lock with Fail Close functionality

LIKQ U2 (Patented)

Electric lock with aluminum housing and stainless steel mechanism. The lock functions as a "buzz in - buzz out" device and connects to any 12 Volt control system. The handles are blocked when the lock has no power (Fail Close). The dead bolt is used to override the control system and secure the gate. The latch and dead bolt have 3/4" continuous adjustment to allow perfect latching / locking of the mechanism. A stainless steel throw of 7/8" guarantees secure locking. Ships standard with the round knob handle set. The latch gap required is keep dependent, but the standard and security keeps require a 1-1/4" latch gap.

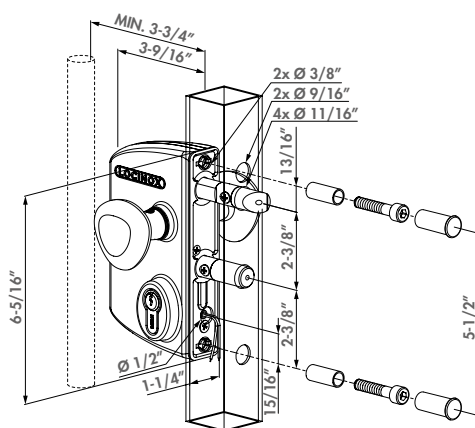


Lock box color options

ZILV 6005 6009 7016 9005 9010

Specifications

- ✔ ISO 9227 KTL / E-coated lock box withstands 1000 hours of salt spray test
- ✔ Fail Close: Lock is closed when power is interrupted
- ✔ Blocking or releasing of the handles
- ✔ Easy left or right hand changing
- ✔ Throw of the dead bolt, 7/8" in 1 turn of the key
- ✔ Key-operated self-latching bolt, allows Free Exit application
- ✔ Continuous adjustment of the daybolt up to 3/4" without removing the lock box
- ✔ 4-hole mounting with two hex head socket screws
- ✔ Voltage: 12V AC/DC
- ✔ Current: 0.3A



Locks for swing gates

Recommended keeps



SAKL QF
P. 99



SHKL QF
P. 99

Order codes

For square profiles

LIKQ3030 U2L For profiles 1-1/4" to 2"

LIKQ4040 U2L For profiles 1-1/2" to 2-1/2"

LIKQ6060 U2L For profiles 2-1/2" to 3"

For round profiles

LIRQ3030 U2L For profiles 1-1/4" to 2"

LIRQ4040 U2L For profiles 1-1/2" to 2-1/2"

LIRQ6060 U2L For profiles 2-1/2" to 3"



Recommended handles & cable guiding



3006R
P. 180



DVK
P. 46



DVK-HD
P. 47

Recommended power supplies



DC-ACCESS-12V-20W
P. 48



AC-TRANS-12V-25W
P. 47



DC-POWER-12V-20W
P. 48



Small surface mounted ornamental gate lock

LAKY F2 (Patented)

Ornamental lock with aluminum housing and stainless steel mechanism. We recommend this lock as the standard for your ornamental gates as it only requires a 3-3/8" spacing to the first picket and will fit nicely into most gates. The latch and dead bolt have 3/8" continuous adjustment to allow perfect latching / locking of the mechanism. A stainless steel throw of 7/8" guarantees secure locking. Ships standard with the black zamac ornamental handle pair. The latch gap required is keep dependent, but the standard and security keeps require a 1-1/4" latch gap.

24h
SHIPPING

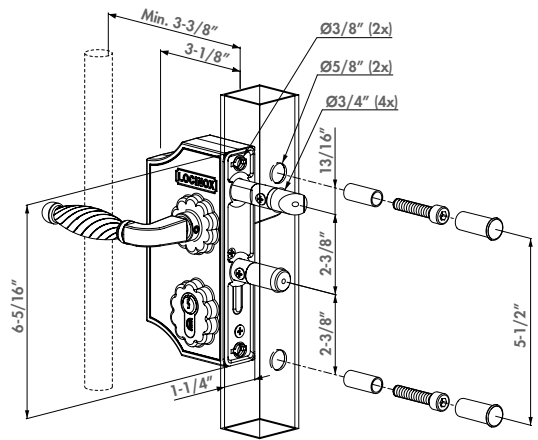


Lock box color options

- ZILV
- 6005
- 6009
- 7016
- 9005 24h SHIPPING
- 9010

Specifications

- ✓ ISO 9227 KTL / E-coated lock box withstands 1000 hours of salt spray test
- ✓ Easy left or right changing of the self-latching daybolt
- ✓ Throw of the dead bolt, 7/8" in 1 turn of the key
- ✓ Adjustment of the bolts up to 3/8" continuous without removing the lock
- ✓ Key-operated self-latching bolt, allows Free Exit application
- ✓ 4-hole mounting with two hex head socket screws
- ✓ Center distance bolts: 2-3/8"



Recommended keeps



SPKZ QF
P. 102



SPKZ-TK
P. 102



MODULEC-SA
P. 98

Order codes

For square profiles

- LAKY3030 F2L** For profiles 1-1/4" to 1-3/8" 24h SHIPPING
- LAKY4040 F2L** For profiles 1-1/2" to 1-3/4" 24h SHIPPING
- LAKY5050 F2L** For profiles 1-7/8" to 2" 24h SHIPPING

For round profiles

- LARY3030 F2L** For profiles 1-1/4" to 1-3/8"
- LARY4040 F2L** For profiles 1-1/2" to 1-3/4"
- LARY5050 F2L** For profiles 1-7/8" to 2"

For flat profiles

- LAPY1010 F2L** For profiles 3/8" 24h SHIPPING



Compatible handles



3006FA
P. 178



3006I
P. 180



KIDLOC
P. 171



3006B
P. 179

Ornamental hinges



G-ORNA-LR
P. 132



G-ORNA-WP
P. 132



Large surface mounted ornamental gate lock

LAKQ H2 (Patented)

Ornamental lock with aluminum housing and stainless steel mechanism. We recommend this wider ornamental lock for gates that have 3-3/4" spacing to the first picket on ornamental gates. The latch bolt and dead bolt have 3/4" continuous adjustment to allow perfect alignment of the locking mechanism. A stainless steel throw of 7/8" guarantees secure locking. Ships standard with the black zamac ornamental handle pair. The latch gap required is keep dependent, but the standard and security keeps require a 1-1/4" latch gap.

24h
SHIPPING

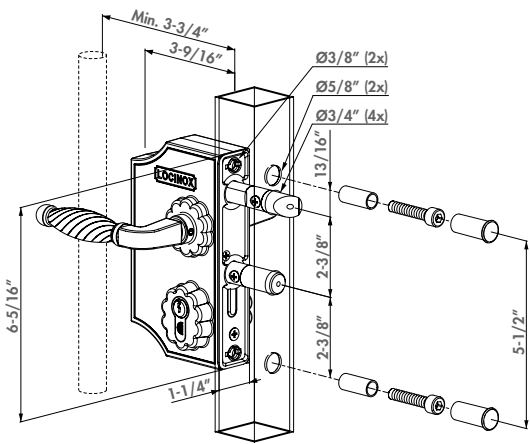


Lock box color options

ZILV 6005 6009 7016 9005 9010

Specifications

- ✔ ISO 9227 KTL / E-coated lock box withstands 1000 hours of salt spray test
- ✔ Easy left or right changing of the self-latching daybolt
- ✔ Throw of the dead bolt, 7/8" in 1 turn of the key
- ✔ Continuous adjustment of the daybolt up to 3/4" without removing the lock box
- ✔ Key-operated self-latching bolt, allows Free Exit application
- ✔ 4-hole mounting with two hex head socket screws
- ✔ Center distance bolts: 2-3/8"



Locks for
swing gates

Recommended keeps



SPKZ QF
P. 102



SPKZ-TK
P. 102



MODULEC-SA
P. 98

Order codes

For square profiles

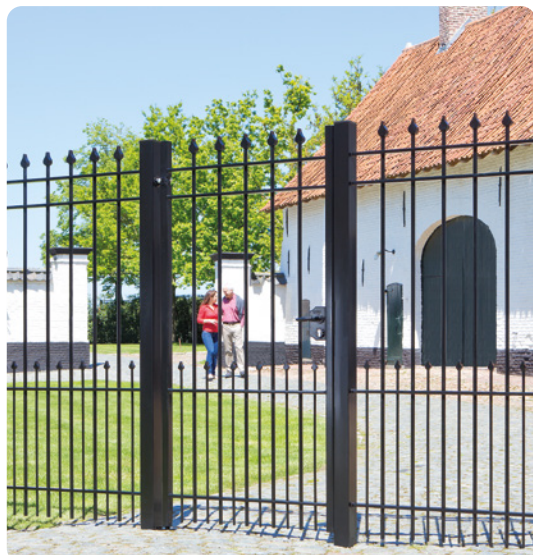
- LAKQ3030 H2L** For profiles 1-1/4" to 2" **24h** SHIPPING
- LAKQ4040 H2L** For profiles 1-1/2" to 2-1/2" **24h** SHIPPING
- LAKQ6060 H2L** For profiles 2-1/2" to 3" **24h** SHIPPING

For round profiles

- LARQ3030 H2L** For profiles 1-1/4" to 2"
- LARQ4040 H2L** For profiles 1-1/2" to 2-1/2"
- LARQ6060 H2L** For profiles 2-1/2" to 3"

For flat profiles

- LAPQ1010 H2L** For profiles 3/8" to 1-1/4" **24h** SHIPPING



Compatible handles



3006FA
P. 178



3006D
P. 180



KIDLOC
P. 171



3006B
P. 179

Ornamental hinges



G-ORNA-LR
P. 132



G-ORNA-WP
P. 132



Lock box color options

- 6005 6009 7016 7040 9005 9010

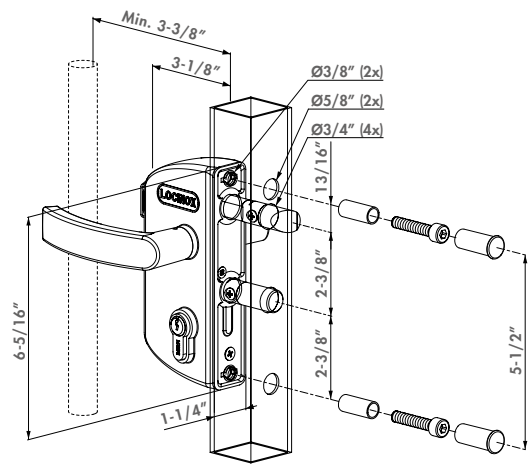
Specifications

- ✔ Easy left or right changing of the self-latching daybolt
- ✔ Throw of the dead bolt, 7/8" in 1 turn of the key
- ✔ 4-hole mounting with two hex head socket screws
- ✔ Polyamide lock box and handles
- ✔ Center distance bolts: 2-3/8"
- ✔ For 1-1/2" gate profiles only
- ✔ Interchangeable with all Locinox locks
- ✔ No key operation of the latch bolt

Surface mounted garden gate lock

LAKZ P1

Economical garden walk gate lock with polyamide housing and non-adjustable stainless steel mechanism. This lock is recommended for all your small gates and for residential gates where price is a driving issue. A stainless steel throw of 7/8" guarantees secure locking. Ships standard with the black poly handle pair. The latch gap required is keep dependent, but the SMKL polyamide keep requires a 1-1/8" latch gap.



Recommended keeps



SMKL QF
P. 100

SKRZ
P. 100

SAKL QF
P. 99

Order codes

For square profiles

LAKZ4040 P1L For profiles of 1-1/2"

For round profiles

LARZ4040 P1L For profiles of 1-1/2"



Recommended handles



3006P
P. 180

3006G
P. 180

KIDLOC
P. 171

Accessories



3006PC
P. 101

3970LA
P. 162

DRILL-FIX
P. 163

ROLLTOP
P. 166



Surface mounted child safety lock

LAKZ P1 WSI (Patented)

Child safety lock with non-adjusting stainless steel mechanism and polyamide housing. This lock conforms to the European swimming pool standard NF P90-306. The Kidloc handle set prevents the access to the pool for small children. The unique rollerbolt reduces latch resistance allowing the gate close easier. A stainless steel throw of 7/8" guarantees secure locking. Ships standard with the Kidloc handle pair. The latch gap required is keep dependent, but the SMKL polyamide keep requires a 1-1/8" latch gap.

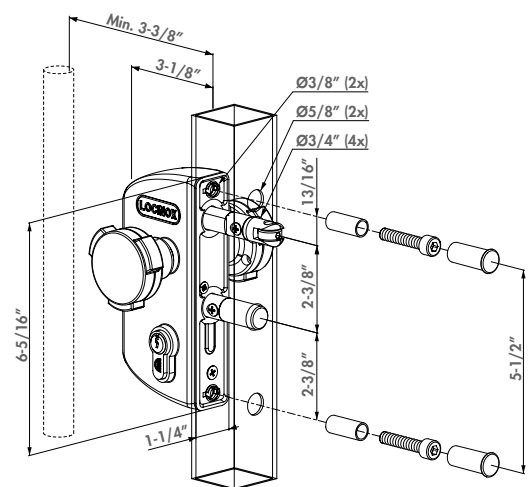


Lock box color options

6005 6009 7016 7040 9005 9010

Specifications

- ✔ Stainless steel lock mechanism, Fixed, non-adjustable latch/dead bolts
- ✔ Polyamide lock box
- ✔ With adjustable rollerbolt for easy closing
- ✔ With Kidloc: child safety handle for swimming pools
- ✔ A complete package including a high quality stainless steel lock with a security knob and a stainless steel rollerbolt. Conforms to swimming pool standard NF P90-306



Recommended keeps



SMKL QF
P. 100

SKRZ
P. 100

Order codes

LAKZ4i4i P1L WSI For profiles of 1-1/2"

LAKZ5i5i P1L WSI For profiles of 2"



Recommended gate closers



TIGER
P. 13

MAMMOTH-180
P. 14

LION
P. 20

SWING40
P. 140

Accessories



KIDLOC
P. 171

ROLLTOP
P. 166

3970LA
P. 162

DRILL-FIX
P. 163



Sleek & sturdy child safe magnetic latch for pools & parks

FORTIMA- (Patented)

The Fortima is a magnetic child-safe gate latch that ensures safety, security and ease of entrance for single leaf gates. Fortima's patented internal leverage allows for smooth opening and, with its unmatched magnetic force, closes securely. The anodized aluminum and powder coated components make the Fortima as attractive as it is functional. Installation is easy on a wide range of gate materials and being compatible with most international code requirements, the Fortima can be rekeyed to match any existing lock.

24h
SHIPPING

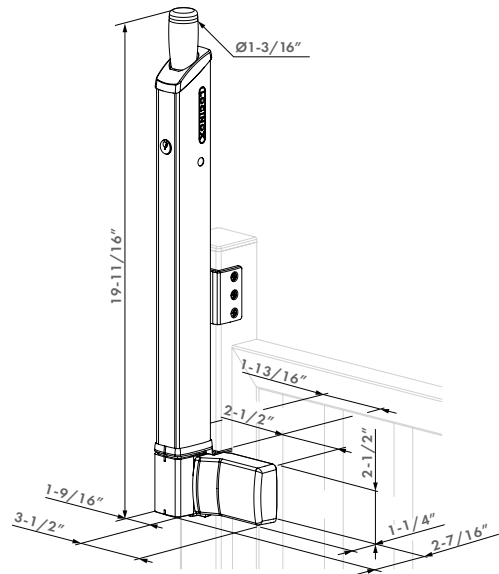


Color options



Specifications

- ✔ Unique and extremely durable patented design with anodized aluminum housing
- ✔ Strongest magnetic force on the market: magnetic distance of 1-1/4" (2x industry standard!)
- ✔ Tested up to 2 million cycles - Limited Lifetime Warranty!
- ✔ Rekeyable to match any lock: Schlage-C Key-in-knob cylinder (5pin, drilled 6pin)
- ✔ Full vertical adjustability and 1" horizontal adjustability - a gap of 3/8" up to 1-3/8"
- ✔ Push down prevention: only opens when magnet is pulled up, adding additional security
- ✔ Perfect for metal, vinyl or wooden gates, available for round (R) and square (K) posts



Compatible cylinders



KIK-114-
P. 194

3012-54-STD
P. 192

Order codes

FORTIMA-SD-K	Child safe magnetic latch, with KIK cylinder and self-drilling screws for square posts
FORTIMA-SD-R	Child safe magnetic latch, with KIK cylinder and self-drilling screws for round posts
FORTIMA-QF	Child safe magnetic latch, with Europrofile cylinder and Quick-Fix bolts for square posts



Compatible gate closers



TIGER
P. 13



SERVAL
P. 25



CARACAL
P. 24



SWING40
P. 140



Sleek and sturdy child safe magnetic latch for pools and parks

GUARDIMA- (Patented)

The GuardiMa is a magnetic child-safe gate latch ensuring safety and security for single leaf gates. GuardiMa is installed on the gate and its patented internal leverage allows for smooth opening and closing, thanks to its unmatched magnetic force. The anodized aluminum and powder coated components make the GuardiMa as attractive as it is functional, adding elegance and value to your pool, park, playground or back yard. Thanks to Quick-Fix, installation is easy and firmly on a wide range of gate materials and is compatible with most international code requirements.

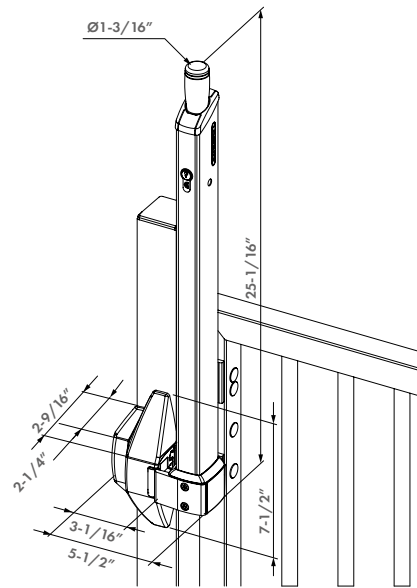


Color options

9005

Specifications

- ✔ Magnetic latch installed on the gate
- ✔ Extreme weather resistance in any climate
- ✔ Unique and extremely durable patented design with anodized aluminum housing
- ✔ Strongest magnetic force on the market: magnetic distance of 1-1/4" (2x industry standard!)
- ✔ Tested up to 2 million cycles
- ✔ Full 1-3/16" vertical adjustability and 1-3/16" horizontal adjustability - a gap of 15/16" up to 1-3/4"
- ✔ Push down prevention: only opens when magnet is pulled up, adding additional security
- ✔ Meets international standards for pool gates (always confirm with the respective authorities)



Compatible cylinders



3012-54-STD

P. 192

Order codes

GUARDIMA-FM Sleek and sturdy child safe magnetic latch for pools and parks - Flush mounted

Compatible gate closers



TIGER
P. 13



SERVAL
P. 25



CARACAL
P. 24



SWING40
P. 140





24h
SHIPPING

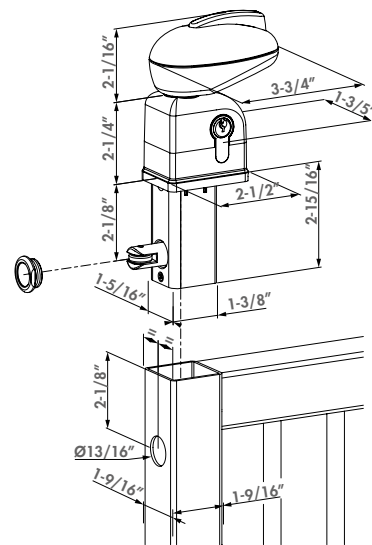


Lock box color options



Specifications

- ✔ Stainless steel lock mechanism
- ✔ Stainless steel rollerbolt: Reduces latch resistance and allows the gate close easier
- ✔ We strongly advise you to read the swimming pool standard NF P90-306 before manufacturing any swimming pool gate
- ✔ For 1-1/2" gate profiles only
- ✔ Maximum profile thickness: 5/64"



Recommended keeps



STK QF
P. 104



STR60 QF
P. 104

Order code

TWIST40 For profiles of 1-1/2" **24h** SHIPPING



Recommended gate closers



CARACAL
P. 24



TIGER
P. 13



VERTICLOSE-2
P. 22



SWING40
P. 140

Compatible hinges



SERVAL
P. 25



GBM 12
P. 141



GBM12-DP
P. 141



GBM 16-DP
P. 142



LEONARDO - Mechanical code lock for sliding gates

LLKZ V2 (Patented)

Mechanical code lock for sliding gates with aluminum housing and stainless steel mechanism. Since this lock is 100% mechanical, no electricity or batteries are required, so this system gives you the opportunity to equip any sliding gate with access control. The dead bolt is used to override the code panel and secure the gate. The unique Twistfinger catch bolt and self-correcting keep ensures latching of your sliding gate. Catch bolts are available to fit gate frame profiles from 1-1/2" to 5" wide. Works with cantilever gate systems or fixed roller systems. Ships standard with the Club handle pair.

24h
SHIPPING



Lock box color options



6005

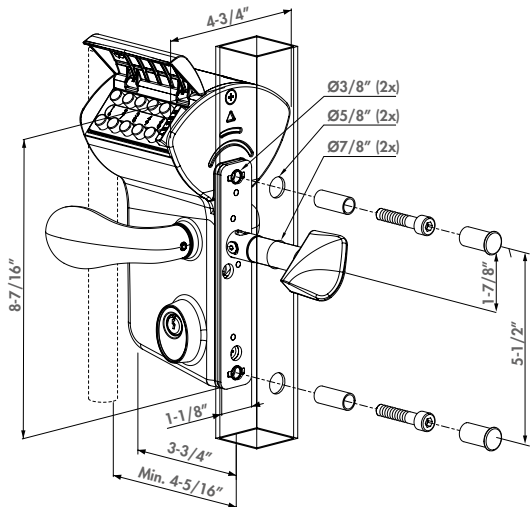
7016

9005



Specifications

- ✓ 100% mechanical: no battery or electricity required
- ✓ Adjustable for horizontal or vertical mounting of the keep (catch bolt)
- ✓ Operational code panel on both sides
- ✓ Independent entrance and exit codes
- ✓ Equipped with dust and rain covers
- ✓ Easy and fast set-up or modification of the access codes
- ✓ Accepts 4 to 6 digit code combinations
- ✓ Extremely strong and user-friendly mechanism
- ✓ Automatic code reset after opening by means of the handle
- ✓ Anti-code detection with integrated security press plate
- ✓ Stainless steel collar around the Twistfinger prevents cutting through the Twistfinger (catch bolt)



Locks for sliding gates

Recommended keep and adapter case



SSKZ QF
P. 103



O-SET
P. 103

Order codes

For square profiles

LLKZ4040 V2L For profiles of 1-1/2"

LLKZ5050 V2L For profiles of 2" **24h** SHIPPING

LLKZ6060 V2L For profiles of 2-3/8" **24h** SHIPPING

LLKZ8080 V2L For profiles of 3-1/8"

LLKZ100100 V2L For profiles of 4"

LLKZ120120 V2L For profiles of 4-3/4"

For round profiles

LLRZ4040 V2L For profiles of 1-1/2"

LLRZ5050 V2L For profiles of 2"

LLRZ6060 V2L For profiles of 2-3/8"

LLRZ8080 V2L For profiles of 3-1/8"

LLRZ100100 V2L For profiles of 4"

LLRZ120120 V2L For profiles of 4-3/4"



Recommended accessories



3970LS
P. 162



DRILLØ15
P. 162



LOCITOOL LA
P. 166



Surface mounted sliding gate lock

LSKZ U2 (Patented)

Slide gate lock for manual sliding gates with aluminum housing and stainless steel mechanism. The key is used to override the lever action and secure the gate. The unique Twistfinger catch bolt and self-correcting keep ensures latching of your sliding gate. Catch bolts are available to fit gate frame profiles from 1-1/2" to 5" wide. Works with cantilever gate systems or fixed roller systems.

24h
SHIPPING



Lock box color options



6005

6009

7016

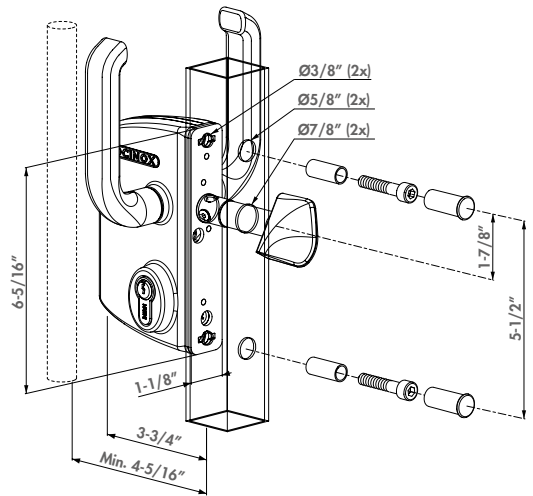
9005

9010



Specifications

- ✓ ISO 9227 KTL / E-coated lock box withstands 1000 hours of salt spray test
- ✓ Chassis, mechanism and Twistfinger in stainless steel
- ✓ Adjustable for horizontal or vertical mounting of the keep (catch bolt)
- ✓ Mounting with 2 hex head socket screws
- ✓ Innovative closing system
- ✓ Stainless steel collar around the Twistfinger prevents cutting through the Twistfinger (catch bolt)
- ✓ Standard with reinforced aluminum handle pair
- ✓ 3006S: Square 10 mm shaft (appx 5/16")



Recommended keep and adapter case



SSKZ QF
P. 103



O-SET
P. 103

Order codes

For square profiles

- LSKZ4040 U2L For profiles of 1-1/2"
- LSKZ5050 U2L For profiles of 2" **24h** SHIPPING
- LSKZ6060 U2L For profiles of 2-3/8" **24h** SHIPPING
- LSKZ8080 U2L For profiles of 3-1/8"
- LSKZ100100 U2L For profiles of 4"
- LSKZ120120 U2L For profiles of 4-3/4"

For round profiles

- LSRZ4040 U2L For profiles of 1-1/2"
- LSRZ6060 U2L For profiles of 2-3/8"
- LSRZ8080 U2L For profiles of 3-1/8"
- LSRZ100100 U2L For profiles of 4"
- LSRZ120120 U2L For profiles of 4-3/4"



Recommended handle & accessories



3006S
P. 179



3970LS
P. 162



DRILLØ15
P. 162



LOCITOOL LA
P. 166



Double cylinder lock

LGKZ D1

Industrial sliding gate lock with aluminum housing and stainless steel mechanism with 2 cylinders. You only need to use 1 of the cylinders in order to open or to close the lock. This lock is ideal to use to provide entry to third parties like the firemen or waste collectors.

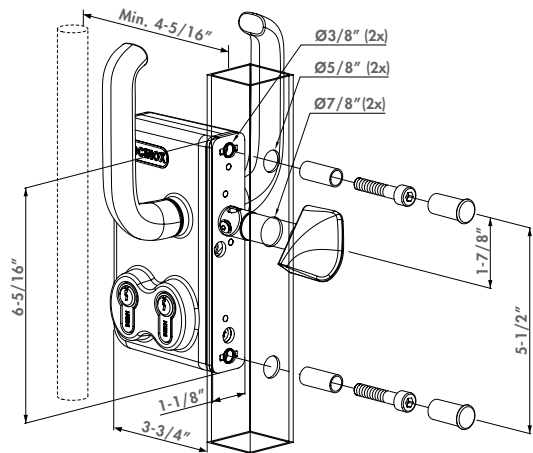


Lock box color options

ZILV 6005 7016 9005

Specifications

- ✔ ISO 9227 KTL / E-coated lock box withstands 1000 hours of salt spray test
- ✔ For gate profiles from 1-1/2" until 4-3/4"
- ✔ Chassis, mechanism and Twistfinger in stainless steel
- ✔ Adjustable for horizontal or vertical mounting of the keep (catch bolt)
- ✔ Innovative closing system
- ✔ Stainless steel collar around the Twistfinger prevents cutting through the Twistfinger (catch bolt)
- ✔ 3-hole mounting with two hexagon socket head screws
- ✔ Exchangeable with Locinox LS-Locks
- ✔ Standard with reinforced aluminum handle pair



Locks for sliding gates

Recommended keeps



SSKZ QF
P. 103



O-SET
P. 103

Order codes

For square profiles

LGKZ4040 D1L	For profiles of 1-1/2"
LGKZ5050 D1L	For profiles of 2"
LGKZ6060 D1L	For profiles of 2-3/8"
LGKZ8080 D1L	For profiles of 3-1/8"
LGKZ100100 D1L	For profiles of 4"
LGKZ120120 D1L	For profiles of 4-3/4"

For round profiles

LGRZ4040 D1L	For profiles of 1-1/2"
LGRZ5050 D1L	For profiles of 2"
LGRZ6060 D1L	For profiles of 2-3/8"
LGRZ8080 D1L	For profiles of 3-1/8"
LGRZ100100 D1L	For profiles of 4"
LGRZ120120 D1L	For profiles of 4-3/4"



Cylinders and accessories



3012-POC-
P. 192



3071-
P. 195



3006S
P. 179



**24h
SHIPPING**

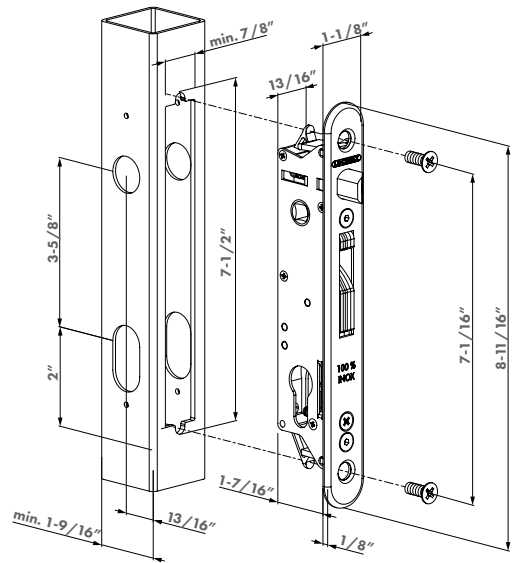
Specifications

- ✓ Lock mechanism with cover plate protects against dirt penetration
- ✓ Patented "Click-It" system makes thread tapping unnecessary
- ✓ Continuous adjustment of the daybolt up to 3/8" without dismounting the lock box
- ✓ Key-operated self-latching bolt, allows Free Exit application
- ✓ Stainless steel mechanism, hook, front plate and latch bolt
- ✓ Easy left or right changing of the self-latching daybolt
- ✓ Throw of the hook: 13/16"
- ✓ Center-distance cylinder <=> handles = 3-5/8"
- ✓ Optional: cover shield for handle & cylinder holes in aluminum, polyamide or stainless steel
- ✓ Handles to be ordered separately
- ✓ Compatible with all Europrofile cylinders

Mortise lock with 3/4" backset for profiles of 1-9/16" or more

FORTYLOCK (Patented)

Mortise lock with 100% stainless steel mechanism. The stainless steel adjustable self-latching bolt and hook combined with the right keep guarantee a strong and solid closed gate where the gate wings can not be pulled apart or forced open. The lock can be installed on metal, aluminum and PVC gates. Thanks to the patented "Click-It" system, installing the lock can be done in a matter of seconds.



Recommended keeps



MODULEC-SF-
P. 109



SFKO
P. 107



SFKU
P. 108

Order code

Insert lock

FORTYLOCK For profiles of 1-1/2"



Optional cover shields



3020-HYB-A2
P. 90



3020-HYB-ALU-ZILV
P. 90



3020-HYB-ALU-9005
P. 90



3020-HYB-STD
P. 90

Recommended handles



3006M-H
P. 181



3006J-H
P. 181



3006B-H
P. 181



3006FIX-
P. 171



Mortise lock with 1-3/16" backset for profiles of 2" or more

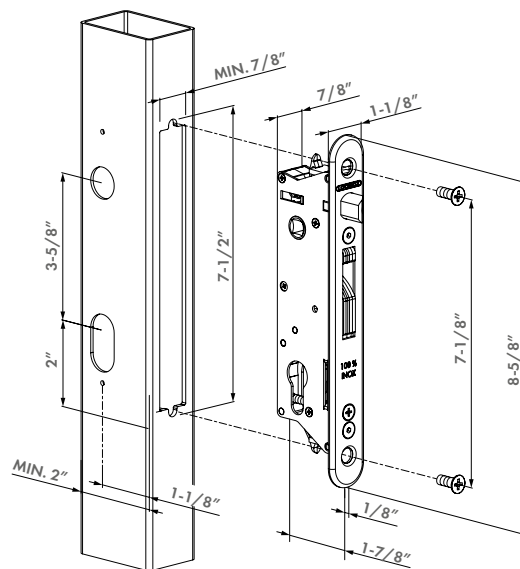
FIFTYLOCK (Patented)

Prime insert lock with 100% stainless steel mechanism. The stainless steel, adjustable self-latching bolt and hook combined with the correct keep guarantee a strong and solid closed gate where the gate wings can not be pulled apart or forced open. The lock can be installed on metal, aluminum and PVC gates. Thanks to the patented "Click-It" system the lock is mounted in seconds.



Specifications

- ✔ Stainless steel lock mechanism with cover plate against dirt penetration
- ✔ Stainless steel mechanism, hook, front plate and latch bolt
- ✔ Backset 1-3/16", for mounting in profiles of 2" or more
- ✔ Continuous adjustment of the daybolt up to 3/8" without dismounting the lock box
- ✔ Key-operated self-latching bolt, allows Free Exit application
- ✔ Easy left or right changing of the self-latching daybolt
- ✔ Throw of the hook: 13/16"
- ✔ Center-distance cylinder <=> handles = 3-5/8"
- ✔ Compatible with all Europrofile cylinders
- ✔ Handles to be ordered separately
- ✔ Optional: cover shield for handle & cylinder holes in aluminum, polyamide or stainless steel



Mortise locks

Recommended keeps



SFKB
P. 106



MODULEC-SF-
P. 109



SFKM
P. 108

Order code

Insert lock

FIFTYLOCK Mortise lock with 1-3/16" backset for profiles of 2" or more



Optional cover shields



3020-HYB-A2
P. 90



3020-HYB-STD
P. 90



3020-HYB-ALU-9005
P. 90



3020-HYB-ALU-ZILV
P. 90

Recommended handles



3006M-H
P. 181



3006J-H
P. 181



3006B-H
P. 181



3006FIX-
P. 171



24h SHIPPING

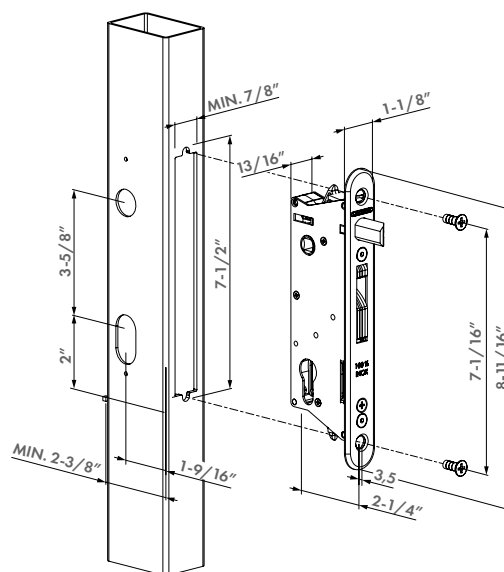
Specifications

- ✔ Stainless steel lock mechanism with cover plate against dirt penetration
- ✔ Stainless steel mechanism, hook, front plate and latch bolt
- ✔ Backset 1-9/16", for mounting in profiles of 2-3/8" of depth or more
- ✔ Continuous adjustment of the daybolt up to 3/8" without dismounting the lock box
- ✔ Key-operated self-latching bolt, allows Free Exit application
- ✔ Easy left or right changing of the self-latching daybolt
- ✔ Throw of the hook: 13/16"
- ✔ Center-distance cylinder <=> handles = 3-5/8"
- ✔ Available with 2-1/8", 2-3/8", and 3-1/8" cylinder
- ✔ Handles to be ordered separately
- ✔ Optional: cover shield for handle & cylinder holes in aluminum, polyamide or stainless steel

Insert lock with 1-9/16" backset for profiles of 2-3/8" or more

SIXTYLOCK (Patented)

Prime insert lock with 100% stainless steel mechanism. The stainless steel, adjustable self-latching bolt and hook combined with the right keep guarantee a strong and solid closed gate where the gate wings can not be pulled apart or forced open. The lock can be installed on metal, aluminum and PVC gates. Thanks to the patented "Click-It" system the lock is mounted in seconds.



Recommended keeps



SFKB
P. 106



INTRALEC-
P. 109



SFKM
P. 108

Order code

Insert lock

SIXTYLOCK Insert lock with 1 9/16" backset for profiles of 2 3/8" or more



Optional cover shields



3020-HYB-A2
P. 90



3020-HYB-STD
P. 90



3020-HYB-ALU-9005
P. 90



3020-HYB-ALU-ZILV
P. 90

Recommended handles



3006M-H
P. 181



3006B-H
P. 181



3006J-H
P. 181



3006FIX-
P. 171



Insert lock with 2-3/8" backset for profiles of 3-1/8" or more

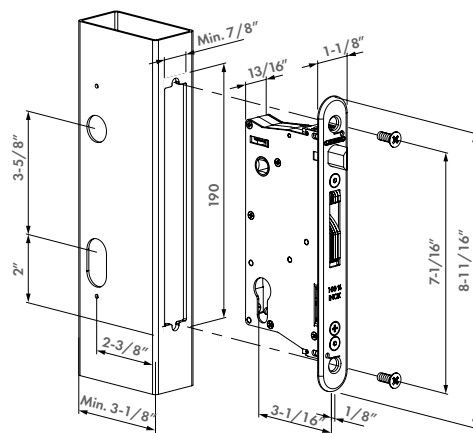
EIGHTYLOCK

Prime insert lock with 100% stainless steel mechanism. The stainless steel, adjustable self-latching bolt and hook combined with the right keep guarantee a strong and solid closed gate where the gate wings can not be pulled apart or forced open. The lock can be installed on metal, aluminum, wooden and PVC gates. Thanks to the patented "Click-It" system the lock is mounted in seconds.



Specifications

- ✔ Stainless steel lock mechanism with cover plate against dirt penetration
- ✔ Stainless steel mechanism, hook, front plate and latch bolt
- ✔ Backset 2-3/8", for mounting in profiles of 3-1/8" of depth or more
- ✔ Continuous adjustment of the daybolt up to 3/8" without dismounting the lock box
- ✔ Key-operated self-latching bolt, allows Free Exit application
- ✔ Easy left or right changing of the self-latching daybolt
- ✔ Throw of the hook: 13/16"
- ✔ Center-distance cylinder <=> handles = 3-5/8"
- ✔ Available with 2-1/8", 2-3/8", and 3-1/8" cylinder
- ✔ Handles to be ordered separately
- ✔ Perfect for wooden gates



Recommended keeps



SFKM
P. 108



MODULEC-SF-
P. 109



INTRALEC-
P. 109

Order codes

Insert lock

EIGHTYLOCK-M Insert lock with 2-3/8" backset for profiles of 3-1/8" or more for metal gates

EIGHTYLOCK-W Insert lock with 2-3/8" backset for profiles of 3-1/8" or more for wooden gates



Optional cover shields



3020-HYB-A2
P. 90



3020-HYB-STD
P. 90



3020-HYB-ALU-9005
P. 90



3020-HYB-ALU-ZILV
P. 90

Recommended handles



3006M-H
P. 181



3006B-H
P. 181



3006J-H
P. 181



3006FIX-
P. 171



**24h
SHIPPING**

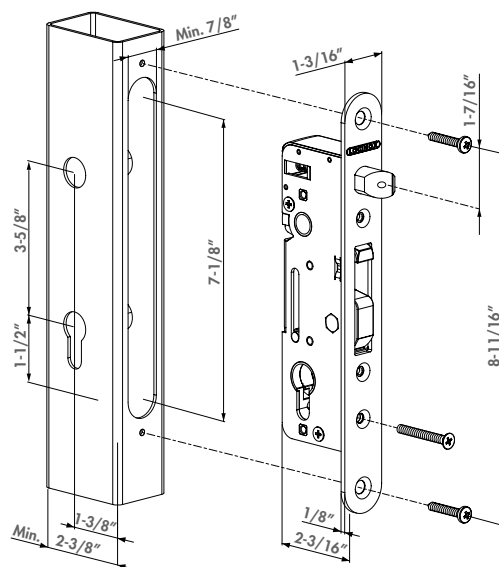
Mortise lock for ornamental gates

H-METAL (Patented)

Mortise lock with 100% stainless steel mechanism. This model can be installed on steel, aluminum, or wood gates. The massive stainless steel hook and adjustable latch bolt makes this a one of a kind lock. The combination of the hook (dead bolt) with the SHKM or SHKW keep provides a secure anchoring of your gate while preventing the gate from being pried open as the dead bolt's "hook" locks into the keep's anchoring plate. These locks can be used on metal, wood or aluminum gates or even with our fully prepared profiles. The latch gap required is keep dependent, but the SHKM Hybrid keep requires a 7/8" latch gap.

Specifications

- ✔ Easy left or right changing of the self-latching daybolt
- ✔ Key-operated self-latching bolt, allows Free Exit application
- ✔ Adjustment of the latch bolt up to 3/4" continuous without removing the lock
- ✔ Stainless steel mechanism, hook, front plate and latch bolt
- ✔ Handles to be ordered separately
- ✔ Throw of the hook: 1-1/4"
- ✔ Center-distance cylinder <=> handles = 3-5/8"
- ✔ Hook in combination with the keep provides secure anchoring
- ✔ With coverplate for lock mechanism protection against dirt penetration inside the posts
- ✔ Available with 2-1/8", 2-3/8", and 3-1/8" cylinder
- ✔ Cover shield for handle & cylinder holes to be ordered separately



Order code

Insert lock

H-METAL For profiles with a min. depth of 2-1/2" **24h SHIPPING**



Complete, stainless steel insert lock set for metal and aluminum gates

H-METAL-SET

Complete set to equip your metal or aluminum gates with a 3/4" adjustable, stainless steel insert lock and adjustable keep.

Specifications

- ✔ Complete set with lock, keep, cover plates, handles and cylinder
- ✔ Stainless steel or polyamide front cover shields

Order codes

H-METAL-SET-54-I Stainless steel handle and 54 mm (2-1/8") cylinder

H-METAL-SET-54-M Aluminum handle and 54 mm (2-1/8") cylinder

H-METAL-SET-80-I Stainless steel handle and 80 mm (3-3/16") cylinder

H-METAL-SET-80-M Aluminum handle and 80 mm (3-3/16") cylinder



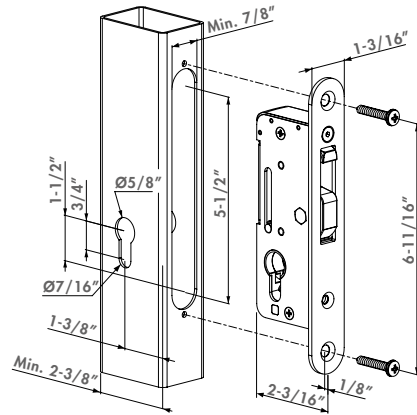
Mortise Lock without handle for sliding and swing gates

H-COMPACT (Patented)

Mortise lock with 100% stainless steel mechanism. This model is specially designed for mechanical closure of sliding gates and double leaf swinging gates. It can be used for manual locking of automated slide gates. The absence of a handle prevents people from climbing over the fence using the handle as a step. The latch gap required is keep dependent, but the SHKC Hybrid keep requires a 3/8" latch gap.

Specifications

- ✔ Insert lock with a backset of 1-3/8"
- ✔ Suitable for swing and sliding gates
- ✔ Mechanism, hook, front plate, chassis and all internal mechanical parts are 100% stainless steel
- ✔ Throw of the hook: 1-1/4"
- ✔ Hook in combination with the keep provides secure anchoring
- ✔ Without latch bolt
- ✔ (Removable) pin prevents lifting the hook from the keep when used in a sliding gate
- ✔ With coverplate for lock mechanism protection against dirt penetration inside the posts
- ✔ Compatible with all Europrofile cylinders



Recommended keep



Order code

H-COMPACT For profiles with a min. depth of 2-1/2"

SHKC
P. 110



**24h
SHIPPING**

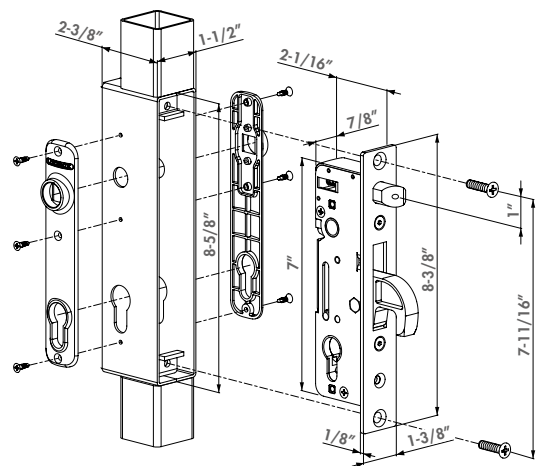
Mortise lock for ornamental gates, fits welding lock box

H-METAL-WB (Patented)

Mortise lock with 100% stainless steel mechanism. This model can be installed on steel or aluminum gates and fits perfectly into our custom welding box. The massive stainless steel hook and adjustable latch bolt makes this a one of a kind lock. The combination of the hook (dead bolt) with the SHKM or SHKW keep provides a secure anchoring of your gate while preventing the gate from being pried open as the dead bolt's "hook" locks into the keep's anchoring plate. The latch gap required is keep dependent, but the SHKM Hybrid keep requires a 7/8" latch gap.

Specifications

- ✔ Insert lock with a backset of 1-3/8"
- ✔ Easy left or right changing of the self-latching daybolt
- ✔ Key-operated self-latching bolt, allows Free Exit application
- ✔ Adjustment of the latch bolt up to 3/4" continuous without removing the lock
- ✔ Stainless steel mechanism, hook, front plate and latch bolt
- ✔ Throw of the hook: 1-1/4"
- ✔ Center-distance cylinder <=> handles = 3-5/8"
- ✔ Hook in combination with the keep provides secure anchoring
- ✔ With coverplate for lock mechanism protection against dirt penetration inside the posts
- ✔ Available with 2-1/8", 2-3/8", and 3-1/8" cylinder
- ✔ Handles to be ordered separately
- ✔ Cover shield for handle & cylinder holes to be ordered separately



Recommended keeps



SHKM
P. 111



HWKB
P. 110



SEH
P. 97

Order code

H-METAL-WB For hybrid welding lock box - HWLB **24h
SHIPPING**





Complete insert lock set with keep for metal, vinyl or aluminum gates FORTYSET

Complete set to equip your metal, PVC or aluminum gates with a 3/8" adjustable, stainless steel insert lock and keep.

Specifications

- ✔ Complete set with lock, keep, cover plates, handles and cylinder
- ✔ 54 mm (2-1/8") Europrofile cylinder with three keys

Order codes

FORTYSET-40I-GP	Fortylock + SFKI + 3020-HYB-STD + 3006G + 3012-54-STD-VSZ
FORTYSET-40I-JA	Fortylock + SFKI + 3020-HYB-ALU + 3006J-H + 3012-54-STD-VSZ
FORTYSET-40I-BA	Fortylock + SFKI + 3020-HYB-ALU-9005 + 3006B-H + 3012-54-STD-VSZ
FORTYSET-40I-MA	Fortylock + SFKI + 3020-HYB-ALU + 3006M-H + 3012-54-STD-VSZ
FORTYSET-40P-GP	Fortylock + SFKP + 3020-HYB-STD + 3006G + 3012-54-STD-VSZ
FORTYSET-40P-JP	Fortylock + SFKP + 3020-HYB-STD + 3006J-H + 3012-54-STD-VSZ



Complete Fiftylock insert set with keep for metal, PVC or aluminum gates FIFTYSET

Complete Fiftylock set to equip your metal, PVC or aluminum gates with a 3/8" adjustable, stainless steel insert lock and keep.

Specifications

- ✔ Complete set with Fiftylock, keep, cover plates, handles and cylinder
- ✔ 54 mm (2-1/8") Europrofile cylinder with three keys

Order code

FIFTYSET-50M-JA	Fiftylock + SFKM + 3020-HYB-ALU + 3006J-H + 3012-54-STD-VSZ
------------------------	---



Complete Sixtylock insert set with keep for metal, PVC or aluminum gates SIXTYSET

Complete Sixtylock set to equip your metal, PVC or aluminum gates with a 3/8" adjustable, stainless steel insert lock and keep.

Specifications

- ✔ Complete set with Sixtylock, keep, cover plates, handles and cylinder
- ✔ 70 mm (2-3/4") Europrofile cylinder with three keys

Order code

SIXTYSET-60M-JA	Sixtylock + SFKM + 3020-HYB-ALU + 3006J-H + 3012-80-STD-VSZ
------------------------	---



Cover shield for mortise locks

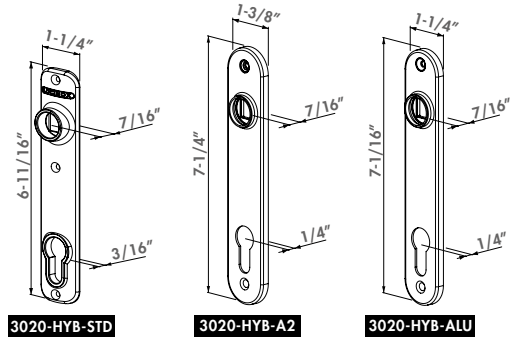
3020-HYB

Cover shield for handle & cylinder holes of Locinox mortise locks. Available in aluminum, stainless steel or polyamide for an aesthetic finish.

24h
SHIPPING

Specifications

- ✓ Cover shield for handle & cylinder holes
- ✓ Standardised gate pattern: compatible with HWLB for Hybrid locks
- ✓ Available in polyamide, aluminum and stainless steel



Compatible locks



Order codes

3020-HYB-A2	Stainless steel cover shields for mortise locks	24h SHIPPING
3020-HYB-ALU-9005	Aluminum cover shields for insert locks - Black	24h SHIPPING
3020-HYB-ALU-ZILV	Aluminum cover shields for insert locks - Silver	24h SHIPPING
3020-HYB-STD	Polyamid cover shields for mortise locks	24h SHIPPING

NEW Aluminum anodized cover plate for insert locks

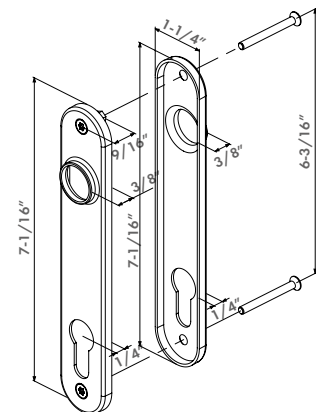
3025-HYB-

Aluminum anodized cover plate for handle hole and cylinder of Locinox insert locks. Attaches transversely through the post. Screws included.



Specifications

- ✓ Cover plate for handle hole and cylinder
- ✓ Anodized aluminum



Compatible locks



Order code

3025-HYB-ALU-4060-9005	Aluminum anodized cover plate for insert locks
3025-HYB-ALU-4060-ZILV	Aluminum anodized cover plate for insert locks

NEW Set of cover plates for insert locks

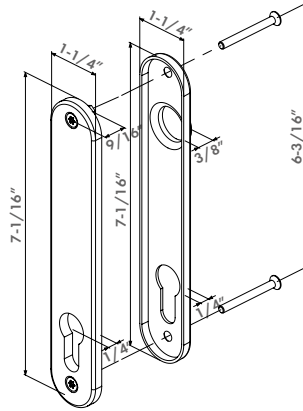
3025-HYB-BLIND-ALU



Set of cover plates for half handle and cylinder for Locinox insert locks. Attaches transversely through the post. Available in stainless steel and anodized aluminum. Screws included.

Specifications

- ✔ Cover plate for handle hole and cylinder
- ✔ Available in stainless steel or anodized aluminum
- ✔ Compatible with BAR-A and BAR-I



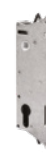
Compatible locks



FORTYLOCK
P. 82



FIFTYLOCK
P. 83



SIXTYLOCK
P. 84



EIGHTYLOCK
P. 85

Order code

- 3025-HYB-BLIND-ALU-9005** Set of cover plates for insert locks
- 3025-HYB-BLIND-ALU-ZILV** Set of cover plates for insert locks



24h SHIPPING

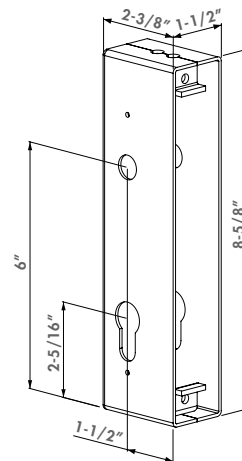
Weldable lock box for H-METAL-WB

HWLB

Metal welding box for hybrid Mortise lock.

Specifications

- ✔ Size: 2-3/8" x 1-9/16" x 8-5/8" (5/64" thickness, 14 gauge)
- ✔ Black steel for welding



Compatible lock and accessories



H-METAL-WB
P. 87



3020-HYB-A2
P. 90



3020-HYB-ALU-9005
P. 90



3020-HYB-STD
P. 90

Order code

- HWLB** Mild steel welding lock box for H-METAL-WB lock **24h SHIPPING**

i Hardware for wooden gates

Wood is more popular than ever as a construction material in the gate and fence world. Wood lives and therefore it's important to know that **wood swells and shrinks** relative to weather changes. That is why here at Locinox we developed a **range of products for wooden gates** which make sure that your **gate always closes perfectly**, even after 10 years!



100% modular



Time-saving



Left/right reversible

One wing gate

H-WOOD

100% stainless steel insert lock with a backset of 2-3/8". The perfect solution for wooden gates. The adjustable self-latching bolt in combination with the stainless steel hook (dead bolt) provides extra security.

SHKW

Stainless steel keep for insert locks. This unique keep in combination with the lock ensures a strong gate anchoring. This configuration is with wood screws for wooden posts.

MAMMOTH

An elegant self-closing hinge which opens smoothly and closes consistently gates up to 330 lbs regardless of the outside temperatures (patented system). Force, closing speed and final snap are all individually adjustable.



- ① SHKW: p. 111
- ② H-WOOD: p. 93
- ③ MAMMOTH: p. 14
- ④ DINO: p. 136



- ① 4DW: p. 139
- ② VSF: p. 150
- ③ SHKW: p. 111
- ④ H-WOOD: p. 93

Double wing gate

4DW

Aesthetic, vandal proof hinge for wooden gates. The stainless steel hinge can be adjusted in 4 dimensions: height, depth, left/right alignment and rotational.

VSF

Standard drop bolt with hot-dip galvanized bolt. The drop bolt is auto-locked between the gate wings.



**24h
SHIPPING**

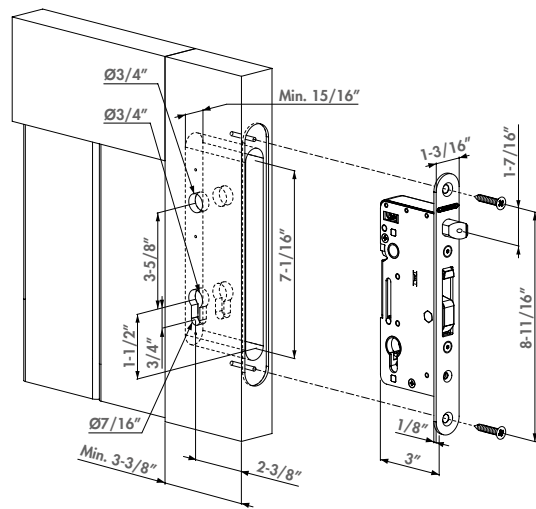
Mortise lock for wooden gates

H-WOOD (Patented)

Mortise lock with 100% stainless steel mechanism. This model is specially designed for wood gates. The adjustable latch bolt in combination with the stainless steel hook (dead bolt) provides extra security. The combination of the hook (dead bolt) with the SHKW keep provides a secure anchoring of your gate while preventing the gate from being pried open as the dead bolt's "hook" locks into the keep's anchoring plate. The latch gap required is keep dependent, but the SHKW Hybrid keep requires a 7/8" latch gap.

Specifications

- ✔ Easy left or right changing of the self-latching daybolt
- ✔ Key-operated self-latching bolt, allows Free Exit application
- ✔ Adjustment of the latch bolt up to 3/4" continuous without removing the lock
- ✔ Stainless steel mechanism, hook, front plate and latch bolt
- ✔ Stainless steel hook for night locking (dead bolt)
- ✔ Throw of the hook: 1-1/4"
- ✔ Center-distance cylinder \Leftrightarrow handles = 3-5/8"
- ✔ 2-3/8" backset handle
- ✔ Lock mechanism with cover plate protects against dirt penetration
- ✔ Compatible with all Europrofile cylinders
- ✔ Handles to be ordered separately
- ✔ Cover shield for handle & cylinder holes to be ordered separately



Order code

Insert lock

H-WOOD For profiles with a min. depth of 4"



Complete, stainless steel insert lock set for wooden gates

H-WOOD-SET

Complete set to equip your wooden gates with an adjustable, stainless steel insert lock and keep. A safe anchoring of the gate is guaranteed.

Specifications

- ✔ Complete set with lock, keep, cover plates, handles and cylinder
- ✔ 60 mm (2-3/8") or 80 mm (3-1/8") cylinder
- ✔ Stainless steel cover shields and handles

Order codes

H-WOOD-SET-60-I H-WOOD + 3020-HYB-A2 (2x) + 30061-H + SHKW-ALUM + 3012-60-STD-VSZ

H-WOOD-SET-80-I H-WOOD + 3020-HYB-A2 (2x) + 30061-H + SHKW-ALUM + 3012-80-STD-VSZ



KEEPS

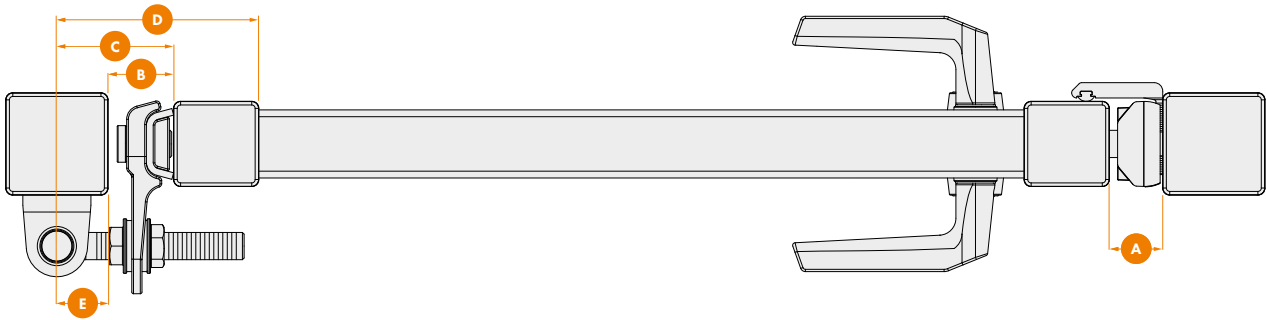
No lock without a keep. Locinox provides a wide range of keeps for sliding, swing, garden and child safety gates. An impact test at our facility ensures our keeps to handle every blow they receive and they meet our strict Locinox standard. Mounting is easy, fast and very strong thanks to our patented Quick-Fix system. The stop plates are adjustable and in many cases equipped with a protective rubber strip.



i Minimal distances

Perfect work begins with a perfect preparation!

All Locinox products can be adjusted accurately. We recommend however to consider the mounting depth when planning. Below, you will find a clear overview of the minimum distances between gate and post. This guarantees that all is perfectly aligned.



Keeps

Hinges

	B		C		D		E	
	MINIMUM	MAXIMUM	MINIMUM	MAXIMUM	MINIMUM	MAXIMUM	MINIMUM	MAXIMUM
GBMU4D12	7/8"	3-1/8"	-	-	13/16"	-	-	-
GBMU4D16	1-3/8"	4-1/2"	-	-	1"	-	-	-
GBMU4D20	1-3/8"	5-1/8"	-	-	1"	-	-	-
EXCENTRO	1-3/8"	-	-	-	1-3/16"	-	-	-
BOLTONHD-4D-12	1/4"	2-3/4"	-	-	1-1/8"	-	-	-
BOLTONHD-4D-16	1/4"	3-1/2"	-	-	1-1/8"	-	-	-
GBMU-X-M12	1/4"	3"	-	-	13/16"	-	-	-
GBMU-X-M16	5/16"	3-3/4"	-	-	1"	-	-	-
GBMU-X-M18	5/16"	3-7/16"	-	-	1"	-	-	-
GBMU-X-M20	1/2"	4-3/8"	-	-	1"	-	-	-
GBMU-X-M22	1/2"	4-3/8"	-	-	1-3/16"	-	-	-
G90Z-X-M16	1-7/8"	1-3/16"	-	-	11/16"	-	-	-
G90Z-X-M20	2-1/16"	1-1/8"	-	-	15/16"	-	-	-
DINO	1/2"	1-11/16"	-	-	15/16"	-	-	-
PUMA	3/8"	13/16"	-	-	-	-	-	-
NOSEHINGE-I	1"	-	4"	-	2"	-	-	-
BEARING HINGE 40X40	1"	1"	-	-	2-3/8"	-	-	-
BEARING HINGE 50X50	13/16"	13/16"	-	-	2-1/8"	-	-	-
3DM	5/8"	3"	-	-	3/8"	-	-	-
4DW	0	1"	-	-	13/16"	-	-	-
3DW	0	1"	-	-	3/8"	-	-	-
GBM12X130 30X30	9/16"	-	4-11/16"	-	13/16"	-	-	-
GBM12X130 40X40	3/8"	-	4-11/16"	-	13/16"	-	-	-
GBM12X150 30X30	9/16"	-	5-1/2"	-	13/16"	-	-	-
GBM12X150 40X40	3/8"	-	5-1/2"	-	13/16"	-	-	-
GBM16X160 40X40	5/8"	-	5-7/8"	-	1"	-	-	-
GBM16X160 50X50	1/2"	-	5-7/8"	-	1"	-	-	-
GBM16X180 40X40	5/8"	-	6-5/8"	-	1"	-	-	-
GBM16X180 50X50	1/2"	-	6-5/8"	-	1"	-	-	-
GAM12X130	1-13/16"	-	4-11/16"	-	13/16"	-	-	-
GAM12X150	1-13/16"	-	5-1/2"	-	13/16"	-	-	-

Keeps

	A
	MINIMUM
SAKL QF	1-3/16"
SHKL QF	1-3/16"
SMKL QF	1-3/16"
SKRZ	1-1/16"
SE & SEH	1"
SPKZ	5/16"
SSKZ	13/16"
ST	1-1/16"
SF	1/2"
MODULEC-SA	1-3/16"
MODULEC-SH	1-3/16"

Keeps

	A
	MINIMUM
SHKC	1/4"
INTRALEC	3/8"
SFKU	1/2"
SFKM	1/2"
SFKI	1/2"
SHKM	9/16"
SHKW	9/16"
SFKO	1-3/16"
MODULEC-SF	1-3/16"
SFKP	1-3/16"
SFKB	1-3/16"

Hinges

	B	C	D	E
	MINIMUM	MAXIMUM	MAXIMUM	MINIMUM
SWING130	3/8"	-	4-11/16"	13/16"
SWING150	3/8"	-	5-1/2"	13/16"
G-ORNA-M20	1-3/8"	2-7/16"	-	1-5/8"
G-ORNA-M24	1-3/8"	2-3/4"	-	1-3/4"
G-ORNA-M27	1-1/4"	3-7/16"	-	1-13/16"
G90LR-X-M16-65	2-1/16"	2-3/8"	-	11/16"
G90LR-X-M16-110	2-1/16"	4-1/8"	-	11/16"
G90LR-X-M16-150	2-1/16"	5-11/16"	-	11/16"
G90LR-X-M20-67	2-1/2"	2-3/8"	-	7/8"
G90LR-X-M20-150	2-1/2"	5-11/16"	-	7/8"
G90WP-B-M16-65	2-3/8"	2-9/16"	-	11/16"
G90WP-B-M16-110	2-3/8"	4-3/8"	-	11/16"
G90WP-B-M16-150	2-3/8"	5-7/8"	-	11/16"
G90WP-B-M20-67	3"	2-5/8"	-	7/8"
G90WP-B-M20-150	3"	5-7/8"	-	7/8"



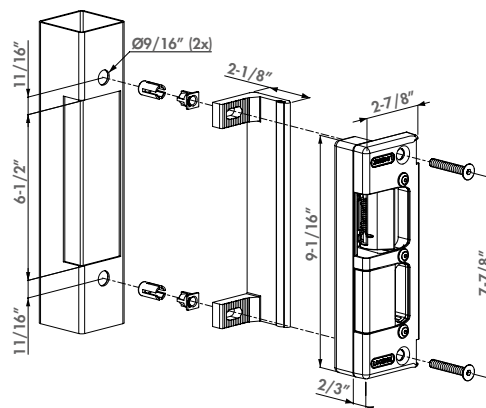
Electric strike for surface mounted locks

SE (Patented)

Electric strike for swing gates. Equipped with a double blocking system which will resist to up to 1000 lbs of pulling force. The deadbolt receiver has been reinforced with stainless steel, making it more robust and extremely strong. The ideal solution for your access control. SE is available in two versions: E (Emissa - Fail Close) and R (Ruptura - Fail Open).

Specifications

- ✔ Type SE.E: Emissa - Fail Close
- ✔ Type SE.R: Ruptura - Fail Open
- ✔ Deadbolt receiver reinforced and in stainless steel
- ✔ For profiles 2" and larger
- ✔ Voltage: 12V AC/DC
- ✔ Current Emissa: 1A
- ✔ Current Ruptura: 1.5A
- ✔ Water resistant & weatherproof
- ✔ Pressure resistance on self-latching bolt: 1000 lbs



Compatible locks



Order codes

- SE-E** Electric strike, Emissa, Fail Close
- SE-R** Electric strike, Ruptura, Fail Open

Keeps for
swing gates

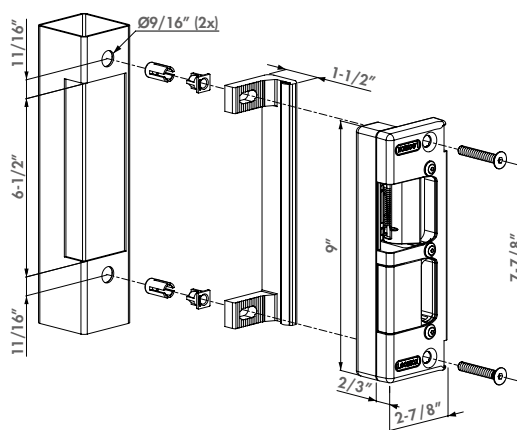


**24h
SHIPPING**

Electric strike for mortise locks

SEH (Patented)

Electric strike for swing gates using our Hybrid Mortise locks. The strike is equipped with a double blocking system which supports 1000 lbs pulling force. This keep is extremely strong and the ideal solution for your access control installations. The electric strike is available in a Fail Secure or Fail Safe model. Latch gap: 1". SEH is available in two versions: E (Emissa - Fail Close) and R (Ruptura - Fail Open).



Compatible locks



Specifications

- ✔ Type SEH.E: Emissa - Fail Close
- ✔ Type SEH.R: Ruptura - Fail Open
- ✔ Easy left or right hand changing
- ✔ For profiles 2" and larger
- ✔ Voltage: 12V AC/DC
- ✔ Current Emissa: 1A
- ✔ Current Ruptura: 1.5A
- ✔ Water resistant & weatherproof
- ✔ Pressure resistance on self-latching bolt: 1000 lbs

Order codes

- SEH-E** Electric strike, Emissa, Fail Close for H-Metal and H-Wood
- SEH-R** Electric strike, Ruptura, Fail Open for H-Metal and H-Wood

H-METAL
P. 86

H-METAL-WB
P. 87

H-WOOD
P. 93



**24h
SHIPPING**

Stop plate color options



Specifications

- ✓ Tested up to 500 000 movements
- ✓ Fast and easy fixation with Quick-Fix bolts
- ✓ 660 lbs. holding force on the latch bolt
- ✓ Same drilling pattern as SA, SH and SM keeps
- ✓ Easy left or right hand changing
- ✓ Corrosion resistant: black anodized aluminum housing
- ✓ Adjustable for gate profiles: 1-9/16" - 2-3/8" depth
- ✓ Voltage: 12V-24V AC/DC
- ✓ Consumption: 12V - 1,25A / 24V - 0,62A
- ✓ Power: 15W

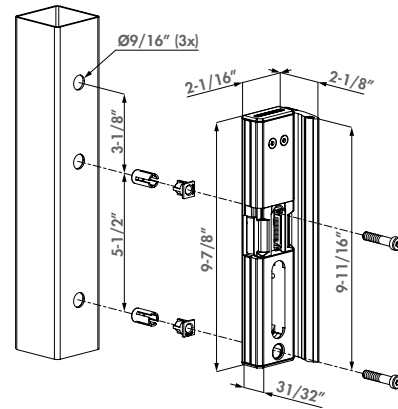
Order code

- MODULEC-SA-E** Fail Close for surface mounted gate locks, 12-24V AC/DC
- MODULEC-SA-R** Fail Open for surface mounted gate locks, 12-24V AC/DC

Surface mounted electric strike

MODULEC-SA (Patented)

Electric Strike for surface mounted locks. Fast and easy installation thanks to the Quick-Fix. Easily interchangeable with the SA keep. Can be connected to both 12V - 24V and AC/DC. Modulec-SA is available in two versions: E (Emissa - Fail Close) and R (Ruptura - Fail Open).



Compatible locks



Keeps for swing gates



**24h
SHIPPING**

Stop plate color options



Specifications

- ✓ Tested up to 500 000 movements
- ✓ 660 lbs. holding force on the latch bolt
- ✓ Fast and easy installation with Quick-Fix
- ✓ Same drilling pattern as SA, SH and SM keeps
- ✓ Easy left or right hand changing
- ✓ Corrosion resistant: black anodized aluminum housing
- ✓ Adjustable for gate profiles: 1-9/16" - 2-3/8" depth
- ✓ Voltage: 12V-24V AC/DC
- ✓ Consumption: 12V - 1,25A / 24V - 0,62A
- ✓ Power: 15W

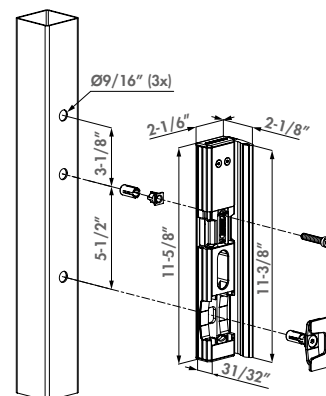
Order codes

- MODULEC-SH-E** Fail Close for surface mounted gate locks, 12-24V AC/DC
- MODULEC-SH-R** Fail Open for surface mounted gate locks, 12-24V AC/DC

Surface mounted electric strike with security mushroom

MODULEC-SH (Patented)

Replace your SHKL keep with an electrical surface mounted keep with Fail Close / Fail Open functionality. Easy to install thanks to the patented Quick-Fix. For 12V-24V and AC/DC. Modulec-SH is available in two versions: E (Emissa - Fail Close) and R (Ruptura - Fail Open).



Compatible locks





Adjustable keep out of stainless steel

SAKL QF (Patented)

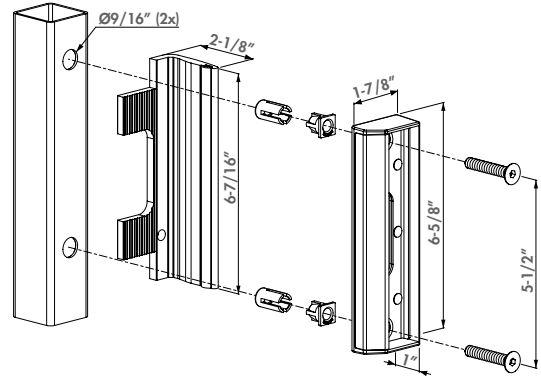
Stainless steel keep with polyamide finish. Used as a standard for all your gates (garden, ornamental, industrial,...) The unique Quick-Fix ensures a fast and strong installation. The adjustable, aluminum stop plate with rubber accepts different gate profiles (1-1/2" to 2-1/2"). Redesigned to make the latch bolt fall into the keep easier.

Stop plate color options

ALUM 6005 6009 7016 9005 9010

Specifications

- ✓ Stainless steel keep with polyamide finishing
- ✓ Stop plate in extruded aluminum with rubber strip
- ✓ Easy left or right hand changing
- ✓ Innovative Quick-Fix mounting
- ✓ Adjustable for profiles: 1-1/2" to 2-1/2"
- ✓ For rectangular and round profiles



Compatible locks



Order codes

SAKL QF Industrial keep for square profiles **24h SHIPPING**
SARL QF Industrial keep for round profiles **24h SHIPPING**

Keeps for swing gates



Adjustable security keep out of stainless steel

SHKL QF (Patented)

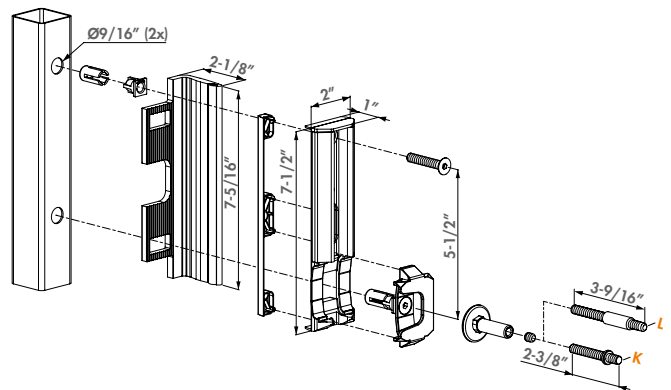
The aluminum security keep is used as a standard for industrial and chain link gates as well as any gate where higher security is desired. The patented stainless steel anchoring system prevents prying the gates open and eliminates the need to install a transom over the gate. The unique Quick-Fix bolt ensures a fast and strong installation. The adjustable stop plate with rubber bumper adjusts to gate profiles up to 2-1/2" and fits on all latch posts 1-1/2" or larger. Latch gap: 1-1/4"

Stop plate color options

ALUM 6005 6009 7016 9005 **24h SHIPPING**

Specifications

- ✓ Reinforced stainless steel security keep for round and square profiles
- ✓ Stainless steel anchoring system included
- ✓ Easy left or right hand changing
- ✓ Innovative Quick-Fix mounting
- ✓ Prevents opening the gate with a crowbar
- ✓ For rectangular and round profiles
- ✓ Aluminum adjustable slam plate with shock rubber
- ✓ Adjustable for gate profiles: 1-1/2" (K) to 2-1/2" (L)



Compatible locks



Order codes

SHKL QF Industrial security keep for square profiles **24h SHIPPING**
SHRL QF Industrial security keep for round profiles **24h SHIPPING**



Polyamide gate keep for rectangular profiles

SMKL QF

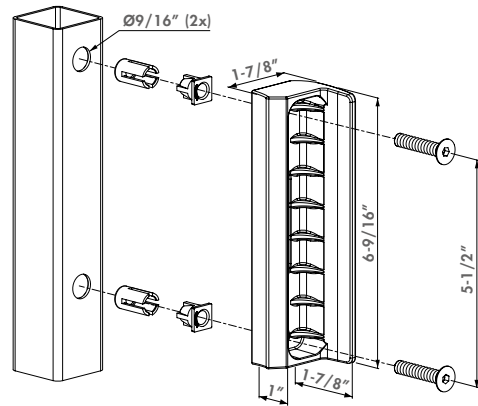
Polyamide keep for walk and garden gates. This economical gate stop and receiver is typically used in conjunction with the polyamide bodied garden gate lock LAKZ P1. The unique Quick-Fix bolt ensures a fast and strong installation. This keep is designed for gate profiles 1-1/2" and fits on all latch posts 1-1/2" or larger.

Color options

6005 6009 7016 7040 9005

Specifications

- ✓ Keep in polyamide for square profiles
- ✓ Easy left or right hand changing
- ✓ Innovative Quick-Fix mounting
- ✓ For gate profiles 1-1/2" or more



Compatible locks



LAKZ P1
P. 74

LAKZ P1 WSI
P. 75

Order code

SMKL QF Polyamide garden gate keep for square profiles



Polyamide gate keep for round profiles

SKRZ

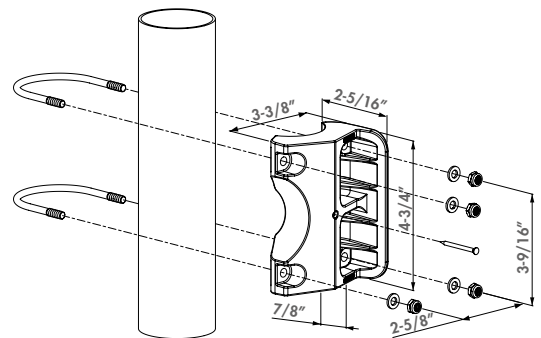
Polyamide keep for walk and garden gates. This economical gate stop and receiver is typically used in conjunction with the polyamide bodied garden gate lock LAKZ P1. The U-Bolt mount ensures a fast and strong installation on round tube. This keep is designed for gate profiles 1-1/2" and latch post profiles 2-3/8" round. Latch gap: 7/8"

Color options

6005 6009 7040 9005

Specifications

- ✓ Keep in polyamide for round profiles
- ✓ Easy left or right hand changing
- ✓ Only for round posts Ø2-3/8"
- ✓ For gate profiles of 1-1/2" width



Compatible locks



LAKZ P1
P. 74

LAKZ P1 WSI
P. 75

Order code

SKRZ Polyamide garden gate keep for round profiles



24h
SHIPPING

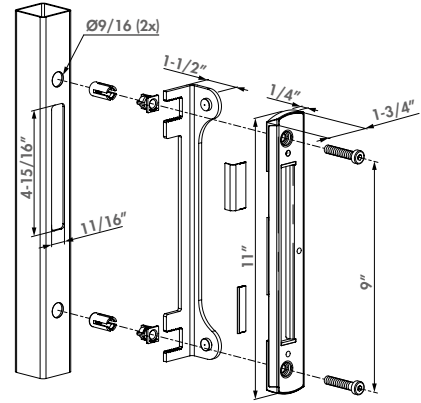
Stainless steel keeper for narrow gaps

SF-

The durable, stainless steel surface mounted keep is designed for our complete range of surface mounted swing gate locks. The limited 5/16" visible thickness ensures a discreet look while strongly securing to the gate frame with our unique Quick-Fix bolts. With minimal gate preparation needed and a quick assembly, the keep offers a highly-efficient and cost-effective installation. The SF keep and gate lock combined provide a strong gate anchoring for reliable access control.

Specifications

- ✔ Stainless steel keep for square profiles as of 1-9/16"
- ✔ Compatible with our complete range of surface mounted swing gate locks
- ✔ Extruded stop plate in aluminum with rubber strip for longterm use
- ✔ Including innovative Quick-Fix fixations and self drilling screws
- ✔ Easy left or right hand changing
- ✔ Elegant design: visible thickness of 5/16"
- ✔ Adjustable stop plate for 1-1/2" to 2-1/2" gate frames
- ✔ Adjustable guide to avoid damage of day bolt to post



Compatible locks



Order code

SF- Stainless steel surface mounted keep for surface mounted locks, adjustable for 1-1/2" to 2-1/2" gate frames **24h SHIPPING**

Keeps for
swing gates



Pull Counter Box

3006PC

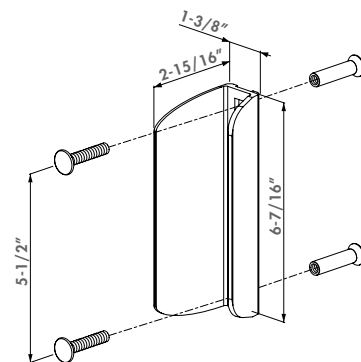
Aesthetic solution in aluminum for the construction of symmetric double swing gates in combination with the Locinox keep. If used with the Locinox 4D-hinges, you can simplify your production of double gates to one single identical gate wing which can be used either on the left or right side. The pull counter box fills up the symmetric lock opening in the other gate wing.

Color options

ZILV 6005 6009 7016 9005

Specifications

- ✔ Metal folded counter box to pull the gate open, designed in the same shape as the industrial lock for perfect symmetry
- ✔ To use in combination with the SA or the SH keep with the special through and through fixing



Compatible locks



Order code

3006PC Folded counter box in aluminum with through and through fixing



Ornamental keep

SPKZ QF

Flat stainless steel strike plate with polyamide insert that fits into the post for a clean, finished look. This keep allows you to align your ornamental gates with a minimum latch gap in between. This strike plate does not have an integrated gate stop, so the gate can swing through. Quick-Fix bolts are provided. Latch gap: 1/4"

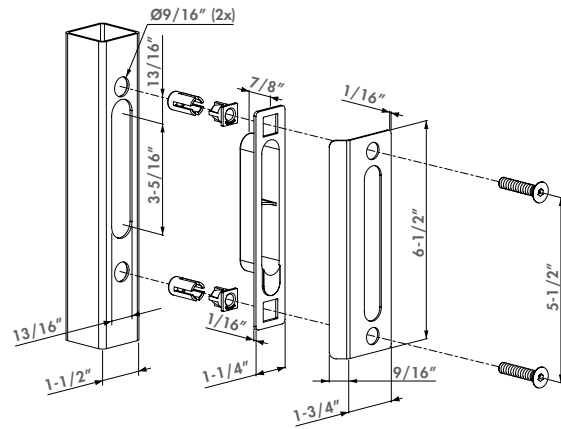
**24h
SHIPPING**

Color options



Specifications

- ✓ Insert keep for square profiles of 1-9/16"
- ✓ Innovative Quick-Fix mounting



Compatible locks



LAKQ H2
P. 73

LAKY F2
P. 72

LAKQ U2
P. 59

LMKQ V2
P. 66

Order code

SPKZ QF 40 Insert keep for square profiles of 1-1/2" **24h
SHIPPING**



Strike Plate with counter lock box

SPKZ-TK

Flat stainless steel strike plate with polyamide insert that fits into the post for a clean, finished look. This keep allows you to align your ornamental gates with a minimum latch gap in between and offers you a nice aesthetical look for double gates with the ornamental counter box opposite the lock. This strike plate does not have an integrated gate stop, so the gate can swing through. Latch gap: 1/4"

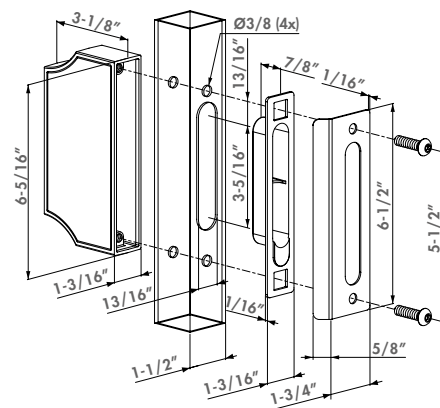
**24h
SHIPPING**

Color options



Specifications

- ✓ Counter lock box with the same shape as the ornamental lock
- ✓ For square profiles 1-1/2" min
- ✓ Mounting: through the profile into the counter lock box



Compatible locks



LAKQ H2
P. 73

LAKY F2
P. 72

Order code

SPKZ TK 40 Insert keep and ornamental counter lock box for square profiles of 1-1/2" **24h
SHIPPING**

Sliding gate keep with Quick-Fix

SSKZ QF (Patented)

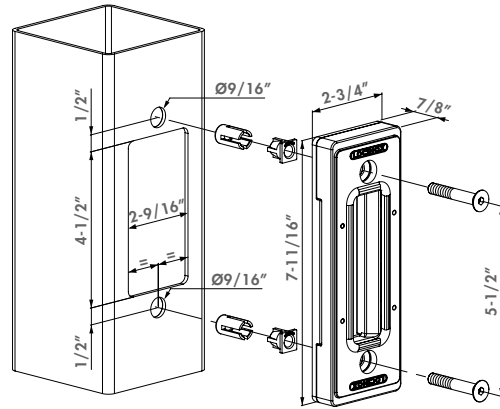
Stainless steel sliding keep for hollow posts. The keep is 5/8" auto-adjustable left/right for an easy and secure anchoring of the gate lock. A rubber stop prevents the gate from being damaged in closed position.



24h
SHIPPING

Specifications

- ✔ Keep in stainless steel for square profiles
- ✔ Minimum profile size: 3" wide
- ✔ Fast and easy fixation with Quick-Fix bolts
- ✔ The keep is 3/8" left/right auto-adjustable for easy and secure anchoring of the Twistfinger
- ✔ The rubber stop prevents damaging the gate frame



Compatible locks



LLKZ V2
P. 79



LSKZ U2
P. 80



LGKZ D1
P. 81

Order code

SSKZ QF Sliding gate keep for square profiles with a min. width of 3" **24h**
SHIPPING

Aluminum adapter case for SSKZ QF for flat profiles

O-SET

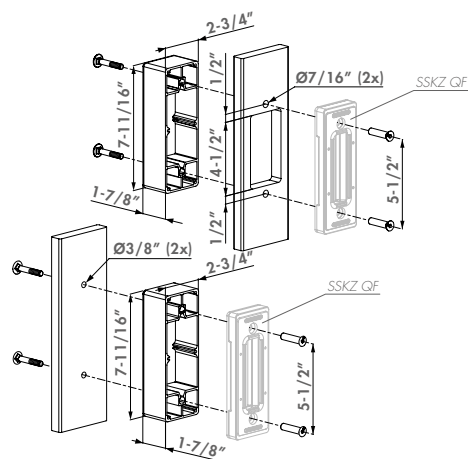
Adapter for the SSKZ QF sliding gate keep. Can be used when mounting the keep on flat profiles or if you want the keep surface mounted.



24h
SHIPPING

Specifications

- ✔ Aluminum case to use together with sliding gate keep SSKZ QF when installing on a flat profile
- ✔ Protects the Twistfinger when the keep is mounted on a flat profile with a minimum thickness of 1/4" and a maximum thickness of 3/4"
- ✔ Delivered with through and through fasteners



Recommended keep



SSKZ QF
P. 103

Order code

O-SET Aluminum cover box for catch bolt protection **24h**
SHIPPING



Color options

9005

Specifications

- ✔ Keep in polyamide for square profiles 1-1/2" or larger
- ✔ For 1-1/2" gate profiles only
- ✔ Only compatible with the swimming pool lock TWIST40
- ✔ Innovative Quick-Fix mounting
- ✔ Conforms to swimming pool standard NF P90-306
- ✔ We strongly advise you to read the swimming pool standard NF P90-306 before manufacturing any swimming pool gate

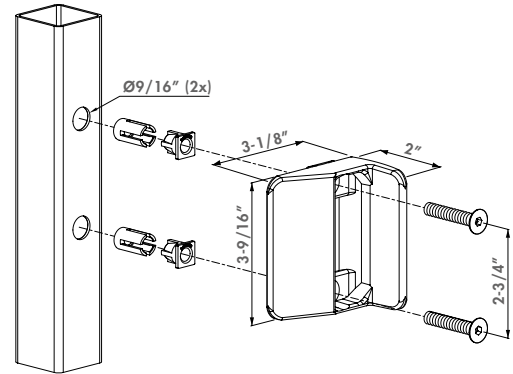
Order code

STK QF Keep for TWIST40 pool lock, Fits min 1-1/2" square profiles

Keep for square profiles for TWIST40

STK QF (Patented)

This polyamide keep conforms to the European swimming pool standard NF P90-306. It is designed to work with the TWIST40 swimming pool lock. Fast and strong installation on square posts using our patented Quick-Fix bolts. For gate profiles 1-1/2" only. Latch gap: 1-1/4"



Compatible lock



TWIST40
P. 78

Keep for round profiles for TWIST40

STR60 QF (Patented)

This polyamide keep conforms to the European swimming pool standard NF P90-306. It is designed to work with the Twist40 swimming pool lock. Fast and strong installation on 2-3/8" diameter round tubes using our patented Quick-Fix mounting hardware. For gate profiles 1-1/2" only. Latch gap: 1-1/4"



Color options

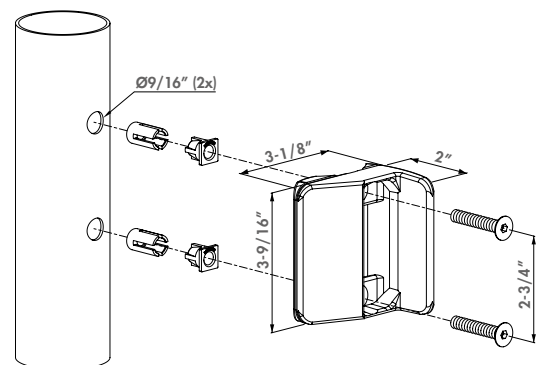
9005

Specifications

- ✔ Keep in polyamide for round profiles Ø2-3/8"
- ✔ For 1-1/2" gate profiles only
- ✔ Only compatible with the swimming pool lock TWIST40
- ✔ Innovative Quick-Fix mounting
- ✔ Conforms to swimming pool standard NF P90-306
- ✔ We strongly advise you to read the swimming pool standard NF P90-306 before manufacturing any swimming pool gate

Order code

STR60 QF Keep for TWIST40 pool lock, Fits 2-1/2" round latch posts only



Compatible lock



TWIST40
P. 78





**24h
SHIPPING**

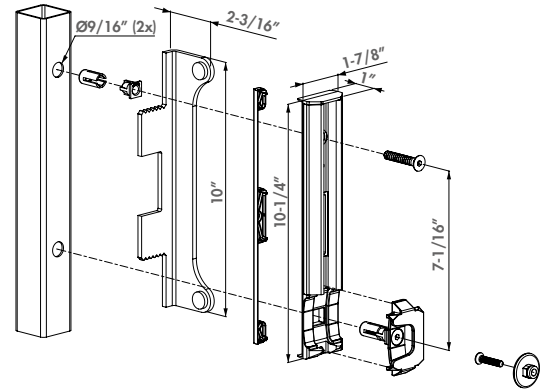
Surface mounted stainless steel keep strike for Fortylock, Fiftylock and Sixtylock

SFKB

Stainless steel keep with polyamide finishing for all your metal, aluminum and PVC gates. The patented stainless steel anchoring system prevents pulling the gates out of the keep. The unique Quick-Fix ensures a fast and strong mounting.

Specifications

- ✔ Keep for square profiles
- ✔ Aluminum slam plate with shock rubber
- ✔ Innovative installation with Quick-Fix
- ✔ To combine with Fortylock, Fiftylock, Sixtylock and Eightylock
- ✔ Stainless steel anchoring system included
- ✔ Easy left or right hand changing
- ✔ Prevents opening the gate with a crowbar
- ✔ Adjustable for profiles: 1-1/2" to 2-1/2"



Compatible locks



FORTYLOCK
P. 82



FIFTYLOCK
P. 83



SIXTYLOCK
P. 84

Order code

SFKB-QF For profiles 1-1/2" to 2-1/2"



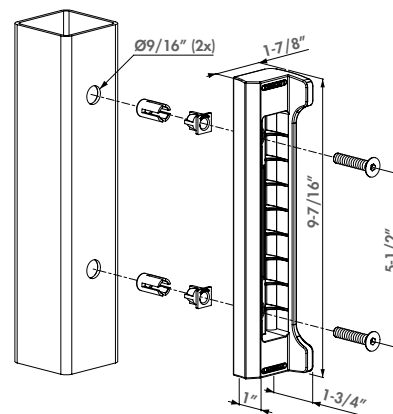
Polyamide keep for Fortylock, Fiftylock and Sixtylock

SFKP

Polyamide keep for walk- and garden gates. To combine with Fortylock, Fiftylock, Sixtylock and Eightylock. The Quick-Fix ensures a fast and strong mounting on square posts. For gate profiles 1-1/2".

Specifications

- ✔ Keep for square profiles of 1-9/16"
- ✔ Standard measure between fixings: 5-1/2"
- ✔ Innovative installation with Quick-Fix
- ✔ Easy left or right hand changing



Compatible locks



FORTYLOCK
P. 82



FIFTYLOCK
P. 83



SIXTYLOCK
P. 84

Order code

SFKP-QF40 For square gate profiles 1-1/2"



**24h
SHIPPING**

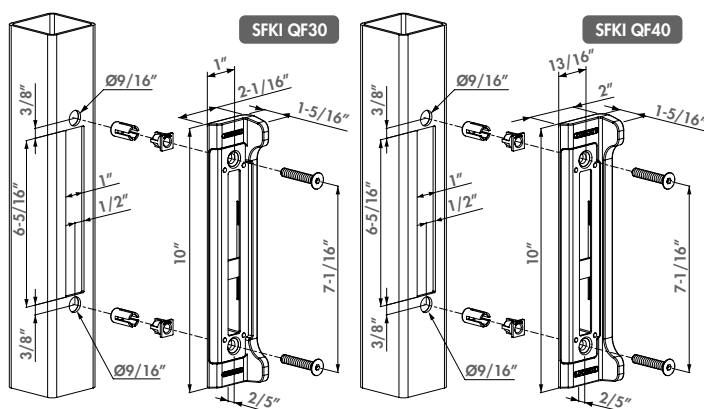
Specifications

- ✔ Keep for square profiles
- ✔ Innovative installation with Quick-Fix
- ✔ Easy left or right hand changing
- ✔ Insert depth: 9/16"
- ✔ Available for gate profiles 1-3/16" or 1-9/16"

Insert stainless steel strike for Fortylock, Fiftylock and Sixtylock

SFKI

Insert keep for small gates in metal, aluminum and PVC. The keep can be combined with the FortyLock, Fiftylock and Sixtylock. Fast and easy mounting with Quick-Fix. Hook of FortyLock in combination with the keep provides a secure anchoring of gate and post. Available for square posts of 1-3/16" or 1-1/2".



Compatible locks



FORTYLOCK
P. 82



FIFTYLOCK
P. 83



SIXTYLOCK
P. 84

Order codes

SFKI-QF30 For square gate profiles 1-1/8"

SFKI-QF40 For square gate profiles 1-1/2" **24h
SHIPPING**



**24h
SHIPPING**

Color options

ALUM 9005

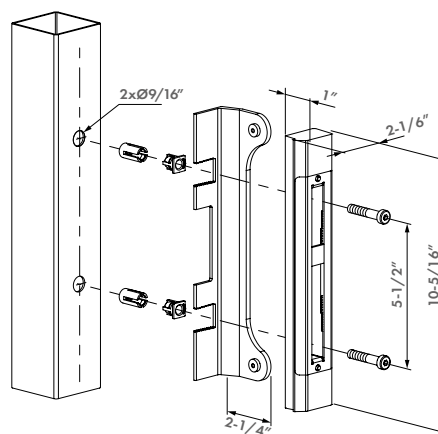
Specifications

- ✔ Modular with electric strike MODULEC-SF
- ✔ Keep for square profiles
- ✔ Innovative installation with Quick-Fix
- ✔ Extruded stop plate in aluminum with rubber strip for longterm use
- ✔ To combine with Fortylock, Fiftylock, Sixtylock and Eightylock
- ✔ Vandal proof design: hook-in anchoring system prevents opening with a crowbar
- ✔ Easy left or right hand changing
- ✔ Adjustable for gate profiles: 1-9/16" - 2-3/8"

Stainless steel surface mounted keep for insert locks

SFKO (Patent pending)

Aesthetical surface mounted keep. Specially designed for Fortylock, Fiftylock and Sixtylock insert locks. The keep is perfectly modular with the electrical strike Modulec-SF, no changes needed. A highly efficient mounting with minimal gate preparations is guaranteed, while the unique Quick-Fix ensures a fast and strong fixation on the gate. The anchoring system ensures a strong gate closure.



Compatible locks



FORTYLOCK
P. 82



FIFTYLOCK
P. 83



SIXTYLOCK
P. 84

Order codes

SFKO-QF Stainless steel surface mounted keep for insert locks

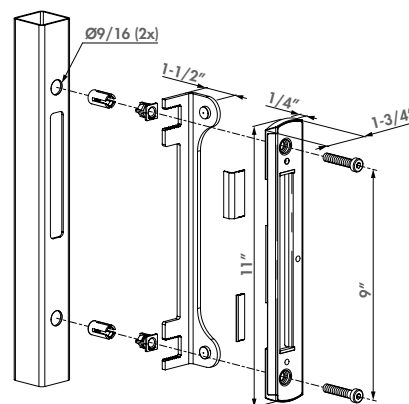
Keeps for
mortise locks



Stainless steel surface mounted keep for Fortylock, Fiftylock and Sixtylock

SFKM

Aesthetical surface mounted keep for small metal, aluminum and PVC gates. Specially designed for Fortylock, Fiftylock and Sixtylock insert locks. The limited 5/16" depth ensures a discreet look. A highly efficient assembly with minimal gate preparations is guaranteed, while the unique Quick-Fix ensures a fast and strong fixation on the gate. This unique keep in combination with the insert lock ensures a strong gate anchoring.



Color options



Specifications

- ✓ Stainless steel keep for square profiles as of 1-9/16"
- ✓ To combine with Fortylock, Fiftylock, Sixtylock and Eightylock
- ✓ Extruded stop plate in aluminum with rubber strip for longterm use
- ✓ Including innovative Quick-Fix fixations and self drilling screws
- ✓ Easy left or right hand changing
- ✓ Elegant design: visible thickness of 5/16"
- ✓ Adjustable stop plate for 1-1/2" to 2-1/2" gate frames
- ✓ Adjustable guide to avoid damage of day bolt to post

Compatible locks



FORTYLOCK
P. 82

FIFTYLOCK
P. 83

SIXTYLOCK
P. 84

Order code

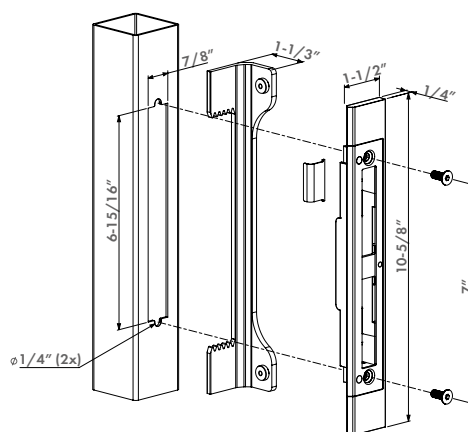
SFKM-QF For profiles 1-1/2" to 2-1/2"



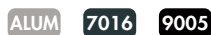
NEW Insert keep for installation in lock pattern

SFKU (Patent pending)

Stainless steel insert keep that can be installed in insert lock pattern for universal wing preparation of 1-9/16" wide frames. The integrated "Click-It" system requires only a slight shift for a quick and secure fixation. The slim design limits the distance between lock and keep and increases the level of privacy of your gate.



Color options



Specifications

- ✓ Adjustable for gate profiles: 1-1/2" - 2"
- ✓ Integrated Click-It installation system
- ✓ Easy left or right hand changing
- ✓ Extruded stop plate in aluminum with rubber strip for longterm use
- ✓ To combine with Fortylock, Fiftylock, Sixtylock and Eightylock
- ✓ Includes connection parts for optional SHIELDLINE

Compatible locks



FORTYLOCK
P. 82

SIXTYLOCK
P. 84

SHIELDLINE-
P. 182

Order code

SFKU Insert keep for installation in lock pattern



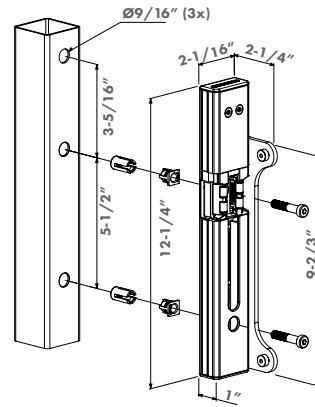
Surface mounted electric strike for Forty-, Fifty- and Sixtylock

MODULEC-SF- (Patented)

Easy-to-install surface mounted electric strike with a narrowed stop plate for insert locks. Thanks to the patented Quick-Fix, a quick installation is guaranteed. The black anodized housing ensures a corrosion and scratch-free use for many years. Can be connected to both 12V - 24V and AC/DC. Modulec-SF is available in two versions: E (Emissa - Fail Close) and R (Ruptura - Fail Open).

Specifications

- ✔ Tested up to 500 000 movements
- ✔ Fast and easy fixation with Quick-Fix bolts
- ✔ 660 lbs. holding force on the latch bolt
- ✔ Easy left or right hand changing
- ✔ Corrosion resistant: black anodized aluminum housing
- ✔ Adjustable for profiles: 1-1/2" to 2-1/2"
- ✔ Voltage: 12V-24V AC/DC
- ✔ Consumption: 12V - 1,25A / 24V - 0,62A
- ✔ Power: 15W
- ✔ Available in two colors: RAL 9005 & ALUM



Compatible locks



FORTYLOCK
P. 82



FIFTYLOCK
P. 83



SIXTYLOCK
P. 84

Order codes

- MODULEC-SF-E** Fail Close for insert locks, 12-24V AC/DC
- MODULEC-SF-R** Fail Open for insert locks, 12-24V AC/DC

Keeps for mortise locks

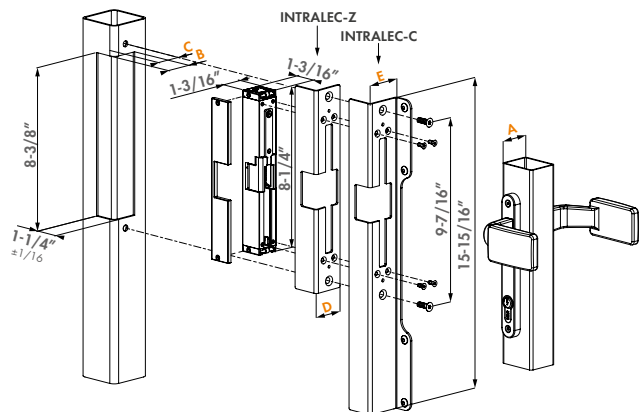


24h
SHIPPING

Built-in electric keep for Fortylock, Fiftylock and Sixtylock insert locks

INTRALEC- (Patented)

Elegant and discreet electric keep which is built-in the post. Easy installation thanks to the patented Click-It system. Can be installed without a strike plate and a mechanical override is possible. Intralec is available in Fail Open (Ruptura) and Fail Close (Emissa) version.



Compatible locks



FORTYLOCK
P. 82



FIFTYLOCK
P. 83



SIXTYLOCK
P. 84

Specifications

- ✔ Fast and easy fixing with Click-it
- ✔ 660 lbs. holding force on the latch bolt
- ✔ Deep closure of 3-15/16" of the latch bolt
- ✔ Voltage: 12V-24V AC/DC
- ✔ Consumption: 10W / 12V - 0.8A / 24V - 0.4A

Order codes

- INTRALEC-C-40-9005-E** For 1-9/16" gate profiles - Fail Close, with stop plate
- INTRALEC-C-40-9005-R** For 1-9/16" gate profiles - Fail Open, with stop plate
- INTRALEC-C-50-9005-E** For 2" gate profiles - Fail Close, with stop plate
- INTRALEC-C-50-9005-R** For 2" gate profiles - Fail Open,
- INTRALEC-Z-40-9005-E** For 1-9/16" gate profiles - Fail Close, without stop plate
- INTRALEC-Z-40-9005-R** For 1-9/16" gate profiles - Fail Open, without stop plate
- INTRALEC-Z-50-9005-E** For 2" gate profiles - Fail Close, without stop plate
- INTRALEC-Z-50-9005-R** For 2" gate profiles - Fail Open, without stop plate



**24h
SHIPPING**

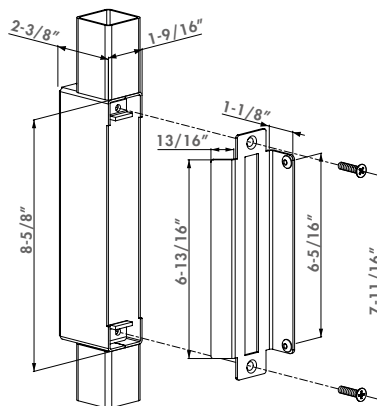
Weldable lock box with keep/stop for Mortise lock

HWKB

Hybrid keep for Hybrid mortise lock. The welding box in black steel 2-3/8" x 1-9/16", 1/16" thick can be welded into the latch post. The strike plate in stainless steel with integrated stop ensures a finished look and smooth locking. Latch gap: 1/4"

Specifications

- ✔ Weld box for Hybrid Keep in black steel to weld into the latch post. 2-3/8" x 1-9/16", 1/16"
- ✔ Front plate in stainless steel
- ✔ Integrated gate stop with 2 rubber stoppers
- ✔ For gate profiles of 1-1/2" width



Compatible locks



H-METAL
P. 86

H-METAL-WB
P. 87

Order code

HWKB Keep & welding box for hybrid mortise lock **24h SHIPPING**

Keeps for mortise locks



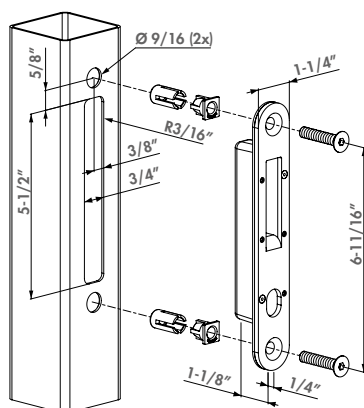
Stainless steel keep for H-COMPACT

SHKC

Stainless steel keep for the H-COMPACT insert lock. The 1-9/32" throw of the hook and the anti-lift protection provide a secure anchoring. Latch gap: 3/8"

Specifications

- ✔ Plastic box prevents intrusion of dirt or water in the profile
- ✔ 15/64" thick front plate
- ✔ Can be used for swing and slide gates
- ✔ Innovative installation with Quick-Fix
- ✔ The strike presents a safe solution and prevents lifting the gate out of position.



Compatible lock



H-COMPACT
P. 87

Order code

SHKC For square posts with a min. width of 1-1/2" in combination with H-COMPACT lock



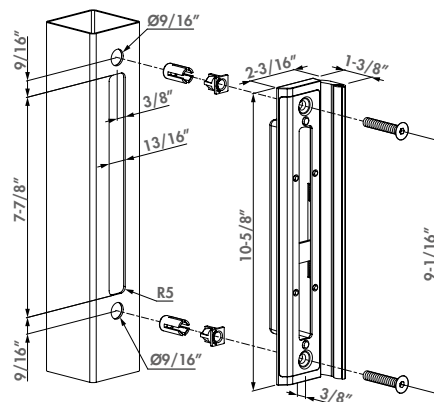
24h
SHIPPING

Stop plate color options



Specifications

- ✔ Adjustable for profiles: 1-1/2" to 2-1/2"
- ✔ Innovative Quick-Fix mounting
- ✔ Anchoring plate for hook
- ✔ Easy left or right hand changing



Compatible lock and accessories



H-METAL
P. 86

H-METAL-WB
P. 87

Order code

SHKM For square posts in combination with H-METAL lock **24h** SHIPPING



24h
SHIPPING

Color options



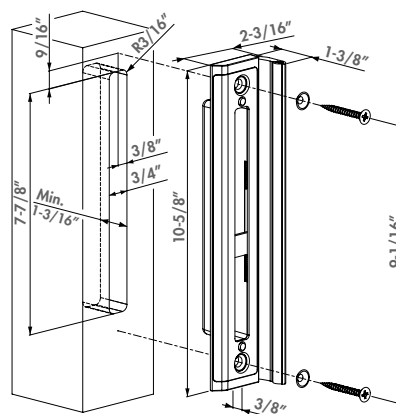
Specifications

- ✔ Stainless steel keep for Hybrid locks
- ✔ With mounting screws for wood
- ✔ Supplied with stop plate if integrated stop is not provided
- ✔ For 1-1/2" to 2-1/2" gate profiles
- ✔ Anchoring plate for hook

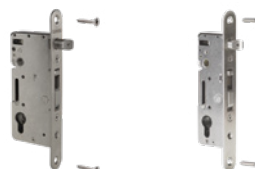
Hybrid keep for wood

SHKW

Aluminum keep for our Hybrid Mortise locks. This unique keep is left and right hand reversible and comes with an adjustable stop plate that fits 1-1/2" to 2-1/2" gate profiles. When used in combination with the Hybrid lock this keep ensures strong gate locking while preventing the gate from being pried open as the dead bolt's "hook" locks into the keep's anchoring plate. This model comes with wood screws for installation on wooden posts. Latch gap: 7/8"



Compatible locks



H-WOOD
P. 93

H-METAL
P. 86

Order code

SHKW For wooden posts in combination with H-WOOD lock **24h** SHIPPING

Keeps for mortise locks





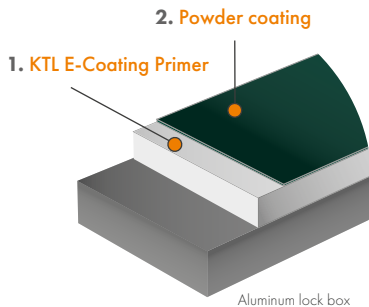
HINGES

Hinges support the weight of the gate and ensure it to open & close smoothly. Because of this heavy task, our hinges are hot-dip galvanized or made of stainless steel. Thanks to our wide range we can offer a solution for every situation. Top of the line is the patented 4D hinge. This hinge is adjustable in 4 dimensions (height/depth /alignment/left or right turning).



i Weatherproof

Materials and surface treatments fit for a long, care-free outdoor use, is a basic requirement for our products. Therefore, Locinox only uses stainless steel and non-ferro metals as raw material. For the surface treatment we choose for hot-dip galvanization or chroming, if possible. Our aluminum lock boxes are profoundly tested against wear by salt and never fail thanks to the applied multilayer, high performing coatings.



E-COATED ALUMINUM



POWDER COATING



HOT-DIP GALVANIZATION

i Safety

Even though our products meet most important safety standards, a wrongful assembly could result in hazardous situations. Therefore we like to inform you about the parameters to mind during assembly.

CORRECT INFORMATION

A team of engineers and experienced product experts are ready to assist you. Every product is supplied with a clear manual which guides you through the steps for a correct and safe installation. For more complex products, a 3D installation video is available on our website.

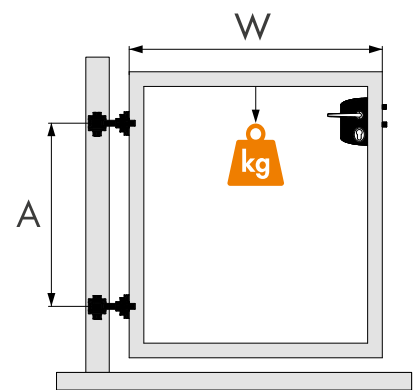
MAXIMUM GATE WEIGHT

We always mention the maximum gate weight which is allowed for our hinges. This weight is still under the maximum load. Locinox applies safety factor 3,5 which means that they can bear up to 3,5 times the maximally allowed gate weight without endangering safety. The maximum gate weights and the safety factor are only applicable for gates that comply with the following formula.

Please note:

- Maximum gate width: 13 ft
- Additional limitations can be defined on configuration level
- Please contact Locinox in case of specific questions

! European norm EN 12604 prescribes that every gate should be prevented from falling and in case of failure of a hinge the gate should be held not further than 300 mm from the turning point of that hinge. This can be done by fitting the U-Safe gate safety cable (see p 198) or a 3rd hinge.



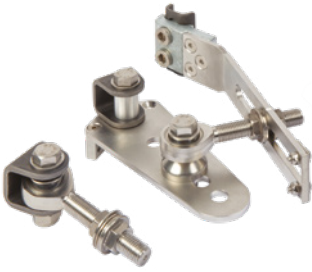
kg SAFETY FACTOR 3,5

$$\frac{W}{A} \leq 2$$

A = Distance between the hinges
W = Gate width

180° hinge set for ascending slopes

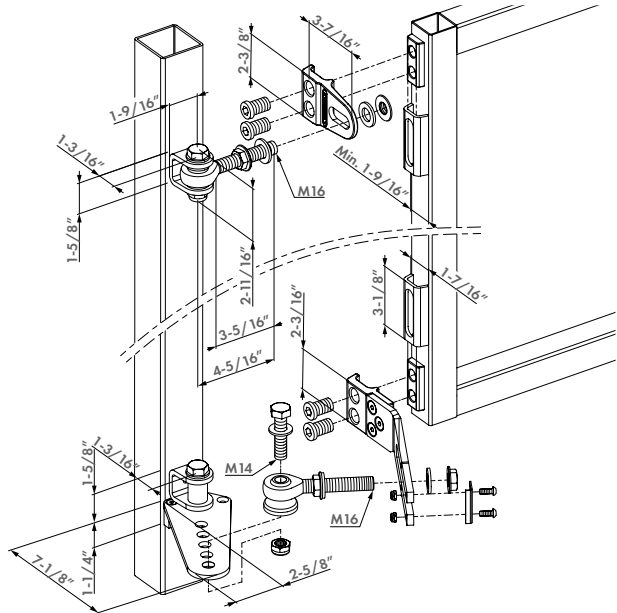
EXCENTRO-



This hinge is the perfect solution for sloped driveways. The hinge opens in an upward movement inwards, allowing a perfect entry and exit on even the steepest slopes (from 2% up to 35%). Use with the Rhino hydraulic gate closer is highly recommended for a controlled closing. Modular for gates with a Locinox GBMU4D-M16 preparation.

Specifications

- ✔ Hot-dip galvanized hinge with stainless steel components
- ✔ 180° opening and closing angle
- ✔ Recommended with Rhino hydraulic gate closer for a controlled closing
- ✔ Adjustable for slopes from 2 up to 35% (depending on distance between hinges)
- ✔ For left and right handed gates
- ✔ Compatible with KLAUW gate claw and 1001 U U-shaped ear plate

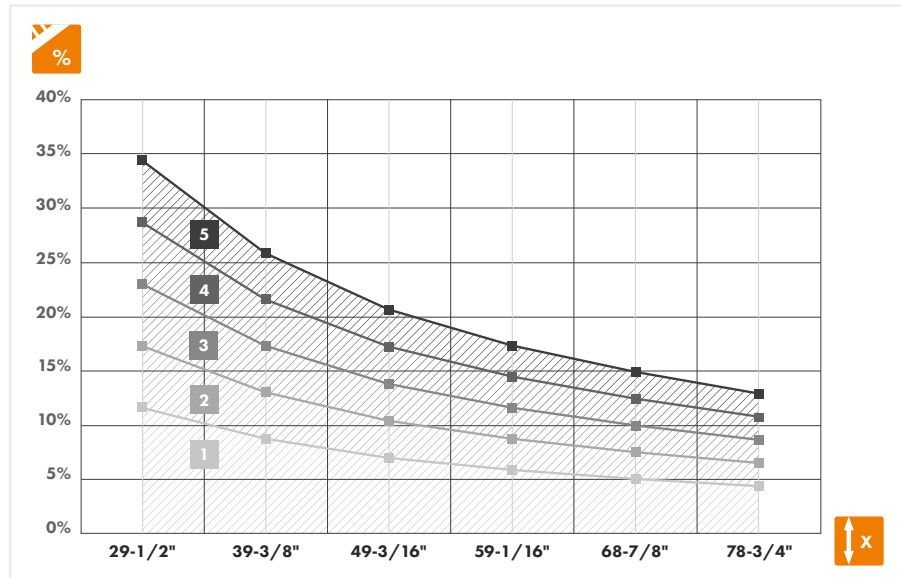
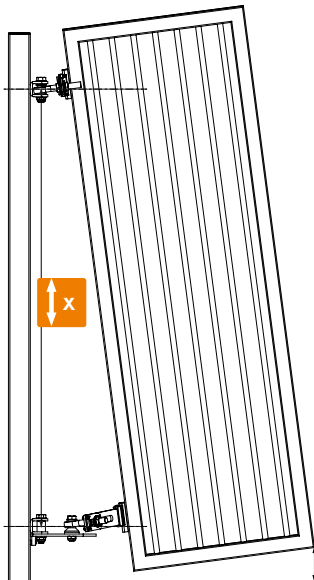


Order code

EXCENTRO-M16

Eyebolt M16

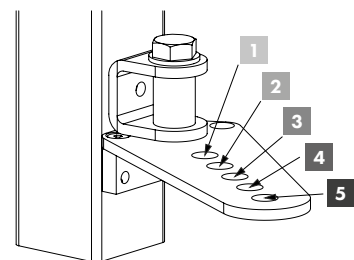
i For slopes from 2 up to 35%



Driveway slope percentage



Distance between hinges





Bolt-on U-shaped earplate with Quick-Fix

BOLTON-U-

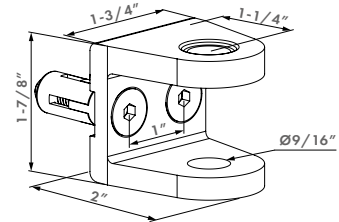
Fix easily and firmly the U-shaped earplate to the fix post with 2 Quick-Fix. Compatible with GBMU, GBMU4D and BOLTONHD-4D.

Color options

ALUM 6005 7016 9005

Specifications

- ✓ U-shaped earplate in aluminum
- ✓ Perfect combination with BOLTONHD-G-QF
- ✓ No welding required: drill holes and fix with Quick-Fix



Order codes

BOLTON-U-16-QF

BOLTON-U-12-QF

U-shaped earplate with Quick-Fix



Bolt-on GRIP in aluminum

BOLTON-P-

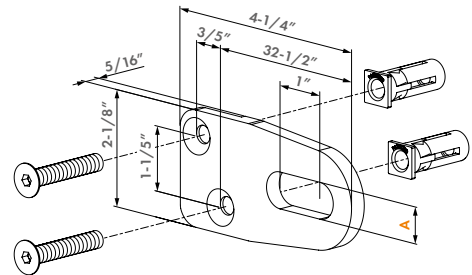
The aluminum GRIP is attached quickly, easily and firmly to the back of the gate profile with 2 Quick-Fix bolts. Using the Bolton-P allows you to prepare one gate for both left and right gates. This GRIP is a perfect fit for lighter gates, such as garden gates for example. Compatible with BOLTON-U earplate.

Color options

ALUM 6005 7016 9005

Specifications

- ✓ Max width of the gate: 59-1/16" (M12)
- ✓ Max weight of the gate: 110 lbs (M12)
- ✓ Max width of the gate: 78-3/4" (M16)
- ✓ Max weight of the gate: 165 lbs (M16)



Order codes

BOLTON-P-12-QF

A

1/2"

BOLTON-P-16-QF

11/16"



Bolt-on GRIP

BOLTONHD-G- (Patented)

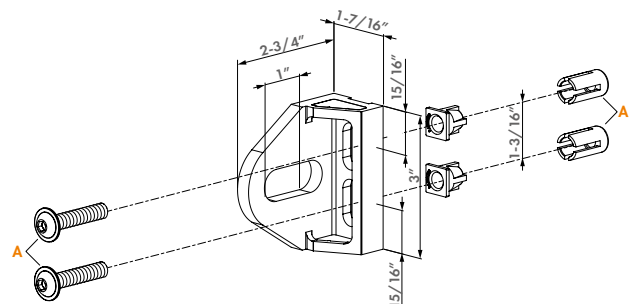
The GRIP can quickly and easily be firmly attached to the fixed post with 2 Quick-Fix attachments elements or with or internal threaded bushing fastening. Compatible with GBMU, GBMU4D and BOLTONHD-4D.

Color options

ALUM 6005 7016 9005

Specifications

- ✓ GRIP in aluminum
- ✓ No welding required: drill holes and fix with Quick-Fix
- ✓ The 40-60 version can be applied to tubes of 1-1/5" to 2-1/2"



Order codes

BOLTONHD-G-16-QF

A

Quick-Fix

180° Bolt-on 4D adjustable hinge

BOLTONHD-4D- (Patented)



24h
SHIPPING

This 180° hinge can be installed quickly without any welding. The BOLTON-HD-4D offers the same advantages as the Locinox GBMU hinge-line: vandal protection; a lot of adjustability (height, depth, and gap between gate and post); one part fits left or right handed gates. BOLTONHD-4D is available in M12 and M16, and always in 2 versions: one with Quick-Fix on both sides and one with Quick-Fix on the post, and on gate side a bolt through fixing for gate frames from 1.6" to 2.4".

Color options



6005

7016

9005



Specifications

- ✔ Easy to fix with Quick-Fix or bolt through fixing
- ✔ Vandal-proof eyebolt & crossbolt
- ✔ 180° opening
- ✔ Hot-dip galvanized eyebolt and crossbolt
- ✔ Max width of the gate: 6-1/2 ft

Hinge parts



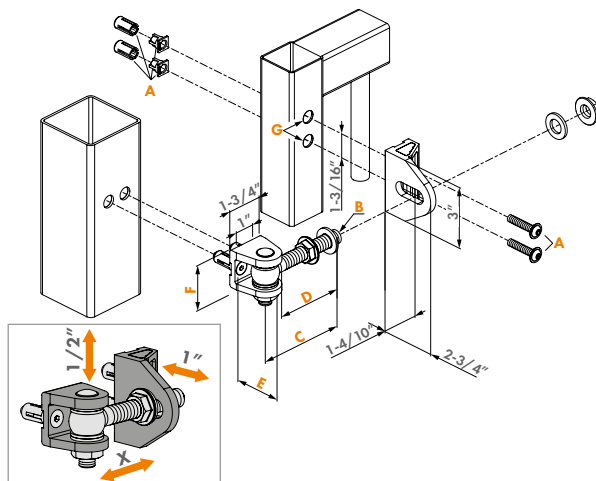
BOLTON-U-
P. 116



BOLTONHD-G-
P. 116



1034HDGA-
P. 122



Order codes & Dimensions

	lbs	A	B	C	D	E	F	G
BOLTONHD-4D-12-QF-90	220	Quick-Fix	M12	3-9/16"	2-3/4"	1-5/8"	1-3/8"	Ø5/8"
BOLTONHD-4D-16-QF-110	440	Quick-Fix	M16	4-3/8"	3-3/8"	2"	1-7/8"	Ø5/8"



Hinges for
industrial gates

i Gate wing standardization

With Locinox you can easily **standardize and stock only one type of gate wing** which can be used on **left- or right turning gates** or on **double wing gates**. Our extensive product range allows you to use the same wing for the lock and the keep. A counterbox ensures a **uniform and aesthetic look**. The orientation of the GRIP of our GBMU4D hinge makes it possible to determine during installation whether the wing will be used for left or right turning.



100% modular



Time-saving



Left/right reversible



Easy to stack



1 gate profile,
lots of possibilities



Only 1 drill pattern

Advantages of wing standardization

Easy to stack and transport

A gate wing where the hardware such as hinges and locks can be installed afterwards. Easier to stack, to keep on stock and easier to transport!



Hinge, lock and keep reversibility

A gate wing can be used for left or right turning. Locinox locks and keeps are reversible and the hinges can be installed in both directions.



Right turning gate



Left turning gate



Double wing gate





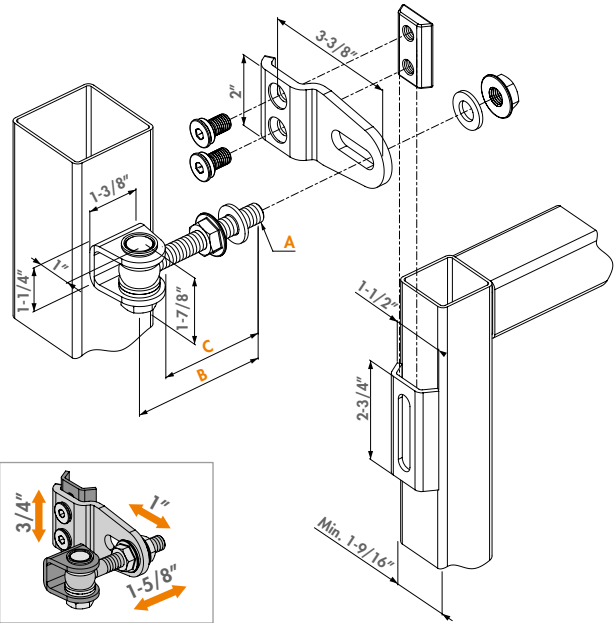
180° weld-on 4D adjustable hinge

GBMU4D12 (Patented)

4-way adjustable, hot-dip galvanized 180° hinge. Depth and spacing between gate and post are adjustable after installation. No more left or right swinging gates in stock. Only one gate wing should be produced for both left and right turning gates. The welding parts are available in black steel or zinc plated.

Specifications

- ✓ 180° opening and closing angle
- ✓ Hot-dip galvanized eyebolt and Grip
- ✓ 500h salt spray resistant



Hinge parts



1001U
P. 126

KLAUW12
P. 126

GRIP12
P. 128

4DFIX-I-12
P. 127

Order codes & Dimensions

Welding parts in black steel (B)

Welding parts zinc plated (Z)

220 lbs

A **B** **C**
Eyebolt M12 Length 3-9/16" 2-3/4"

GBMU4D12-B-90

GBMU4D12-Z-90



**24h
SHIPPING**

180° weld-on 4D adjustable hinge

GBMU4D16 (Patented)

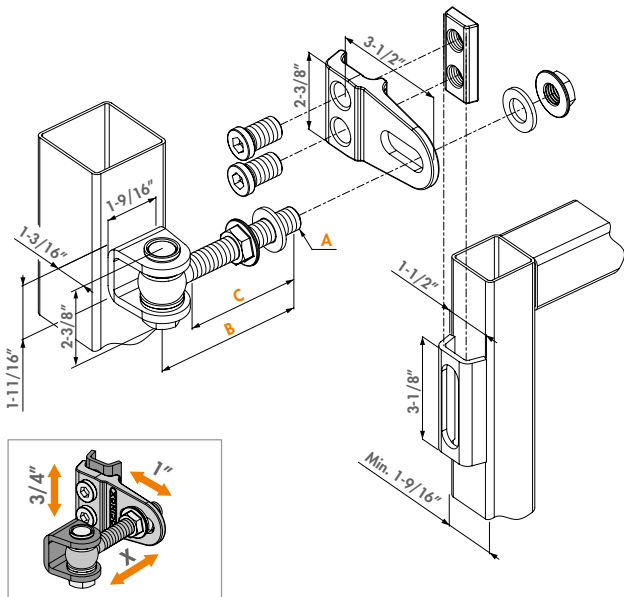
4-way adjustable, hot-dip galvanized 180° hinge. Depth and spacing between gate and post are adjustable after installation. Only one gate wing should be produced for both left and right turning gates. The welding parts are available in black steel or zinc plated.

Grip color options



Specifications

- ✓ 180° opening and closing angle
- ✓ Hot-dip galvanized eyebolt and Grip
- ✓ 500h salt spray resistant



Hinge parts



1001U
P. 126

KLAUW-16
P. 127

GRIP16
P. 128

4DFIX-I
P. 127

Order codes & Dimensions

Welding parts in black steel (B)

Welding parts zinc plated (Z)

440 lbs

A **B** **C**
Eyebolt M16 Length 4-3/8" 3-3/8"
Eyebolt M16 Length 5-7/8" 4-15/16"

GBMU4D16-B-110 **24h
SHIPPING**

GBMU4D16-Z-110

GBMU4D16-B-150

GBMU4D16-Z-150



4-way adjustable 180° hinge

GBMU4D20 (Patented)

4-way adjustable, hot-dip galvanized 180° hinge. Depth and spacing between gate and post are adjustable after installation. No more left or right swinging gates in stock. Only one gate wing should be produced for both left and right turning gates. The welding parts are available in black steel or zinc plated.

24h SHIPPING

Grip color options



6005 6009 7016 9005

Specifications

- ✓ 180° opening and closing angle
- ✓ Hot-dip galvanized eyebolt and Grip
- ✓ 500h salt spray resistant

Hinge parts



1001U-B-20
P. 126



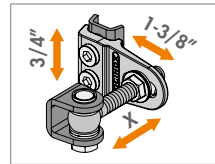
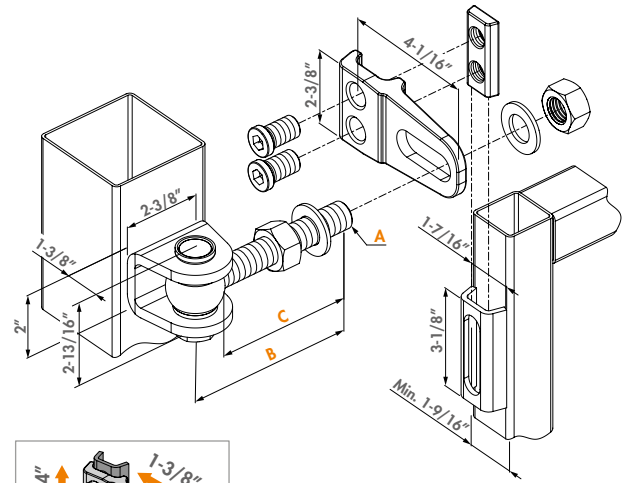
KLAUW-
P. 127



GRIP20
P. 128



4DFIX-I
P. 127



Order codes & Dimensions

Welding parts in black steel (B)

Welding parts zinc plated (Z)



A B C

GBMU4D20-B-130
GBMU4D20-B-150

GBMU4D20-Z-130
GBMU4D20-Z-150

880 lbs
880 lbs

Eyebolt M20 Length 5-1/8" 4-1/8"
Eyebolt M20 Length 5-7/8" 4-1/2"

Hinges for industrial gates



4-way adjustable vandal-proof 180° hinge

GBMU4DSHIELD (Patented)

Vandal-proof hot dip galvanized 180° hinge. This secured version of the GBMU4D 16 hinge provides extra security since the eyebolt or cross bolt can not be tampered with. With the 4-way adjustability you no longer have to keep left or right turning gates in stock. Height, depth, left and right alignment and turning direction are individually adjustable.

Specifications

- ✓ 180° opening and closing angle
- ✓ Hot-dip galvanized eyebolt and Grip
- ✓ Vandal-proof Grip-shield included
- ✓ 500h salt spray resistant

Compatible hinge parts



1001U
P. 126



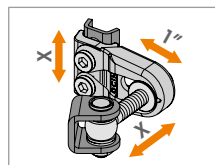
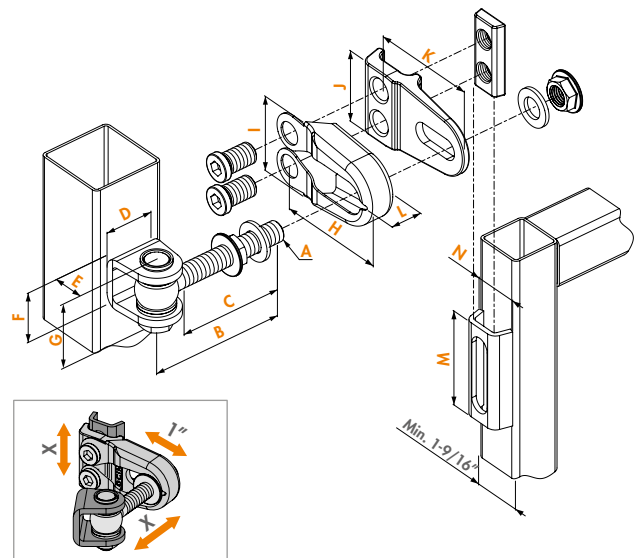
KLAUW-
P. 127



GRIP16
P. 128



4DFIX-I
P. 127



Order codes & Dimensions

Welding parts in black steel (B)

Welding parts zinc plated (Z)



A B C D E F G H I J K L M N

GBMU4DSHIELD-12-B-90
GBMU4DSHIELD-16-B-110

GBMU4DSHIELD-12-Z-90
GBMU4DSHIELD-16-Z-110

220 lbs
440 lbs

M12 3-9/16" 2-3/4" 1-3/8" 15/16" 1-1/4" 1-7/8" 3-7/16" 2-3/16" 2" 3-3/8" 15/16" 2-3/4" 1-1/2"
M16 4-5/16" 3-3/8" 1-9/16" 1-3/16" 1-5/8" 2-3/8" 3-9/16" 2-1/2" 2-3/8" 3-7/16" 1" 3-1/8" 1-7/16"

Hinge comparison

INDUSTRIAL GATE HINGES

For industrial gates, we offer a wide range of strong and durable hinges. These 4-way adjustable hinges are hot-dip galvanized, have 180° opening angle and can be welded onto the gate post.

For situations in which welding is not an option, we suggest the BOLTON range (pg 116).

Order codes



Information

		A	B	C	D	E	F	G	H	I	J	K	L	M	N
GBMU4D12															
GBMU4D12-B-90	220 lbs	M12	3-9/16"	2-3/4"	1-3/8"	1"	1-1/4"	1-7/8"			2"	3-3/8"		2-3/4"	1-1/2"
GBMU4D12-Z-90	220 lbs	M12	3-9/16"	2-3/4"	1-3/8"	1"	1-1/4"	1-7/8"			2"	3-3/8"		2-3/4"	1-1/2"
GBMU4D16															
GBMU4D16-B-110	440 lbs	M16	4-3/8"	3-3/8"	1-9/16"	1-3/16"	1-11/16"	2-3/8"			2-3/8"	3-1/2"		3-1/8"	1-1/2"
GBMU4D16-Z-110	440 lbs	M16	4-3/8"	3-3/8"	1-9/16"	1-3/16"	1-11/16"	2-3/8"			2-3/8"	3-1/2"		3-1/8"	1-1/2"
GBMU4D16-B-150	440 lbs	M16	5-7/8"	4-15/16"	1-9/16"	1-3/16"	1-11/16"	2-3/8"			2-3/8"	3-1/2"		3-1/8"	1-1/2"
GBMU4D16-Z-150	440 lbs	M16	5-7/8"	4-15/16"	1-9/16"	1-3/16"	1-11/16"	2-3/8"			2-3/8"	3-1/2"		3-1/8"	1-1/2"
GBMU4D20															
GBMU4D20-B-130	880 lbs	M20	5-1/8"	4-1/8"	2-3/8"	1-3/8"	2"	2-13/16"			2-3/8"	4-1/16"		3-1/8"	1-7/16"
GBMU4D20-Z-130	880 lbs	M20	5-1/8"	4-1/8"	2-3/8"	1-3/8"	2"	2-13/16"			2-3/8"	4-1/16"		3-1/8"	1-7/16"
GBMU4D20-B-150	880 lbs	M20	5-7/8"	4-1/2"	2-3/8"	1-3/8"	2"	2-13/16"			2-3/8"	4-1/16"		3-1/8"	1-7/16"
GBMU4D20-Z-150	880 lbs	M20	5-7/8"	4-1/2"	2-3/8"	1-3/8"	2"	2-13/16"			2-3/8"	4-1/16"		3-1/8"	1-7/16"
GBMU4DSHIELD															
GBMU4DSHIELD-12-B-90	220 lbs	M12	3-9/16"	2-3/4"	1-3/8"	15/16"	1-1/4"	1-7/8"	3-7/16"	2-3/16"	2"	3-3/8"	15/16"	2-3/4"	1-1/2"
GBMU4DSHIELD-12-Z-90	220 lbs	M12	3-9/16"	2-3/4"	1-3/8"	15/16"	1-1/4"	1-7/8"	3-7/16"	2-3/16"	2"	3-3/8"	15/16"	2-3/4"	1-1/2"
GBMU4DSHIELD-16-B-110	440 lbs	M16	4-5/16"	3-3/8"	1-9/16"	1-3/16"	1-5/8"	2-3/8"	3-9/16"	2-1/2"	2-3/8"	3-7/16"	1"	3-1/8"	1-7/2"
GBMU4DSHIELD-16-Z-110	440 lbs	M16	4-5/16"	3-3/8"	1-9/16"	1-3/16"	1-5/8"	2-3/8"	3-9/16"	2-1/2"	2-3/8"	3-7/16"	1"	3-1/8"	1-7/2"

GBMU4D12

P. 119



GBMU4D16

P. 119



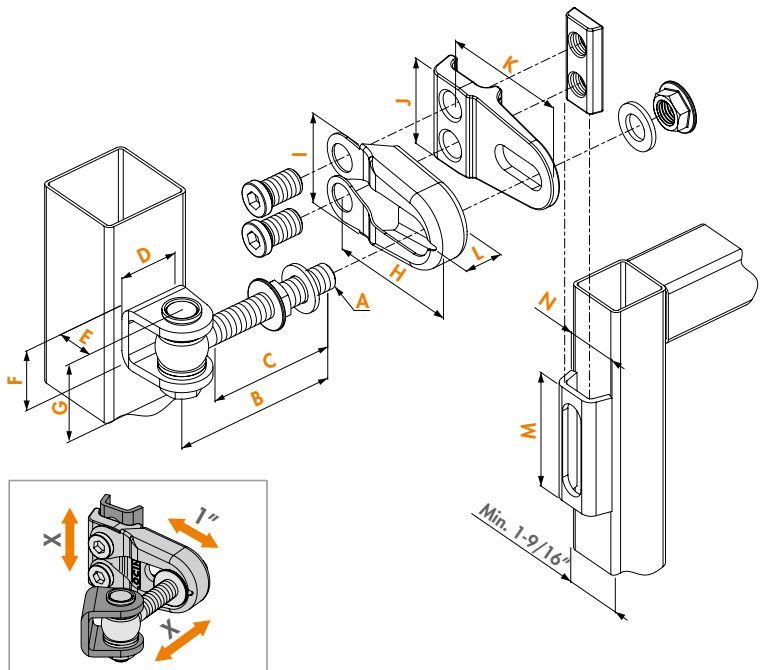
GBMU4D20

P. 120



GBMU4DSHIELD

P. 120





**24h
SHIPPING**

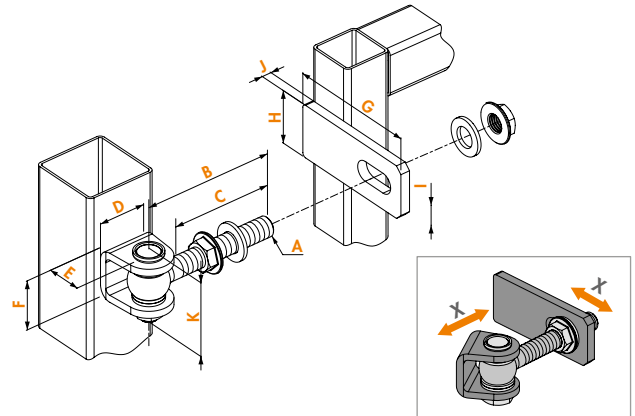
180° 3-way adjustable hinge

GBMU (Patented)

3-way adjustable hot-dip galvanized 180° hinge. Depth and spacing between gate and post are adjustable after installation. The welding parts are available in black steel or zinc plated.

Specifications

- ✔ Vandal-proof eyebolt & crossbolt
- ✔ 500h salt spray resistant



Order codes

Welding parts in black steel (B)		Welding parts zinc plated (Z)		lbs	A	B	C	D	E	F	G	H	I	J	K
GBMU-B-M12-90		GBMU-Z-M12-90		220 lbs	M12	3-1/2"	2-3/4"	1-3/8"	1"	1-1/4"	3-1/2"	1-3/8"	1/2"	1/4"	1-7/8"
GBMU-B-M16-110	24h SHIPPING	GBMU-Z-M16-110		440 lbs	M16	4-3/8"	3-3/8"	1-5/8"	1-1/8"	1-5/8"	4-3/8"	1-3/4"	5/8"	5/16"	2-3/8"
GBMU-B-M16-150		GBMU-Z-M16-150		440 lbs	M16	5-7/8"	4-7/8"	1-5/8"	1-1/8"	1-5/8"	4-3/8"	1-3/4"	5/8"	5/16"	2-3/8"
GBMU-B-M18-105		GBMU-Z-M18-105		550 lbs	M18	4-1/8"	3-1/8"	2"	1-1/8"	1-5/8"	4-3/4"	2"	3/4"	5/16"	2-1/2"
GBMU-B-M18-150		GBMU-Z-M18-150		550 lbs	M18	5-7/8"	4-7/8"	2"	1-1/8"	1-5/8"	4-3/4"	2"	3/4"	5/16"	2-1/2"
GBMU-B-M20-130		GBMU-Z-M20-130		880 lbs	M20	5-1/8"	4-1/8"	2-3/8"	1-3/8"	2"	5-1/8"	2-3/8"	13/16"	1/2"	2-13/16"
GBMU-B-M20-150		GBMU-Z-M20-150		880 lbs	M20	5-7/8"	4-1/2"	2-3/8"	1-3/8"	2"	5-1/8"	2-3/8"	13/16"	1/2"	2-13/16"
GBMU-B-M22-145		GBMU-Z-M22-145		970 lbs	M22	5-3/4"	4-1/2"	2-3/8"	1-3/8"	2"	5-1/8"	2-3/8"	15/16"	1/2"	2-7/8"
GBMU-B-M22-160		GBMU-Z-M22-160		970 lbs	M22	6-1/4"	5-1/8"	2-3/8"	1-3/8"	2"	5-1/8"	2-3/8"	15/16"	1/2"	2-7/8"



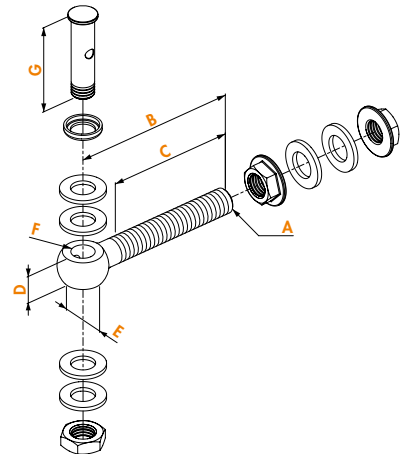
Hot-dip galvanized eyebolt set

1034HDGA- (Patented)

Eyebolt set hot dip galvanized. Vandal-proof.

Specifications

- ✔ Hot-dip galvanized bearing eyebolt, transverse bolt and screws
- ✔ Stainless steel ring (6 x DIN125A)
- ✔ Vandal and tamper proof
- ✔ 500h salt spray resistant



Order codes

	A	B	C	D	E	F	G
1034HDGA-M12-90	M12	Length 3-9/16"	2-3/4"	9/16"	15/16"	Ø1/2"	1-7/8"
1034HDGA-M16-110	M16	Length 4-5/16"	3-3/8"	3/4"	1-1/4"	Ø9/16"	2-3/8"
1034HDGA-M16-150	M16	Length 5-15/16"	4-15/16"	3/4"	1-1/4"	Ø9/16"	2-3/8"
1034HDGA-M18-105	M18	Length 4-1/8"	3-1/8"	13/16"	1-7/16"	Ø5/8"	2-7/16"
1034HDGA-M18-150	M18	Length 5-15/16"	4-15/16"	13/16"	1-7/16"	Ø5/8"	2-7/16"
1034HDGA-M20-130	M20	Length 5-1/8"	4-1/8"	7/8"	1-9/16"	Ø3/4"	2-13/16"
1034HDGA-M20-150	M20	Length 5-15/16"	4-1/2"	7/8"	1-9/16"	Ø3/4"	2-13/16"
1034HDGA-M22-145	M22	Length 5-11/16"	4-1/2"	15/16"	1-5/8"	Ø13/16"	2-15/16"
1034HDGA-M22-160	M22	Length 6-5/16"	5-1/8"	15/16"	1-5/8"	Ø13/16"	2-15/16"



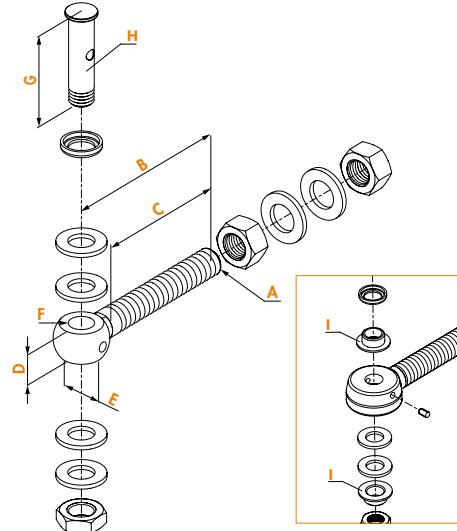
Corrosion-resistant and vandal-proof eyebolt set

1034A2-

Corrosion-resistant and vandal-proof eyebolt set in stainless steel.

Specifications

- ✔ M16 Eyebolt set in stainless steel, including: eyebolt, cross bolt, nuts and washers
- ✔ Vandal and tamper proof
- ✔ 500h salt spray resistant



Order code

1034A2-M16-110-50

A B C D E F G
M16 Length 4-5/16" 3-3/8" 3/4" 1-1/4" Ø9/16" 2-3/8"



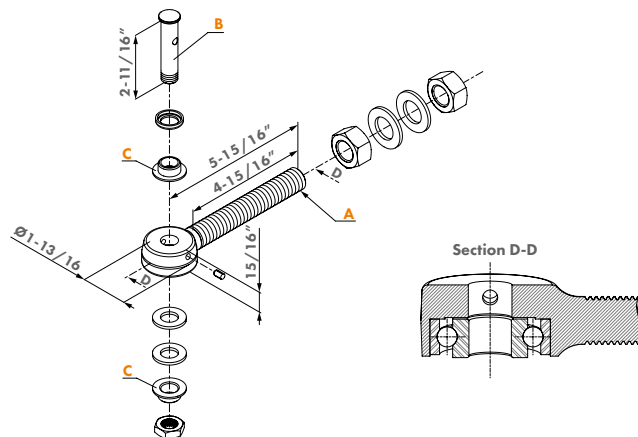
Hot-dip galvanized bearing eyebolt for 3D and 4D hinges

1034ROLL-HDG-

The bearing eyebolt can be integrated in any Locinox GBMU M16 and M20 hinge. The eyebolt ensures a smooth opening and closing and is perfect in combination with Locinox gate closers. It has a stainless steel anti-theft crossbolt.

Specifications

- ✔ Use with Locinox gate closers recommended
- ✔ Hot-dip galvanized bearing eyebolt, transverse bolt and screws
- ✔ Stainless steel ring (6 x DIN125A)
- ✔ Dual sealed stainless steel bearings
- ✔ Vandal and tamper proof
- ✔ 500h salt spray resistant



Order codes

1034ROLL-HDG-M16

1034ROLL-HDG-M20

A B C
Eyebolt M16 Crossbolt Ø9/16"
Eyebolt M20 Crossbolt Ø9/16" Ø3/4" => Ø9/16"

i Eyebolt set comparison

EYEBOLT SETS

Stainless steel or hot dip galvanized bearing eyebolts are essential for the connection between pole and gate and enabling the rotating functionality of any hinge. We offer some vandal-proof options that can easily be combined with various other parts to become an industrial quality hinge. These sets include eyebolt, transverse or crossbolt and screws.

Order codes	Information								
	A	B	C	D	E	F	G	H	I
1034HDGA									
1034HDGA-M12-90	M12	3-9/16"	2-3/4"	9/16"	15/16"	Ø 1/2"	1-7/8"	Crossbolt 1/2"	
1034HDGA-M16-110	M16	4-5/16"	3-3/8"	3/4"	1-1/4"	Ø 9/16"	2-3/8"	Crossbolt 9/16"	
1034HDGA-M16-150	M16	5-15/16"	4-15/16"	3/4"	1-1/4"	Ø 9/16"	2-3/8"	Crossbolt 9/16"	
1034HDGA-M18-105	M18	4-1/8"	3-1/8"	13/16"	1-7/16"	Ø 5/8"	2-7/16"	Crossbolt 5/8"	
1034HDGA-M18-150	M18	5-15/16"	4-15/16"	13/16"	1-7/16"	Ø 5/8"	2-7/16"	Crossbolt 5/8"	
1034HDGA-M20-130	M20	5-1/8"	4-1/8"	7/8"	1-9/16"	Ø 3/4"	2-13/16"	Crossbolt 7/10"	
1034HDGA-M20-150	M20	5-15/16"	4-1/2"	7/8"	1-9/16"	Ø 3/4"	2-13/16"	Crossbolt 7/10"	
1034HDGA-M22-145	M22	5-11/16"	4-1/2"	15/16"	1-5/8"	Ø 13/16"	2-15/16"	Crossbolt 3/4"	
1034HDGA-M22-160	M22	6-5/16"	5-1/8"	15/16"	1-5/8"	Ø 13/16"	2-15/16"	Crossbolt 3/4"	
1034A2									
1034A2-M16-110-50	M16	4-5/16"	3-3/8"	3/4"	1-1/4"	Ø 9-16"	2-3/8"	Crossbolt 9/16"	
1034ROLL-HDG-									
1034ROLL-HDG-M16	M16	5-15/16"	4-15/16"	15/16"	1-13/16"		2-11/16"	Crossbolt 9/16"	
1034ROLL-HDG-M20	M20	5-15/16"	4-15/16"	15/16"	1-13/16"		2-11/16"	Crossbolt 9/16"	3/4"→9/16"

1034HDGA

P. 122



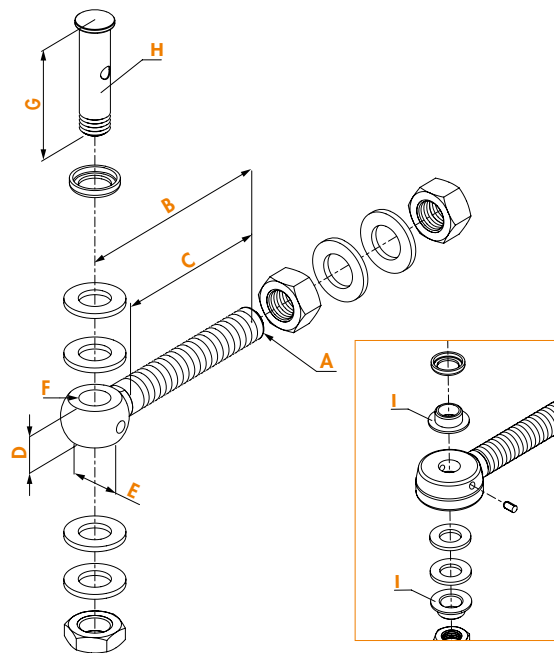
1034A2

P. 123



1034ROLL-HDG-

P. 123







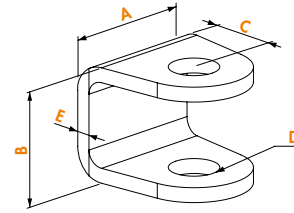
U-shaped ear plate in black steel

1001U

U-shaped ear plate in black steel for 180° hinges

Specifications

- ✓ U-shaped ear plate to weld on in black steel or zinc plated



Order codes

Black steel (B)	Zinc plated (Z)	A	B	C	D	E
1001U-B-12	1001U-Z-12	1-3/8"	1-1/4"	15/16"	Ø1/2"	3/16"
1001U-B-16	1001U-Z-16	1-9/16"	1-5/8"	1-3/16"	Ø9/16"	1/4"
1001U-B-18	1001U-Z-18	1-9/16"	1-5/8"	1-3/16"	Ø11/16"	1/4"
1001U-B-20	1001U-Z-20	2-3/8"	2"	1-3/8"	Ø3/4"	5/16"
1001U-B-22	1001U-Z-22	2-3/8"	2"	1-3/8"	Ø13/16"	5/16"



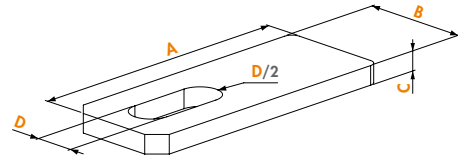
Groove plate in black steel

1002M

Groove plate in black steel for 180° hinges

Specifications

- ✓ Black steel or zinc plated groove plate to weld on



Order codes

Black steel (B)	Zinc plated (Z)	A	B	C	D
1002M-B-12	1002M-Z-12	3-9/16"	1-3/8"	1/4"	1/2"
1002M-B-16	1002M-Z-16	4-5/16"	1-3/4"	5/16"	11/16"
1002M-B-18	1002M-Z-18	4-3/4"	2"	5/16"	3/4"
1002M-B-20	1002M-Z-20	5-1/8"	2-3/8"	1/2"	13/16"
1002M-B-22	1002M-Z-22	5-1/8"	2-3/8"	1/2"	15/16"

Gate claw (Special Order Only)

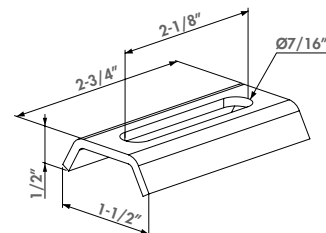
KLAUW12

Black steel or zinc plated gate claw to weld on. Compatible with GBMU4DSHIELD-12.



Specifications

- ✓ Gate claw in black steel



Order codes

Black steel (B)	Zinc plated (Z)	
KLAUW12-B	KLAUW12-Z	Compatible with GRIP12 & 4DFIX-I-13



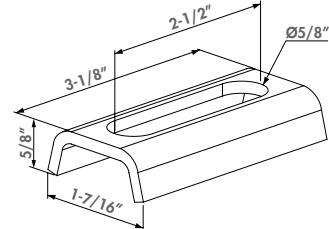
Gate Claw

KLAUW-

Black steel or zinc plated welding part for a precise, strong and aesthetic connection to (min.) 1-9/16" profiles. Compatible with GBMU4D16, GBMU4D20 and Bearing Hinge.

Specifications

- ✔ Gate claw in black steel or zinc plated



Order codes

Black steel (B)

Zinc plated (Z)

KLAUW-B

KLAUW-Z

Compatible with GRIP16, GRIP20 & 4DFIX-I



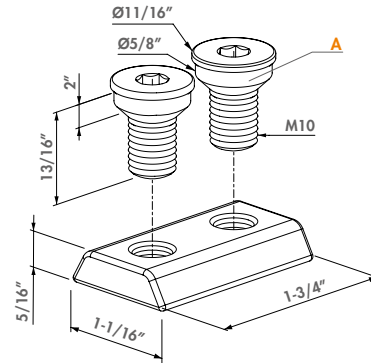
Claw nut and bolts for 4D hinges

4DFIX-I-12

Hot-dip galvanized claw nut with stainless steel M10 bolts. Part of the GBMU4D12 hinge.

Specifications

- ✔ Claw nut hot-dip galvanized
- ✔ 2 stainless steel bolts M10 x 13/16"
- ✔ Component of the GBMU4DSHIELD12 hinge



Order code

4DFIX-I-12

A

Bolts: M10x13/16" (2x)



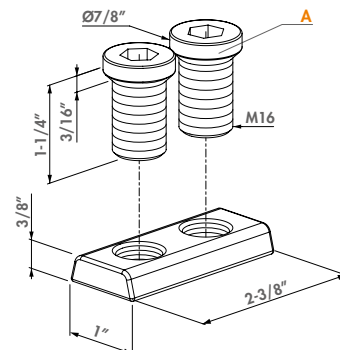
Claw nut and bolts for 4D hinges (Special Order Only)

4DFIX-I

Hot-dip galvanized claw nut with stainless steel M16 bolts. Part of the GBMU4D16 and 20 hinge.

Specifications

- ✔ Claw nut hot-dip galvanized
- ✔ 2 bolts M16 x 1-1/4" in stainless steel
- ✔ Applicable for 4D16 and 4D20 hinges



Order code

4DFIX-I

A

Bolts: M16 x 1-1/4" (2x)



Fixation grip for hinge GBMU4D12

GRIP12

Fixation grip for hinge GBMU4D12

Color options

6005 6009 7016 9005

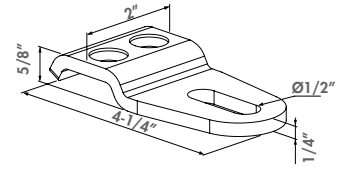
Specifications

- Hot-dip galvanized steel

Order code

GRIP12

Compatible eyebolt set: 1034HDGA-M12-90



Fixation Grip for hinge GBMU4D16 (Special Order Only)

GRIP16

Fixation Grip for hinge GBMU4D16 (Special Order Only)

Color options

ALUM 6005 6009 7016 9005

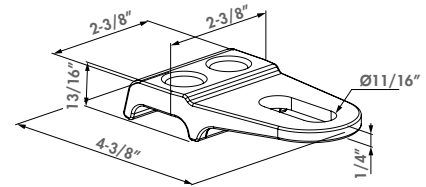
Specifications

- Hot-dip galvanized steel

Order code

GRIP16

Compatible eyebolt set: 1034HDGA-M16 or 1034ROLL-M16



Fixation grip for hinge GBMU4D16 with larger depth adjustment

GRIP16-L

This extra long GRIP out of hot-dip galvanized steel allows you to center mount a gate on a fixed post from 2-3/4" up to 4-3/4". For GBMU4D16 hinge only.

ALUM

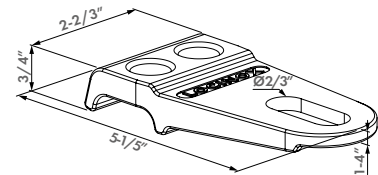
Specifications

- Hot-dip galvanized steel

Order code

GRIP16-L

Compatible eyebolt set: 1034HDGA-M16 or 1034ROLL-M16



Fixation Grip for hinge GBMU4D20 (Special Order Only)

GRIP20

Fixation Grip for hinge GBMU4D20 (Special Order Only)

Color options

ALUM 6005 6009 7016 9005

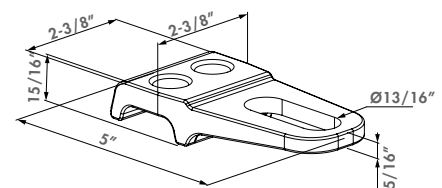
Specifications

- Hot-dip galvanized steel

Order code

GRIP20

Compatible eyebolt set: 1034HDGA-M20



90° adjustable hinge

G90Z (Patented)

Hot-dip galvanized 90° hinge. The perfect solution for all your small industrial gates.



24h
SHIPPING

Specifications

- ✓ 90° opening
- ✓ Nut in black steel for welding
- ✓ Earplate in black steel or cold zinc plated
- ✓ Vandal and tamper proof
- ✓ 500h salt spray resistant

Hinge parts



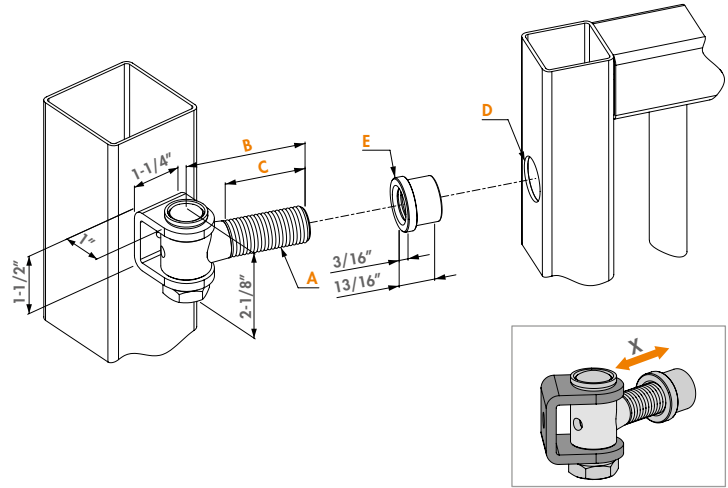
1036
P. 131



1039SET
P. 130



1127
P. 131



Order codes

Welding parts in black steel (B)	Welding parts zinc plated (Z)	LBS	A	B	C	D	E
G90Z-B-M16-65	G90Z-Z-M16-65	330 lbs	M16	2-1/2"	1-7/8"	Ø7/8"	Ø1"
G90Z-B-M16-110	G90Z-Z-M16-110	330 lbs	M16	3-5/16"	3-5/8"	Ø7/8"	Ø1"
G90Z-B-M16-150	G90Z-Z-M16-150	330 lbs	M16	5-7/8"	5-2/8"	Ø7/8"	Ø1"
G90Z-B-M20-67	G90Z-Z-M20-67	660 lbs	M20	2-5/8"	1-3/4"	Ø1"	Ø1-1/8"
G90Z-B-M20-150	G90Z-Z-M20-150	660 lbs	M20	5-7/8"	5"	Ø1"	Ø1-1/8"

Vandal-proof one way 90° hinge with adjustable welding nut

G90LR (Patented)

Vandal-proof hot-dip galvanized 90° hinge. This hinge is the perfect solution for all your small industrial gates. The eyebolt can not be tampered with when the gate is closed. With the LR welding nut you can easily adjust the hinge.



Specifications

- ✓ 90° opening
- ✓ Adjustable nut zinc plated
- ✓ Zinc-plated earplate
- ✓ Vandal and tamper proof
- ✓ 500h salt spray resistant

Hinge parts



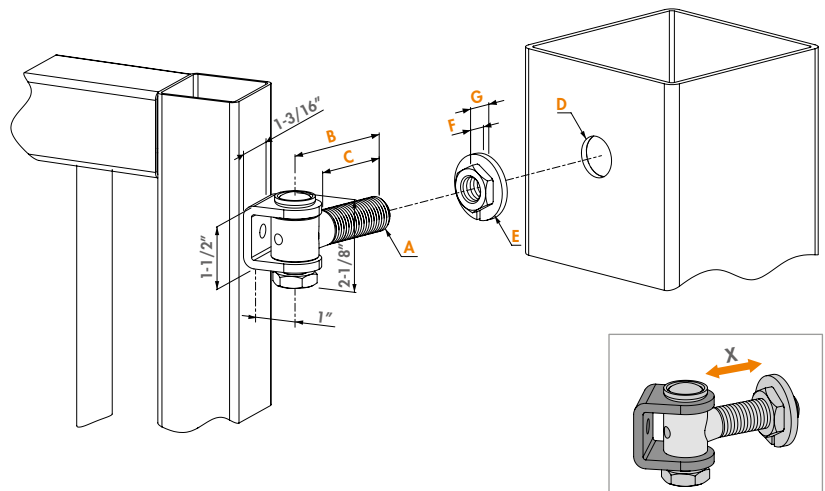
1036-Z
P. 131



1039SET
P. 130



LR
P. 134



Order codes

Welding parts zinc plated (Z)	LBS	A	B	C	D	E	F	G
G90LR-Z-M16-65	330 lbs	M16	Length 2-9/16"	1-7/8"	Ø1"	Ø1-1/2"	3/8"	9/16"
G90LR-Z-M16-110	330 lbs	M16	Length 4-5/16"	3-5/8"	Ø1"	Ø1-1/2"	3/8"	9/16"
G90LR-Z-M16-150	330 lbs	M16	Length 5-15/16"	5-3/16"	Ø1"	Ø1-1/2"	3/8"	9/16"
G90LR-Z-M20-67	660 lbs	M20	Length 2-5/8"	1-3/4"	Ø1-1/4"	Ø1-13/16"	7/16"	11/16"
G90LR-Z-M20-150	660 lbs	M20	Length 5-15/16"	5-1/16"	Ø1-1/4"	Ø1-13/16"	7/16"	11/16"



Vandal-proof one way 90° hinge with adjustable steel wall plate

G90WP (Patented)

Vandal-proof hot-dip galvanized 90° hinge. This secured hinge is the perfect solution for all your small and medium-sized gates. The eyebolt can not be tampered with when the gate is closed. Thanks to the wall plate with adjustable nut you can easily adjust the hinge.

Specifications

- ✓ 90° opening
- ✓ Wall plate with adjustable nut
- ✓ Black steel ear plate for welding
- ✓ Vandal and tamper proof
- ✓ 500h salt spray resistant

Hinge parts



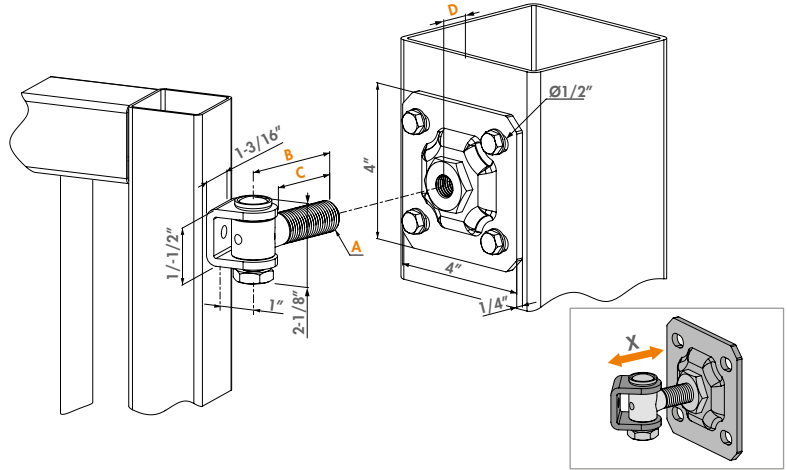
1036-B
P. 131



1039SET
P. 130



1005WP
P. 134



Order codes

Welding parts in black steel (B)

	lbs	A	B	C	D
G90WP-B-M16-65	330 lbs	M16	Length 2-9/16"	1-7/8"	3/4"
G90WP-B-M16-110	330 lbs	M16	Length 4-5/16"	3-5/8"	3/4"
G90WP-B-M16-150	330 lbs	M16	Length 5-15/16"	5-3/16"	3/4"
G90WP-B-M20-67	660 lbs	M20	Length 2-5/8"	1-3/4"	13/16"
G90WP-B-M20-150	660 lbs	M20	Length 5-15/16"	5-1/16"	13/16"

Eyebolt set for earplate 1036

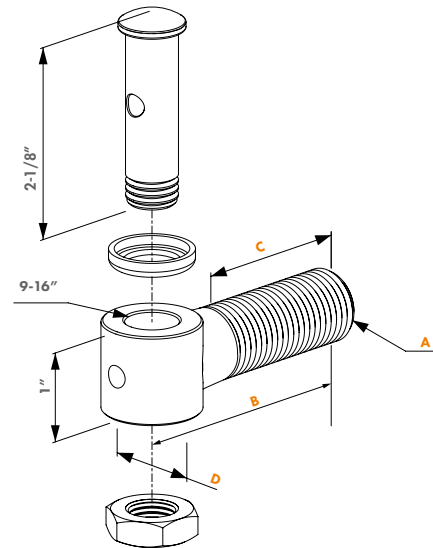
1039SET (Patented)

Eyebolt set for earplate 1036



Specifications

- ✓ Eyebolt and hot-dip galvanized bolt
- ✓ 500h salt spray resistant



Order codes

Hot-dip galvanized eyebolt set

	A	B	C	D
1039SET-M16-65	M16	Length 2-9/16"	1-7/8"	15/16"
1039SET-M16-110	M16	Length 4-5/16"	3-5/8"	15/16"
1039SET-M16-150	M16	Length 5-15/16"	5-3/16"	15/16"
1039SET-M20-67	M20	Length 2-5/8"	1-3/4"	1-1/16"
1039SET-M20-150	M20	Length 5-15/16"	5-1/16"	1-1/16"



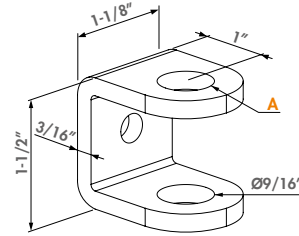
Earplate for eyebolt 1039SET (Special Order Only)

1036

Earplate for hinge 1039SET

Specifications

- ✓ U-shaped ear plate to weld on in black steel or zinc plated
- ✓ Compatible with hinge 1039SET-M16 and M20



Order codes

Black steel (B)	Zinc plated (Z)	A
1036-B	1036-Z	For crossbolt $\varnothing 9/16"$



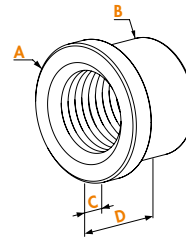
Weld nut (Special Order Only)

1127

M16 or M20 weld nut

Specifications

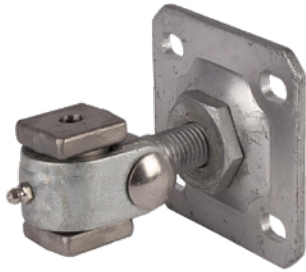
- ✓ Compatible with hinge 1039SET
- ✓ Black steel or zinc plated welding nut



Order codes

For eyebolt	Zinc plated (Z)	A	B	C	D
1127-M16	1127-Z-M16	$\varnothing 1"$	$\varnothing 13/16"$	$3/16"$	$13/16"$
1127-M20	1127-Z-M20	$\varnothing 1-3/16"$	$\varnothing 1"$	$3/16"$	$13/16"$





Ornamental hinge set with wall plate

G-ORNA-WP

Hot-dip galvanized hinge set including greaser and wall plate with adjustable nut for ornamental gates.

Specifications

- ✓ Ornamental hinge set
- ✓ Black steel or zinc plated welding base
- ✓ Hot-dip galvanized wall plate
- ✓ Hot-dip galvanized clamp hinge with stainless steel bolt
- ✓ Welding base 1-3/8" x 1-3/8", M20 clamp hinge

Hinge parts



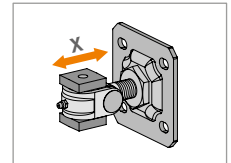
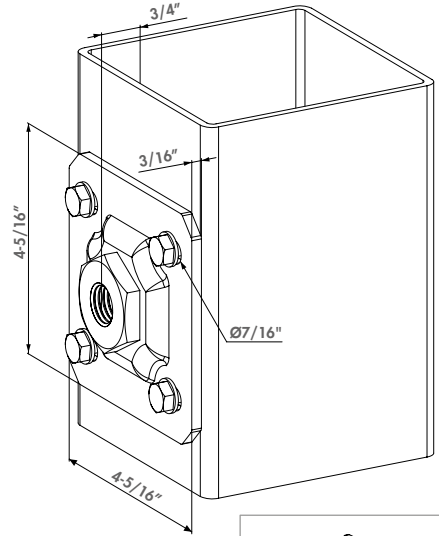
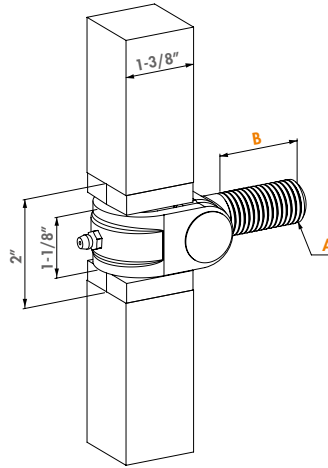
1002B
P. 133



1004ORNA
P. 133



1005WP-M20
P. 134



Order codes

Welding block in black steel (B)

G-ORNA-WP-B-M20



660 lbs

A

B

M20 Length 1-9/16"

Ornamental hinge set

G-ORNA-LR

Hot-dip galvanized hinge set including grease fitting and adjustable nut for ornamental gates.



Specifications

- ✓ Ornamental hinge set
- ✓ Black steel or zinc plated welding base
- ✓ Zinc plated adjustable nut
- ✓ Hot-dip galvanized clamp hinge with stainless steel bolt

Hinge parts



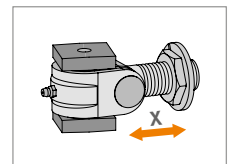
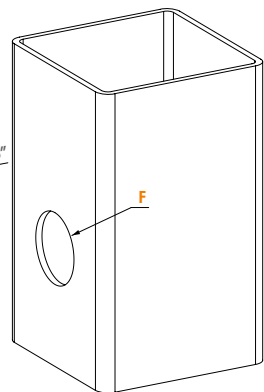
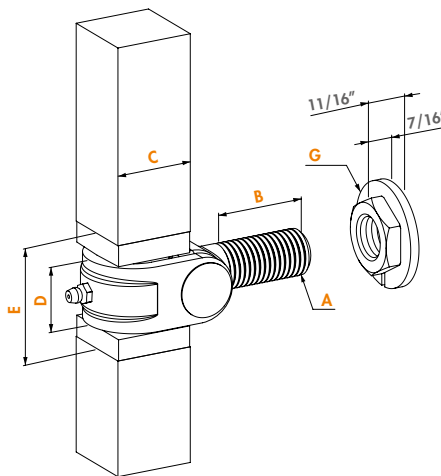
1002B
P. 133



1004ORNA
P. 133



LR
P. 134



Order codes

Welding block in black steel (B)

G-ORNA-LR-B-M20

Welding block zinc plated (Z)

G-ORNA-LR-Z-M20



660 lbs

880 lbs

1100 lbs

A

B

C

D

E

F

G

M20 Length 1-9/16" Welding base 1-3/8" 1-1/8" 2-1/16" Ø1-1/4" Ø1-13/16"

M24 Length 1-3/4" Welding base 1-9/16" 1-5/16" 2-1/4" Ø1-3/8" Ø2"

M27 Length 2-3/8" Welding base 2" 1-9/16" 2-7/16" Ø1-1/2" Ø2-1/16"



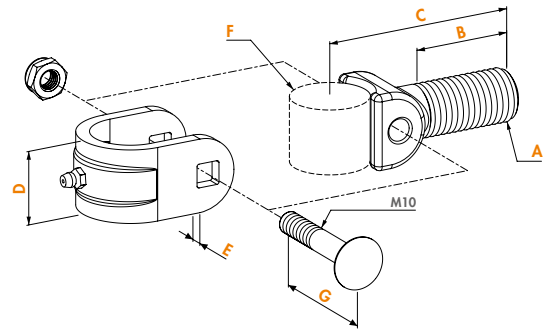
Clamp hinge

1004ORNA

Hot-dip galvanized clamp hinge.

Specifications

- ✔ Hot-dip galvanized clamp hinge with stainless steel bolt



Order codes

1004ORNA-M20

1004ORNA-M24

1004ORNA-M27

	A	B	C	D	E	F	G
M20	Length 1-9/16"	3-3/16"	1-1/8"	1/4"	Ø1-3/16"	2-3/16"	
M24	Length 1-3/4"	3-1/2"	1-5/16"	1/4"	Ø1-3/8"	2-3/8"	
M27	Length 2-9/16"	4-3/16"	1-9/16"	1/4"	Ø1-9/16"	2-9/16"	



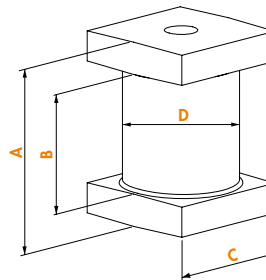
Welding block for ornamental hinge

1002B

Black steel welding bloc for ornamental clamp hinges.

Specifications

- ✔ Black steel welding base



Order codes

Black steel (B)

1002B-B-35

1002B-B-40

1002B-B-50

A	B	C	D
2-1/16"	1-1/4"	1-3/8"	Ø1-3/16"
2-1/4"	1-7/16"	1-9/16"	Ø1-3/8"
2-7/16"	1-5/8"	2"	Ø1-9/16"





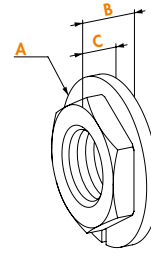
Adjustable nut (Special Order Only)

LR

Zinc-plated adjustable welding nut for ornamental gates. With this system you can finetune your ornamental gate.

Specifications

- ✔ Adjustable welding nut, zinc-plated



Order codes

	A	B	C
LR-M16	Ø1-1/2"	5/8"	7/16"
LR-M20	Ø1-13/16"	11/16"	7/16"
LR-M24	Ø2"	11/16"	7/16"
LR-M27	Ø2-1/16"	11/16"	7/16"

Wall plate hot-dip galvanized

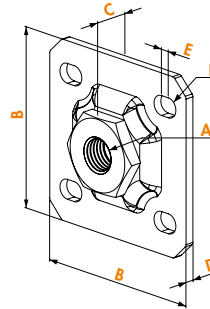
1005WP

Hot-dip galvanized wall plate with adjustable nut for garden gate hinges.



Specifications

- ✔ Steel wallplate hot dip galvanized



Order codes

	A	B	C	D	E	F
1005WP-M12	M12	2-3/8"	9/16"	1/8"	3/16"	Ø1/4"
1005WP-M16	M16	3-15/16"	3/4"	3/16"	3/16"	Ø7/16"
1005WP-M20	M20	3-15/16"	13/16"	3/16"	3/16"	Ø7/16"





180° 3-WAY ADJUSTABLE ORNAMENTAL HINGE

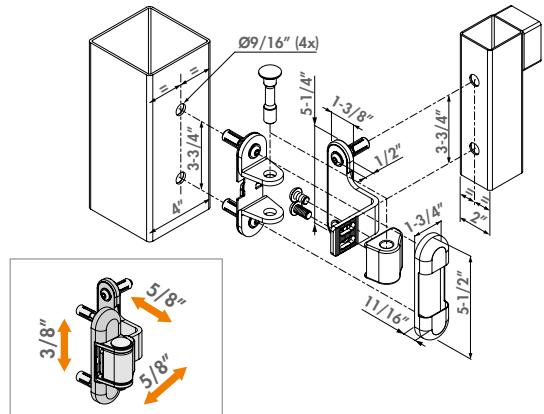
3DM (Patented)

Stainless steel hinge for aluminum and steel gates equipped with the fast Quick-Fix mounting hardware. The hinge is adjustable in three dimensions; height, left/right alignment and swing direction. Also available with hot-dip galvanized arm. This hinge is made to fit a 4" square post and a 1-1/2" to 2" gate frame.

24h
SHIPPING

Specifications

- ✓ 180° hinge for metal & aluminum gates with 4" Posts
- ✓ Innovative Quick-Fix mounting
- ✓ Reversible for left or right hand swing gates
- ✓ 5/8" adjustable in width, 3/8" in height and 5/8" in depth
- ✓ Vandal and tamper proof
- ✓ Hinge socket, axle and socket cover plate in stainless steel



Order codes

Hinge arm in stainless steel
3DM-VP100-P50-A2

Hinge arm in hot-dip galvanized steel
3DM-VP100-P50-HDG

 330 lbs

A
For Quick-Fix Ø5/8"



**24h
SHIPPING**

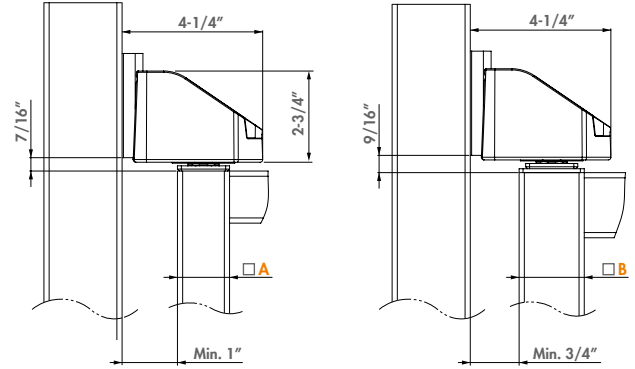
90° 2-Way adjustable bearing hinge

BEARING HINGE

Stainless steel maintenance free bearing hinge for mounting on all your automated gate projects. The hinge is adjustable in height and width.

Specifications

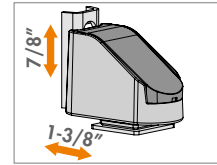
- ✓ Specially developed for automated gates
- ✓ Rust resistant housing
- ✓ Maintenance free sealed bearing
- ✓ Can be used as top & bottom hinge



Hinge part



KLAUW-
P. 127



Order code

BEARING HINGE

440 lbs

A **B**
Gate frame 1-9/16" x 1-9/16" 2" x 2"



**24h
SHIPPING**

2-WAY ADJUSTABLE DOUBLE BEARING HINGE

DINO

The Dino hinge is a double bearing hinge in an aluminum housing. The stainless steel bearings guarantee a smooth opening and closing of the gate. Easy to install with Quick-Fix.

Color options



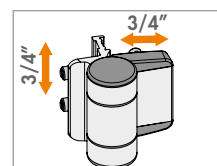
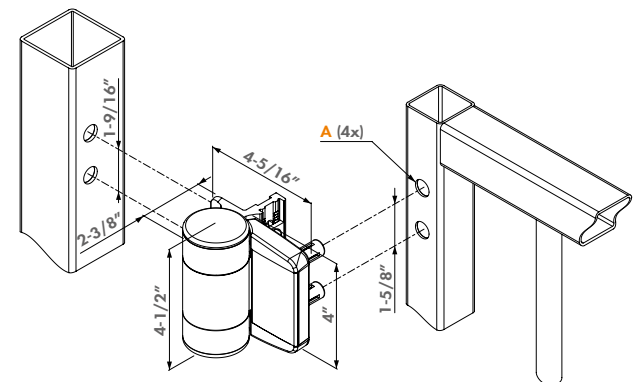
Specifications

- ✓ Aesthetic design & powder coated aluminum housing
- ✓ Mounting Hardware: Anti-theft & vandal-proof
- ✓ Fast and easy fixation with Quick-Fix bolts

Compatible gate closer



MAMMOTH-180
P. 14



Order code

DINO

330 lbs

A
For Quick-Fix Ø9/16"

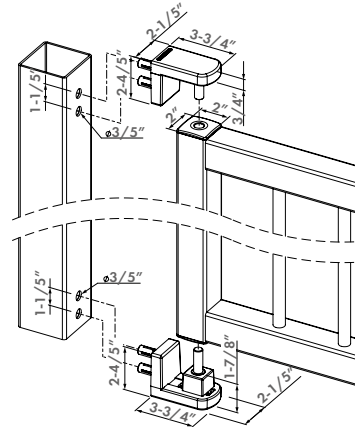


Compact, 2-way 90° hinge interchangeable with Interio gate closer NOSEHINGE-I

Adjustable and compact 90° hinge interchangeable with our invisible Interio gate closer over time. The inner parts are made out of durable extruded aluminum and guarantee thus a long life span. Easy installation guaranteed thanks to our patented Quick-Fix bolts. Given its sleek and aesthetic design, Nosehinge is a perfect fit for residential gates. For 2" gate frames only.

Specifications

- ✔ Made out of extruded aluminum parts with plastic covers
- ✔ Easy to fix with Quick-Fix
- ✔ For left and right handed gates
- ✔ Interchangeable with Interio gate closer
- ✔ 5/8" width adjustable and 1" depth adjustable
- ✔ Includes two hinges, one for bottom and one for top
- ✔ Includes DURA-5050 gate plug for 2" gate frames
- ✔ Max width of the gate: 98-7/16"
- ✔ Max weight of the gate: 265 lbs



Order code

NOSEHINGE-I

Gate frame 2" x 2"





Vandal-proof 4D-hinge for wooden gates

4DW (Patented)

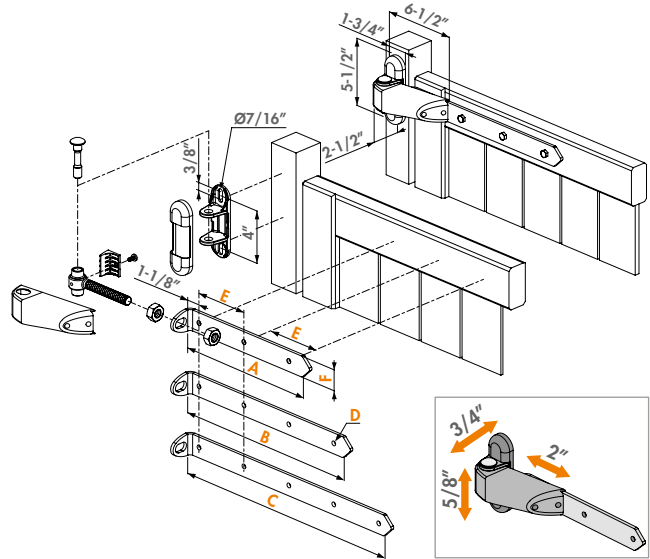


Aesthetic, vandal proof hinge for wooden gates. The stainless steel hinge can be adjusted in 4 dimensions. Height, depth, left / right alignment and rotational direction can be adjusted. Adjustments can be made after installing the hinges. This way your gate is always perfectly aligned.

24h
SHIPPING

Specifications

- ✓ 180° hinge for wooden gates
- ✓ Adjustable in 4 dimensions: height, depth, left / right alignment and rotational direction
- ✓ ± 2" longitudinal adjustability
- ✓ 3/4" depth adjustability (9/16" outside and 15/64" inside of fixed pole)
- ✓ Vandal and tamper proof
- ✓ Available with 1 ft 3-3/4 inch or 1 ft 7-11/16 inch hinge arm
- ✓ Perfect in combination with the H-Wood lock and SHKW keep



Order codes

Hinge arm in stainless steel	LBS	A	B	C	D	E	F
4DW-300-A2	330 lbs	Length 11-13/16"			Ø3/8"	4-5/16"	1-1/2"
4DW-400-A2	330 lbs		Length 15-3/4"		Ø3/8"	4-5/16"	1-1/2"
4DW-500-A2	330 lbs			Length 19-11/16"	Ø3/8"	4-5/16"	1-1/2"

180° 3-Way adjustable strap hinge

3DW (Patented)

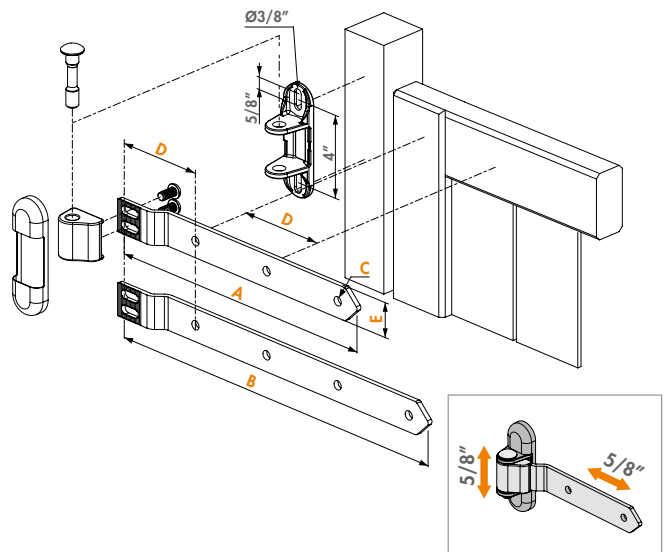


24h
SHIPPING

Stainless steel strap hinge for wooden gates. The hinge is adjustable in three dimensions; height, left/right alignment and swing direction. This hinge is available with a stainless steel or hot-dip galvanized arm in two sizes.

Specifications

- ✓ 180° hinge for wooden gates
- ✓ Reversible for left or right hand swing gates
- ✓ Vandal and tamper proof
- ✓ Hinge socket, axle and socket cover plate in stainless steel
- ✓ Available in RAL 9005



Order codes

Hinge arm in stainless steel	Hinge arm in hot-dip galvanized steel	LBS	A	B	C	D	E
3DW-350-A2	3DW-350-HDG	770 lbs	Length 13-3/4"		Ø7/16"	4-5/16"	1-1/2"
	3DW-450-HDG	770 lbs		Length 17-3/4"	Ø7/16"	4-5/16"	1-1/2"



**24h
SHIPPING**

Color options

ZILV 9005

Specifications

- ✔ For gates up to 3.5 ft wide and 135 lbs
- ✔ For left and right opening gates
- ✔ 5/8" adjustable in width and 7/8" in height
- ✔ No welding required: drill holes and fix with Quick-Fix

Compatible with TIGER gate closer

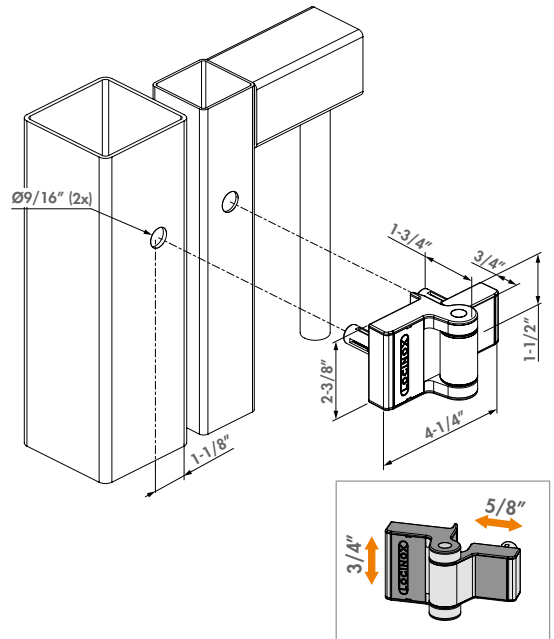


TIGER
P. 13

Order code

PUMA

132 lbs 2 x Quick-Fix



Hinges for small gates

Spring hinge for garden gates

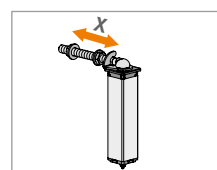
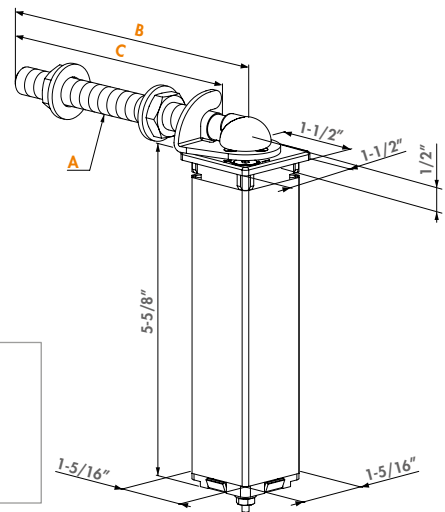
SWING40 (Patented)



Adjustable spring hinges for garden and walk gates. The set can be fitted inside 1-1/2", 16 Ga tubing. The SWING can easily be adjusted in strength from outside by means of an Allen key.

Specifications

- ✔ One for the top, one for the bottom
- ✔ Installation: slides into top and bottom of gate frame
- ✔ Only for gate frames 1-1/2" sq, 16 & 14 gauge
- ✔ Reversible: left or right hand
- ✔ Adjustable spring tension using 1/8" allen wrench
- ✔ Maximum gate width: 51"
- ✔ Maximum weight: 165 lbs
- ✔ Maximum profile thickness: 5/64"



Order codes

Hangerbolt length	Weight	A	B	C
SWING40-130	165 lbs	M12	Length 5-1/8"	4-5/16"
SWING40-150	165 lbs	M12	Length 5-15/16"	5-1/8"



J-Bolt Stainless steel with polyamide plugs

GBM12

Stainless steel garden gate J-Bolt hinge set. The set consist of 2 threaded M12 stainless steel hinge bolts with polyamide hinge plugs. The poly plugs fit into the top and bottom of the gate upright for an economical quality solution for small garden and walk gate projects.

**24h
SHIPPING**

Specifications

- ✔ Hinge J-bolt M12 in stainless steel
- ✔ Plug available for profile 1-1/2" or 2" square
- ✔ Length of the threaded J-bolt: 5-1/8" or 6" long
- ✔ Installation: plug slides into gate upright top and bottom

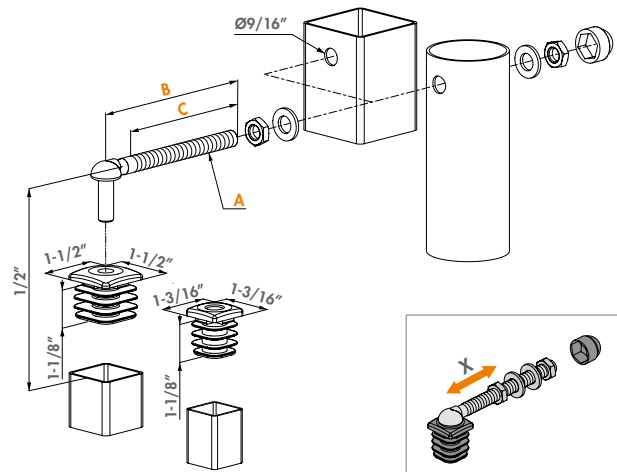
Hinge part



1040TPS-M12-
P. 145

Order codes

For square profiles 1-3/16" x 1-3/16"		For square profiles 1-1/2" x 1-1/2"			A	B	C
GBM12-30-130	GBM12-40-130	130 lbs		M12	Length 5-1/8"	4-5/16"	
GBM12-30-150	GBM12-40-150	130 lbs		M12	Length 5-15/16"	5-1/8"	



J-Bolt Stainless steel with aluminum plugs

GBM12-DP (Patented)

Stainless steel garden gate hinge set with reinforced aluminum plugs for extra stability. The economical quality solution for all your garden/walk gate projects.



Specifications

- ✔ Hinge set with aluminum reinforced hinge post plugs
- ✔ Hinge J-bolt M12 in stainless steel
- ✔ Plug available for profile 1-1/2" square
- ✔ Length of the threaded J-bolt: 5-1/8" or 6" long
- ✔ Installation: plug slides into gate upright top and bottom

Hinge parts

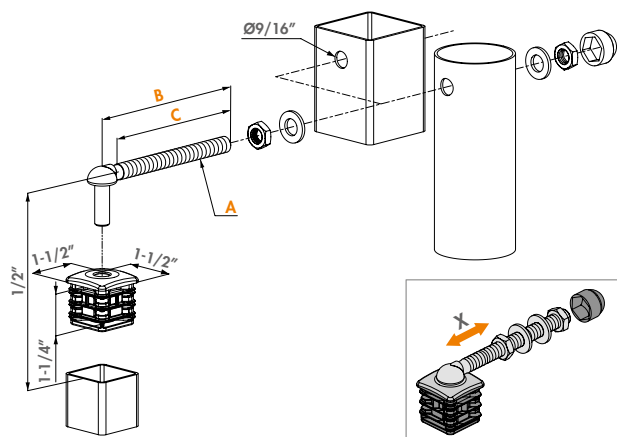


1040TPS-M12-
P. 145

DURA
P. 144

Order codes

Hangerbolt length			A	B	C
GBM12-DP-40-130	165 lbs	M12	Length 5-1/8"	4-5/16"	
GBM12-DP-40-150	165 lbs	M12	Length 5-15/16"	5-1/8"	





J-Bolt Stainless steel with polyamide plugs

GBM16

Hot-dip galvanized J-Bolt hinge set. The set consist of 2 threaded M16 galvanized hinge bolts with polyamide hinge plugs. The reinforced plugs fit into the top and bottom of the gate upright for an economical quality solution for your walk gate projects.

**24h
SHIPPING**

Specifications

- ✓ With plastic hinge plug square 9/16"
- ✓ Hinge axle M16 in hot-dip galvanized steel
- ✓ Length of the threaded J-bolt: 6-1/4" or 7"
- ✓ Installation: plug slides into gate upright top and bottom

Hinge part



1040HDSM16-
P. 145

Order codes

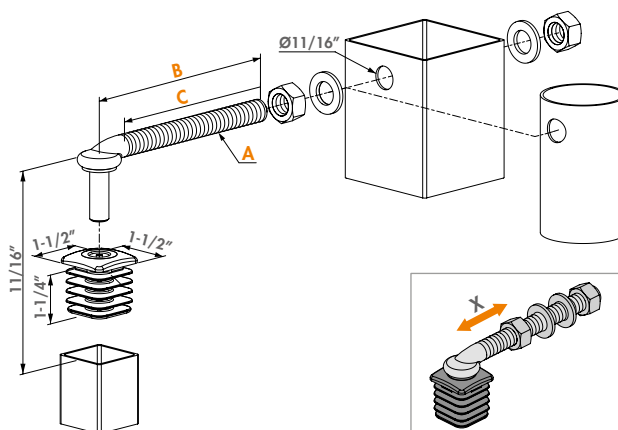
Hangerbolt length

GBM16-40-160
GBM16-40-180



165 lbs
165 lbs

	A	B	C
M16	Length 6-5/16"	5-5/16"	6-1/8"



J-Bolt Stainless steel with aluminum plugs

GBM16-DP (Patented)

Hot-dip galvanized steel garden gate hinge set with reinforced aluminum plugs for extra stability. The economical quality solution for all your garden/walk gate projects.

Specifications

- ✓ Hinge set with aluminum reinforced hinge post plugs
- ✓ Hinge axle M16 in hot-dip galvanized steel
- ✓ Plug available for profile 1-1/2" or 2" square
- ✓ Length of the threaded J-bolt: 6-1/4" or 7"
- ✓ Installation: plug slides into gate upright top and bottom

Hinge parts



1040HDSM16- **DURA**
P. 145 P. 144

Order codes

For square profiles 1-1/2" x 1-1/2"

For square profiles 2" x 2"

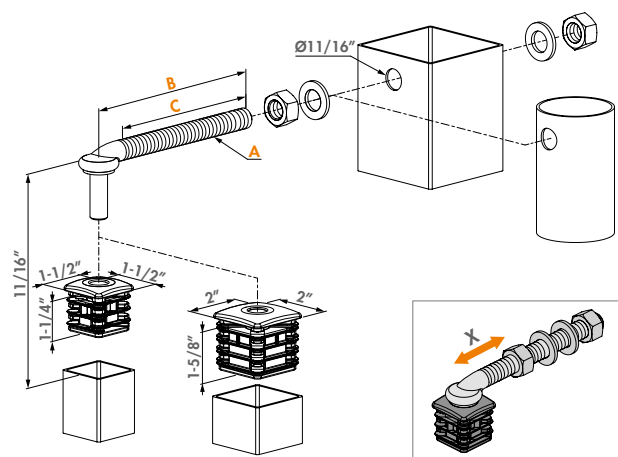


GBM16-DP-40-160
GBM16-DP-40-180

GBM16-DP-50-160
GBM16-DP-50-180

220 lbs
220 lbs


	A	B	C
M16	Length 6-5/16"	5-5/16"	6-1/8"



GBM comparison

GARDEN GATES HINGES

We have several economical quality solutions for garden or pedestrian gates. These are made of stainless steel or hot-dip galvanized steel and come with polyamide or aluminum plugs for fixation in the gate profile.

Order codes		Material	Information						
			A	B	C	D	E	F	G
GBM12									
GBM12-30-130	130 lbs	Stainless steel	M12	5-1/8"	4-5/16"	1/2"	Ø 9/16"	1-3/16"	1-1/8"
GBM12-40-130	130 lbs	Stainless steel	M12	5-1/8"	4-5/16"	1/2"	Ø 9/16"	1-1/2"	1-1/8"
GBM12-30-150	130 lbs	Stainless steel	M12	5-15/16"	5-1/8"	1/2"	Ø 9/16"	1-3/16"	1-1/8"
GBM12-40-150	130 lbs	Stainless steel	M12	5-15/16"	5-1/8"	1/2"	Ø 9/16"	1-1/2"	1-1/8"
GBM12-DP									
GBM12-DP-40-130	165 lbs	Stainless steel	M12	5-1/8"	4-5/16"	1/2"	Ø 9/16"	1-1/2"	1-1/4"
GBM12-DP-40-150	165 lbs	Stainless steel	M12	5-15/16"	5-1/8"	1/2"	Ø 9/16"	1-1/2"	1-1/4"
GBM16									
GBM16-40-160	165 lbs	Galvanized	M16	6-5/16"	5-5/16"	11/16"	Ø 11/16"	1-1/2"	1-1/4"
GBM16-40-180	165 lbs	Galvanized	M16	7-1/16"	6-1/8"	11/16"	Ø 11/16"	1-1/2"	1-1/4"
GBM16-DP									
GBM16-DP-40-160	220 lbs	Galvanized	M16	6-5/16"	5-5/16"	11/16"	Ø 11/16"	1-1/2"	1-1/4"
GBM16-DP-50-160	220 lbs	Galvanized	M16	6-5/16"	5-5/16"	11/16"	Ø 11/16"	2"	1-5/8"
GBM16-DP-40-180	220 lbs	Galvanized	M16	1-1/4"	6-1/8"	11/16"	Ø 11/16"	1-1/2"	1-1/4"
GBM16-DP-50-180	220 lbs	Galvanized	M16	1-1/4"	6-1/8"	11/16"	Ø 11/16"	2"	1-5/8"

Hinges for small gates

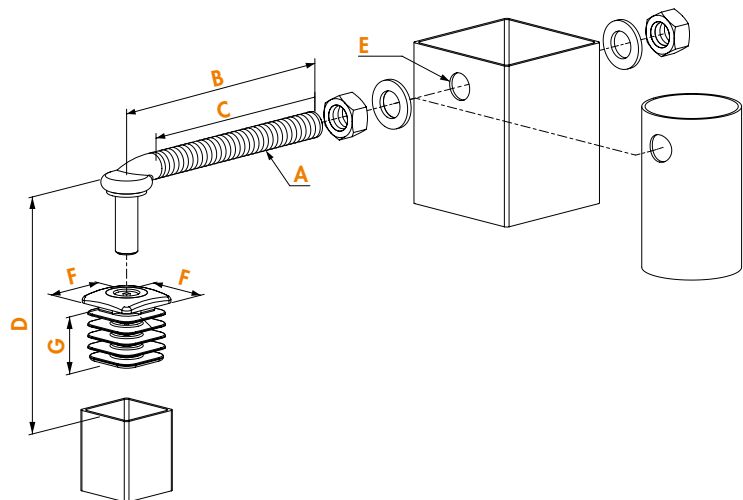
GBM12
P. 141

GBM12-DP
P. 141



GBM16
P. 142

GBM16-DP
P. 142





90° 2-WAY ADJUSTABLE J-BOLT HINGE

GAM12

Stainless steel garden gate J-Bolt hinge set. The set consists of 2 threaded M12 stainless steel hinge bolts with 2 black steel welding ears. The economical quality solution for your garden and walk gate projects.

**24h
SHIPPING**

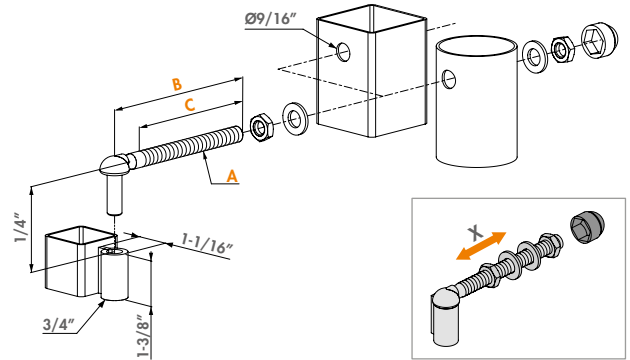
Specifications

- ✓ Hinge J-bolt M12 in stainless steel
- ✓ Length of the threaded J-bolt: 5-1/8" or 6" long
- ✓ Welding ear in black steel

Hinge parts



1040TPS-M12- P. 145 1041-01 P. 144



Order codes

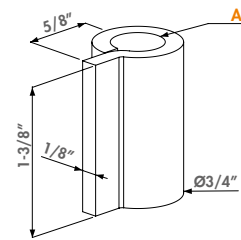
Hangerbolt length		A	B	C
GAM12-130	220 lbs	M12	Length 5-1/8"	4-5/16"
GAM12-150	220 lbs	M12	Length 5-15/16"	5-1/8"



Welding ear in black steel

1041-01

Welding ear in black steel. Compatible with hinge axle 1040TPS-M12. Just weld on the ear to your gate and it's ready for coating. A basic hinge solution for your small garden gates.



Specifications

- ✓ Component of the GAM12 hinge

Order code

1041-01

A

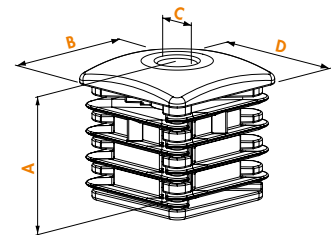
For hangerbolt axle Ø1/2"



Aluminum reinforced post plug for hinges

DURA (Patented)

Hinge plug reinforced with aluminum for extra stability



Specifications

- ✓ Aluminum reinforced hinge plug

Order codes

For 1040-TPS-M12	For 1040-HDS-M16	A	B	C	D
DURA-4040-12	DURA-4040-16	1-1/4"	1-9/16"	Ø7/16"-Ø9/16"	1-9/16"
	DURA-5050-16	1-7/8"	2"	Ø9/16"	2"



Stainless steel hinge axle M12

1040TPS-M12-

Stainless steel hinge axle M12. Available in 2 versions: 5-1/8" or 5-15/16".

Specifications

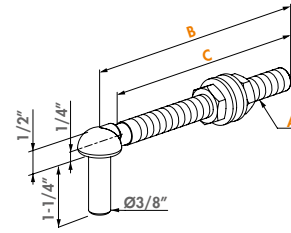
- ✔ Stainless steel hangerbolt M12

Order codes

Hangerbolt length

1040TPS-M12-130

1040TPS-M12-150



	A	B	C
M12	Length 5-1/8"	4-5/16"	
M12	Length 5-15/16"	5-1/8"	



Hot-dip galvanized hinge axle M16

1040HDSM16-

Hot-dip galvanized hinge axle M16. Compatible with hinge plug DURA-4040-16 and DURA-5050-16.

Specifications

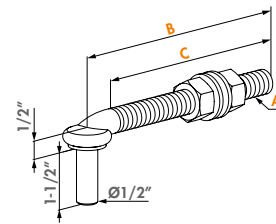
- ✔ Hot-dip galvanized hangerbolt M16

Order codes

Hangerbolt length

1040HDS-M16-160

1040HDS-M16-180



	A	B	C
M16	Length 6-5/16"	5-5/16"	
M16	Length 7-1/16"	6-1/8"	



Hinge parts for
small gates





DROP BOLTS & GROUND CATCHERS

The Locinox range of drop bolts and ground stops offers a wide array of solutions. From the economical VSF drop bolt to our internal SUBY drop bolt, which is the top of the line in terms of ease of use and aesthetics.



Motorized electrical drop bolt with fail close functionality

ELECTRADROP (Patented)

Electrical 24V drop bolt with 4-1/2" throw for safe locking of automated swing gates. By securing your gate with a drop bolt you disburden the electric gate motors.



24h
SHIPPING

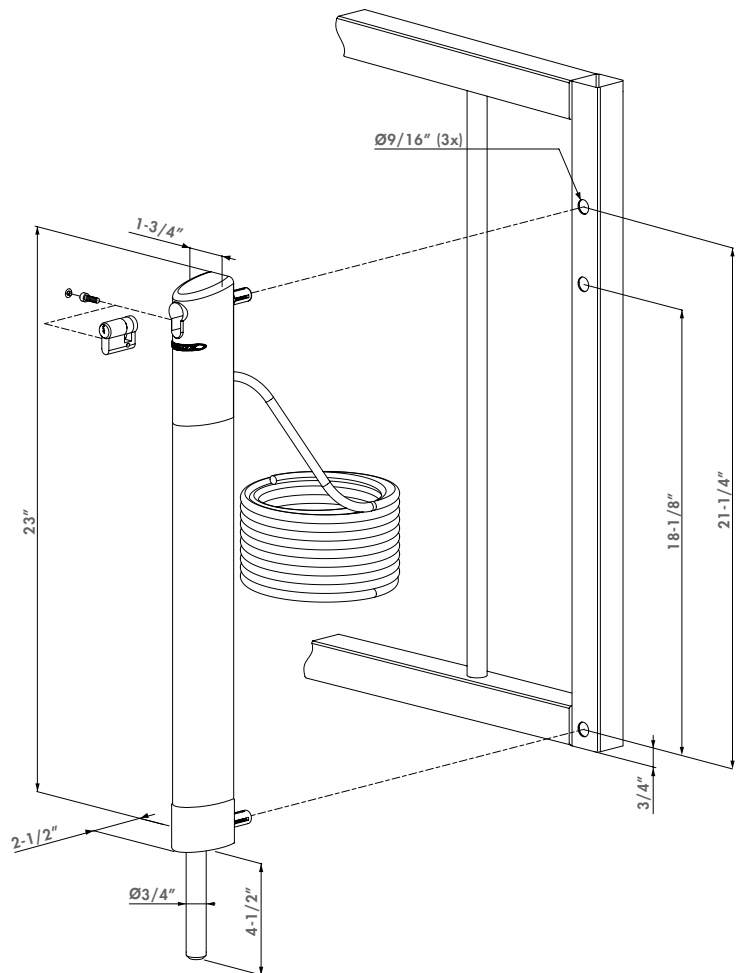


Color options



Specifications

- ✔ Vandal proof, powder coated aluminum housing
- ✔ To be connected to the warning light on automated gates (min 3 sec prewarning signal) or directly on the gate automation
- ✔ Mechanical release possible (by key) in case of emergency
- ✔ The integrated obstacle detection will automatically stop the drop bolt movement in case of overpressure to avoid injuries.
- ✔ Power consumption: Normal: 25 W / Peak: 48W / Standby: 0,2 W
- ✔ 16-1/2 ft cable included
- ✔ Included: 3012-37-STD-VSZ cylinder
- ✔ To connect to a Locinox DC-POWER-110V-24V or PowerStone-24V-60W power supply



Order code

ELECTRADROP For profiles 1-1/2" x 1-1/2" or more **24h** SHIPPING



Compatible products



OGS
P. 154



SABO
P. 154

NEW Motorized electrical drop bolt with Fail Open functionality

ELECTRADROP-R (Patent pending)

Electric 24V drop bolt with 4-1/2" throw for safe locking of automated swing gates. The long-lasting internal batteries automatically lift the drop bolt in case of a power outage, eliminating the need for a key. Thus assuring a free exit of the premises. By securing your gate with an Electradrop you add an additional secure latching and disburden the electric gate motors.



24h
SHIPPING



Color options

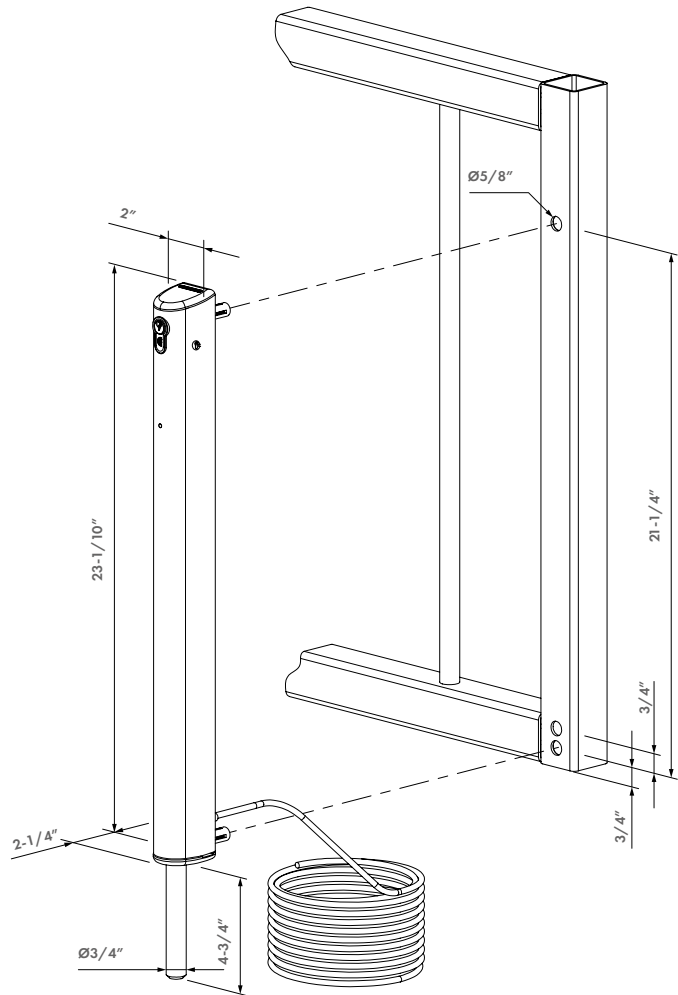
9005 ZILV

Specifications

- ✔ Fail Open functionality thanks to integrated back-up batteries (10y lifetime)
- ✔ To be connected to the warning light output of the gate automation (3 sec Pre-flashing time)
- ✔ Automatic end of range detection and slow stop function
- ✔ Low battery warning light
- ✔ Very strong: >2200 lbs holding force
- ✔ Drop bolt diameter: 25/32"
- ✔ Power consumption: Normal: 25 W / Peak: 55W / Standby: 0,2 W
- ✔ To connect to a Locinox PowerStone-24V-60W power supply
- ✔ Support for horizontal installation

Order codes

ELECTRADROP-R	Motorized electrical drop bolt with Fail Open functionality
ELECTRADROP-R-P	Electrical drop bolt with bolt position feedback and Fail Open functionality



Drop bolts & ground catchers

Compatible products



OGS
P. 154



SABO
P. 154



Surface mounted drop bolt

VSA / VSF

Standard self-locking drop bolts with the innovative Quick-Fix mounting hardware. The drop bolt is auto-locked between the double gates so no key is required. This model has an aluminum housing and is available with an aluminum, galvanized steel drop rod.

**24h
SHIPPING**



Color options



6005

6009

7016

9005

24h
SHIPPING

Specifications

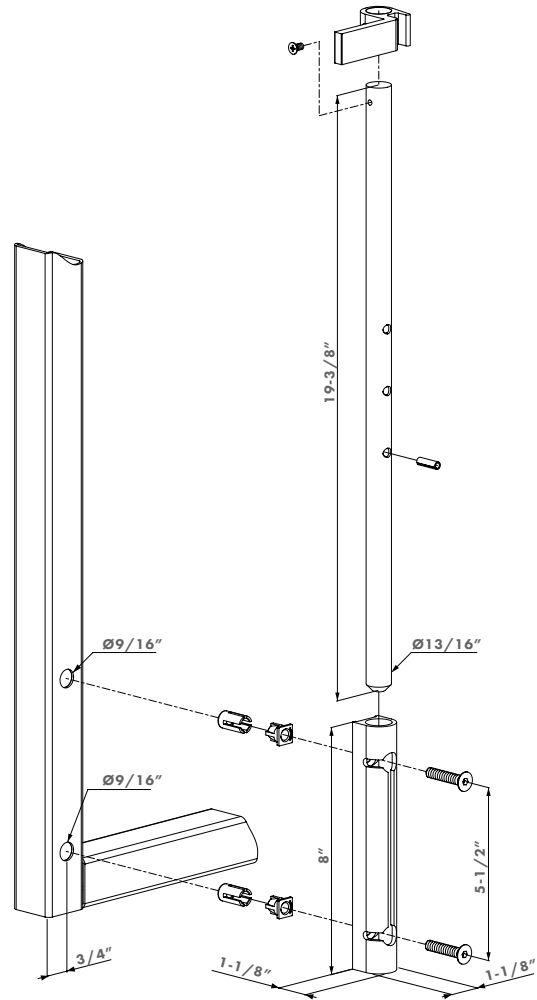
- ✔ Type VSF: hot-dip galvanized bolt
- ✔ Type VSA: aluminum bolt
- ✔ With aluminum head block
- ✔ For gate profiles 1-1/2" or more
- ✔ Height adjustability of the drop bolt: 4"
- ✔ Throw: 5-1/2"
- ✔ Self-locking between the leaves
- ✔ Fast and easy fixation with Quick-Fix bolts
- ✔ Easy to retrofit

Drop bolts & ground catchers

Order codes

VSA-K-QF1BL With aluminum pin

VSF-K-QF1BL With hot-dip galvanized pin



Compatible ground stop



OGS
P. 154



SABO
P. 154





Key Lockable drop bolt

KEYDROP (Patented)

Key lockable drop bolt. It is surface mounted for easy access and installation. It can be keyed to match the gate lock on the facing leaf. The KEYDROP enables you to lock the drop bolt in open or closed position. It is installed with our Quick-Fix mounting hardware and is interchangeable with our standard VSF and VSA drop bolts.

24h
SHIPPING



Color options



6005

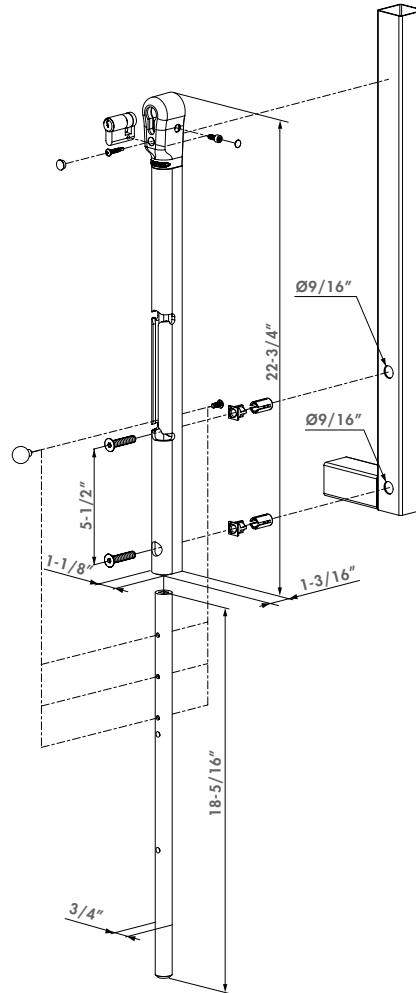
7016

9005



Specifications

- ✓ Throw: 5-1/2"
- ✓ Lockable drop bolt with cylinder
- ✓ Same drilling pattern as VSF and VSA
- ✓ Possible to match same key as gate lock
- ✓ Height adjustability of the drop bolt: 4"
- ✓ Height adjustability in 3 positions: 2" / position
- ✓ The gate can be locked in open or closed position
- ✓ For gate profiles 1-1/2" sq or larger



Order code

KEYDROP For profiles 1-1/2" x 1-1/2" or more **24h** SHIPPING



Compatible ground stop



OGS
P. 154



SABO
P. 154



24h SHIPPING



Color options

- ZILV
- 6005
- 6009
- 9005

Specifications

- ✔ Height adjustability of the drop bolt: 4"
- ✔ Throw: 4-3/4"
- ✔ Internal dropbolt in aluminum
- ✔ Steel handle with black plastic coating (polyamide) provides the optimal combination between robustness, ergonomics and protection against corrosion
- ✔ Internal push spring guarantees a perfect closure (even if the drop bolt is blocked by dirt inside the ground stop) and prevents overpressure
- ✔ Designed for profiles up to 1/8" thick
- ✔ Fast & easy mounting: 2 screws
- ✔ User-friendly manipulation of the drop bolt at a convenient height
- ✔ For square gate profiles: 1-1/2", 2", or 2-1/2" and for rectangular gate profiles: 2-3/8" x 1-1/2"

Order code

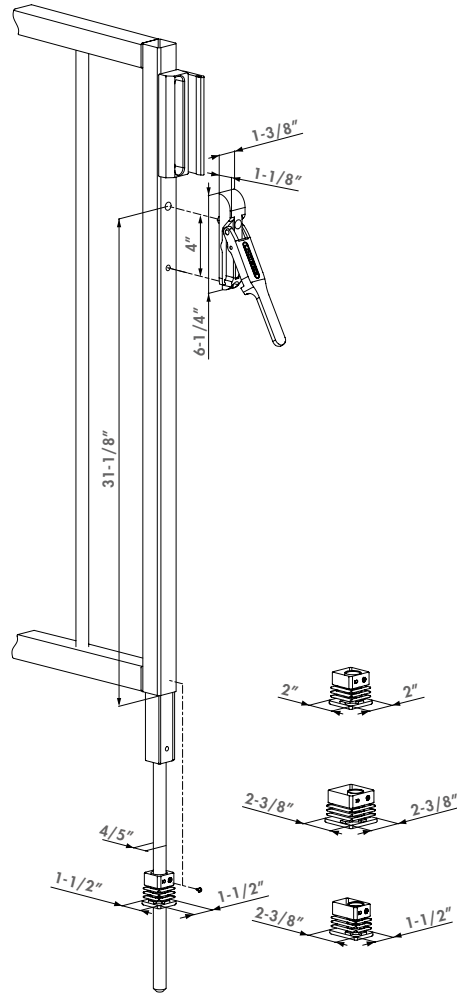
SUBY For gate profiles 1-1/2" x 1-1/2", 2" x 2", 2-1/2" x 2-1/2" and 2-1/2" x 1-1/2" **24h SHIPPING**



Internal drop bolt

SUBY (Patented)

Internal aluminum drop bolt. An aesthetical solution for double leaf gates, the drop bolt disappears from view. The drop bolt is conveniently operated at waist height and if the handle is installed between the gate leaves, it becomes self-locking. It fits inside 1-1/2" to 2-1/2" square tubing.



Compatible ground stop



CGS
P. 153



EGS
P. 153

Economic ground catch for drop bolt

EGS

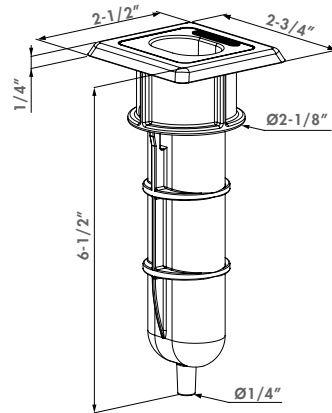
Economic ground catch/drop bolt receiver for drop bolts with maximum bolt of 3/4". With draining hole.



24h
SHIPPING

Specifications

- ✔ Simple and economic In-ground catch designed to put in concrete
- ✔ Without stop plate
- ✔ Hot-dip galvanized base-plate with polypropylene catcher
- ✔ For drop bolts with a maximum bolt diameter of 3/4"



Compatible drop bolts



SUBY
P. 152



KEYDROP
P. 151



VSA / VSF
P. 150



ELECTRADROP
P. 148

Order code

EGS Economic ground stop, without stop plate **24h**
SHIPPING

Centered ground stop and catch

CGS

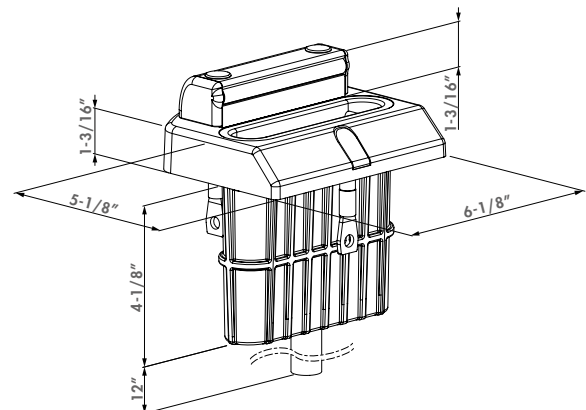
Strong ground stop and receiver for double leaf gates. It is recommended to be used in combination with the internal drop bolt SUBY. "Centered" refers to the positioning of the receiving ground pot, which is "centered" under the gate leaf when the gate is closed. The CGS has a removable receiver for easy and fast cleaning of the ground pot.



24h
SHIPPING

Specifications

- ✔ Glass Fibre reinforced Polypropylene base with anodised aluminum bumper
- ✔ Only suitable with internal SUBY drop bolts
- ✔ Adjustable stop plate for 1-1/2" to 2-1/2" gate frames
- ✔ Removable polyamide cleaning recipient
- ✔ With water drain hose



Compatible drop bolt



SUBY
P. 152

Order code

CGS Adjustable stop plate for 1-1/2" to 2-1/2" gate frames **24h**
SHIPPING

Bolt-on off-centered ground stop

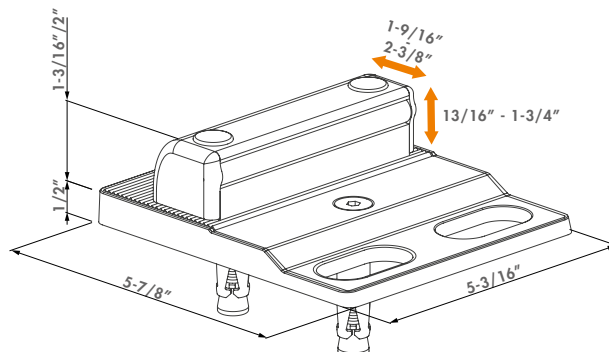
SABO



**24h
SHIPPING**

Specifications

- ✔ Surface mounted design, suitable for surface mounted drop bolts
- ✔ Maximum drop bolt axle diameter: $\varnothing 13/16"$
- ✔ Adjustable in height: distance between finished ground level & bottom of the gate: $13/16"$ to $1-3/4"$
- ✔ Adjustable in depth, different gate profiles possible: VSA - VSF - Keydrop: $1-9/16"$ to $2-3/8"$; Electradrop: $1-9/16"$ to $2"$
- ✔ Anchor pins included
- ✔ Material: black anodized aluminum top plate



Compatible drop bolts



ELECTRADROP
P. 148



KEYDROP
P. 151



VSA / VSF
P. 150

Order code

SABO Bolt-on off-centered ground stop **24h
SHIPPING**

Off-centered ground stop and catch

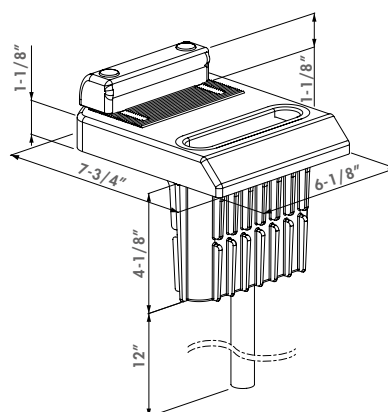
OGS



**24h
SHIPPING**

Specifications

- ✔ Glass Fibre reinforced Polypropylene
- ✔ Suitable for surface mounted drop bolts (VSF - VSA - Electradrop - Keydrop)
- ✔ Adjustable stop plate for $1-1/2"$ to $2-1/2"$ gate frames
- ✔ Removable polyamide cleaning recipient
- ✔ With water drain hose



Compatible drop bolts



ELECTRADROP
P. 148



KEYDROP
P. 151



VSA / VSF
P. 150

Order code

OGS Adjustable stop plate for $1-1/2"$ to $2-1/2"$ gate frames **24h
SHIPPING**





YONKERS



GATE CATCHERS

Gate catchers hold your gate open without inflicting any damage. They are adjustable in height to fit your gate and the used profiles. The gate catchers are made of aluminum or hot-dip galvanized steel.





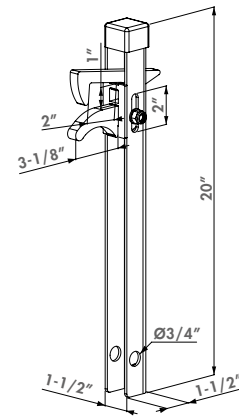
Gate hold-back catch hot-dip galvanized

ABK

Galvanized steel gate hold back. The adjustable catch reaches through the gate and is designed to catch a horizontal profile. It is to be set into concrete for a secure installation. For gate profiles up to 2".

Specifications

- ✔ Hot-dip galvanized U-profile in steel
- ✔ Catch hook in aluminum
- ✔ Height adjustability: 2-1/16"



Alternative gate catchers



UGC
P. 159



IGC
P. 159

Order code

ABK For gate profiles with a max. width of 2"



Gate hold-back catch hot-dip galvanized

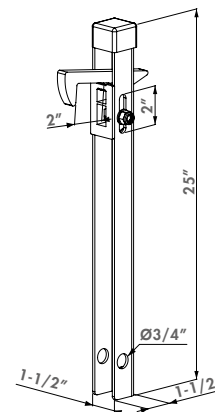
ABL

Galvanized steel gate hold back. The adjustable catch reaches through the gate over the bottom rail. It is designed to be set into concrete. The catch hook is 2" adjustable in height. For gate profiles up to 2".

**24h
SHIPPING**

Specifications

- ✔ Hot-dip galvanized U-profile in steel
- ✔ Stainless steel bolt
- ✔ Catch hook in aluminum
- ✔ Height adjustability: 2-1/16"



Alternative gate catchers



UGC
P. 159



IGC
P. 159

Order code

ABL For gate profiles with a max. width of 2" **24h
SHIPPING**



24h
SHIPPING

Color options



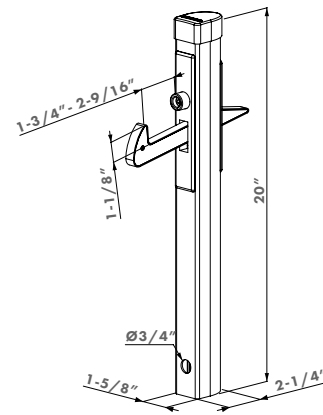
Specifications

- ✔ Aluminum powder coated chassis
- ✔ Anchoring holes to put in concrete
- ✔ Height adjustability of the catch hook: 1-1/2"
- ✔ Rubber stop and polyamide catch hook avoid damaging the gate frame
- ✔ Rubber stop adjustable for profiles 1-1/2" to 2-1/2" gate frames
- ✔ Reversible catch hook: pre-mounted with hook up
- ✔ Catches bottom side of the gate

Gate hold-back catch in aluminum

UGC

Aluminum gate hold back. The adjustable catch reaches under the gate catching the bottom rail and the hook can easily be reversed. The rubber stop and polyamide catch hook avoid damaging the gate frame. Very fast and strong installation in concrete. For gate profiles from 1-1/2" to 2-1/2". Simple height adjustment of 1-1/2".



Order code

UGC Under Gate Catch for 1-1/2" to 2-1/2" **24h** SHIPPING



24h
SHIPPING

Color options



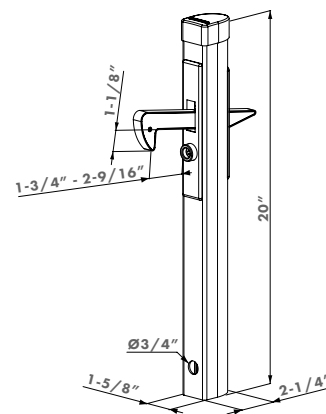
Specifications

- ✔ Aluminum powder coated chassis
- ✔ Anchoring holes to put in concrete
- ✔ Height adjustability of the catch hook: 1-1/2"
- ✔ Rubber stop and polyamide catch hook avoid damaging the gate frame
- ✔ Rubber stop adjustable for profiles 1-1/2" to 2-1/2" gate frames
- ✔ Reversible catch hook: pre-mounted with hook down
- ✔ Catches upper side of the gate

Gate hold-back catch in aluminum

IGC

Aluminum gate hold back. The adjustable catch reaches through the gate over the bottom rail and the hook can easily be reversed. The rubber stop and polyamide catch hook avoid damaging the gate frame. Very fast and strong installation in concrete. For gate profiles from 1-1/2" to 2-1/2". Simple height adjustment of 1-1/2".



Order code

IGC In-Gate catch for 1-1/2" to 2-1/2" **24h** SHIPPING



UP

HANDLE POSITION

Ø 3/8 in
Ø 9,5 mm

LOCINOX

BOTTOM LOCK

10.8V



TOOLS

Locinox guarantees a quick, qualitative and perfect installation thanks to the in-house developed jigs.





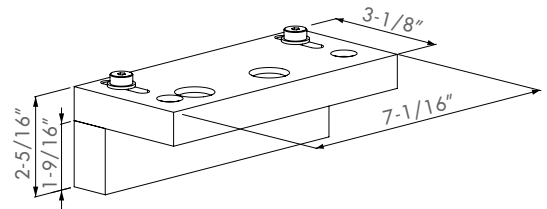
Drilling jig for swing gate locks

3970LA

Drilling jig to prepare the gate-/strike-post for LA- / LE- / LM-locks and according keeps (SA / SH / SM). The jig can be adjusted for profiles 1" / 1-1/4" / 1-1/2" / 1-3/4" / 2" / 2-1/2". The jig guarantees a perfect center alignment of the lock/keep on your posts.

Specifications

- ✓ Drilling jig for surface mounted swing gate locks and its keeps
- ✓ Adjustable for profiles from 1-1/2" - 2" - 2-1/2"



Order code

3970LA

For swing gate locks



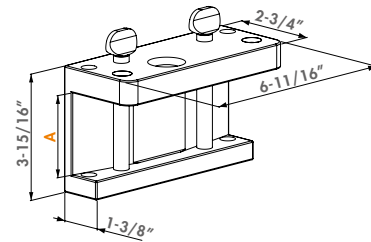
Drilling jig (Special Order Only)

3970LS

Drilling jig to prepare the gate- and strike-post for sliding gate locks and according keeps. The jig can be adjusted for profiles 1-1/2" - 2" - 2-3/8" or 2-3/8" - 3-1/8" according to jig version. The jig guarantees a perfect center alignment of the lock/keep on your posts.

Specifications

- ✓ Drilling jig for: LS- & LL-locks and SSKZ/SSKO keeps
- ✓ Available in two versions: for profiles: 1-1/2" - 2" - 2-3/8" or 2-3/8" - 3-1/8"



Order codes

3970LS-4060

For sliding gate locks 1-9/16" - 2" - 2-3/8"

3970LS-6080

For sliding gate locks 2-3/8" - 3-1/8"



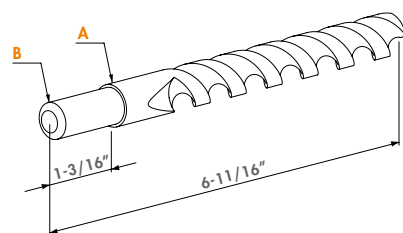
Drilling bit Ø15 mm (5/8") with drill-chuck Ø13 mm (1/2")

DRILLØ15

HSS drill with Ø15 mm (5/8") and drill-chuck Ø13 mm (1/2"). Fits any hand drilling machine.

Specifications

- ✓ Drilling bit Ø9/16" with drill-chuck Ø1/2"
- ✓ For preparation of your profiles
- ✓ For use with the drilling jig 3970LA



Order code

DRILLØ15

A B
Ø9/16" Ø1/2"

Tool case with drilling jig for surface mounted locks and corresponding keeps

DRILL-FIX

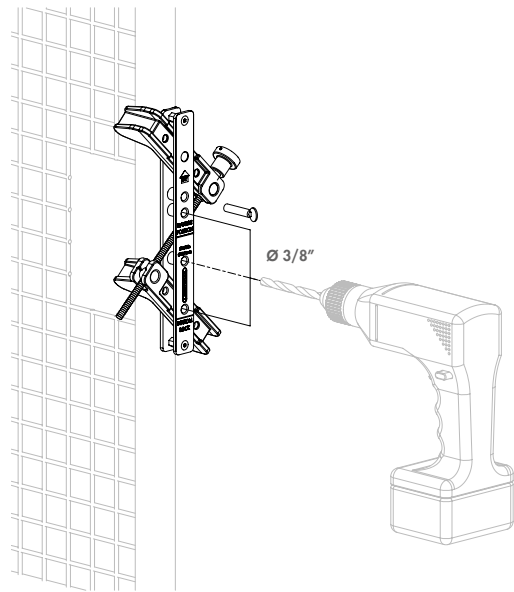


24h
SHIPPING

Specifications

- ✔ Tool case with self-centering drilling tool for fast assembly of Locinox surface mounted gate locks and keeps
- ✔ Drill jig can be used for round, square or rectangular profiles from 30 up to 76mm (1-1/4" up to 3")
- ✔ Includes 3 drill bits (Ø9,5 mm, Ø15 mm, Ø18 mm)
- ✔ Useful for installation of Locinox bolt-on locks and keeps in 4 easy steps
- ✔ Includes LA Locitool
- ✔ Includes Allen Key and positioning pin

Quickly and accurately install Locinox locks and keeps with our brand new Drill-Fix jig. This jig is designed to self-center on square or round posts, and guarantees perfect alignment. This will allow you to easily drill the 4 hole pattern for the lock or the two holes necessary for the keep. Seamless installs in a flash. The Drill-Fix comes in a sleek and sturdy case that includes all the necessary accessories to install Locinox locks and keeps.



Order code

DRILL-FIX Tool case with drilling jig for lock and keep **24h** SHIPPING

4 Easy installation steps



Compatible locks



LAKQ U2
P. 59



LDKZ D1
P. 62



LMKQ V2
P. 66



LAKQ H2
P. 73

Compatible keeps



MODULEC-SA
P. 98



SAKL QF
P. 99



SHKL QF
P. 99



SMKL QF
P. 100





**24h
SHIPPING**

Specifications

- ✓ Includes 2 drill bits $\varnothing 13/64$ and $\varnothing 5/8$
- ✓ Spare set with 10 Quick-Fix expanders
- ✓ Solid plastic box with compartments for convenient storage
- ✓ Includes accessories for assembly and adjustment of Tiger
- ✓ Recommended to be combined with Drillvise-IV

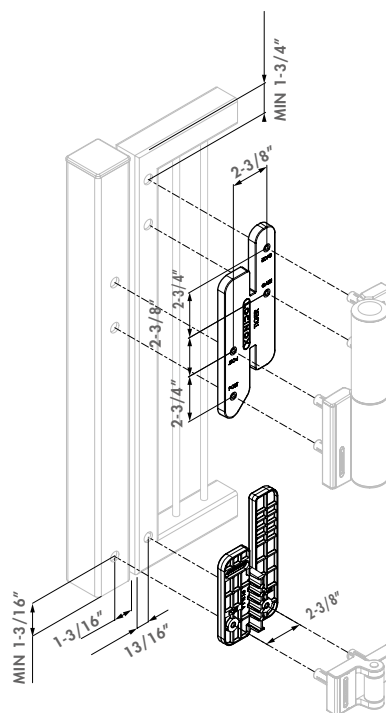
Order code

TIGERDRILL Installation and drilling jig for Tiger gate closer **24h
SHIPPING**

Installation and Drilling jig for Tiger gate closer

TIGERDRILL

Tool case with installation and drilling jig to perfectly align and install the Tiger gate closer and its Puma hinge. This tool guarantees perfect alignment and a fast and easy installation. No measuring needed, just fix the tool on the post, drill the holes, install the Tiger and Puma, and close the gate.



**24h
SHIPPING**

Specifications

- ✓ Includes 2 drill bits $\varnothing 13/64$ and $\varnothing 5/8$
- ✓ Spare set with 10 Quick-Fix expanders
- ✓ Solid plastic box with compartments for convenient storage
- ✓ Positions Rhino perfectly with regards to the Locinox hinge
- ✓ Includes accessories for assembly and adjustment of Rhino

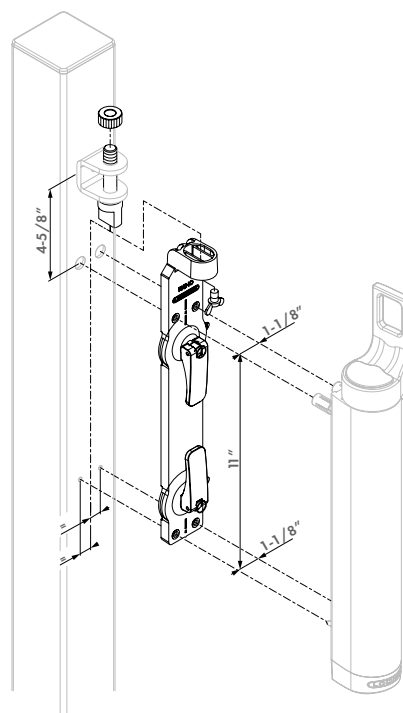
Order code

RHINODRILL Assembly and drill calibre for Rhino gate closer **24h
SHIPPING**

Installation and Drilling jig for Rhino gate closer

RHINODRILL

Tool case with installation and drilling jig to perfectly align and install the Rhino gate closer on the existing hinges. This tool guarantees perfect alignment, fast and easy installation. There is no more measuring needed, just fix the tool on the post, drill the holes, install the Rhino and close the gate.



Assembly and drill jig for Lion and Verticlose-2 gate closers

LION-VTC-DRILL

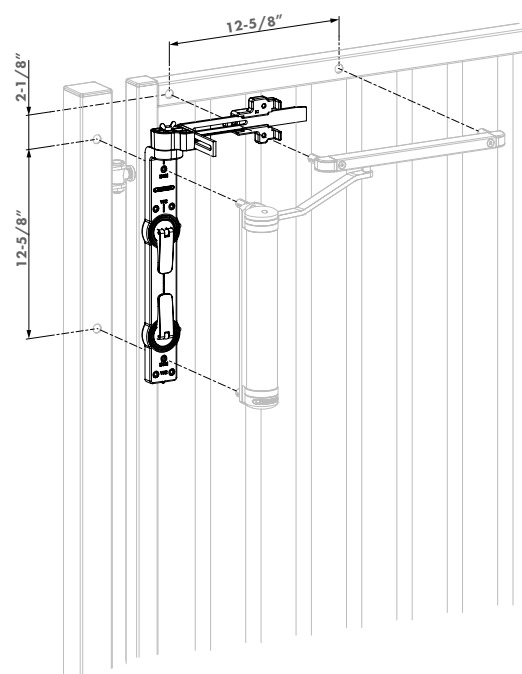
Toolbox with the required tools to install both Lion and Verticlose-2 gate closers very quickly and efficiently. The Lion-VTC Drill guarantees a flawless alignment of the gate closer in relation to the gate. No more measuring - just fix, drill, install and ready. Highly recommended.



24h
SHIPPING

Specifications

- ✓ Sturdy case with compartments
- ✓ Spare set with 10 Quick-Fix expanders
- ✓ Includes 2 drill bits Ø13/64 and Ø5/8



Order code

LION-VTC-DRILL Installation and drilling jig for Lion & VTC-2 gate closers **24h** SHIPPING

Related products



TIGERDRILL
P. 164



RHINODRILL
P. 164



**24h
SHIPPING**

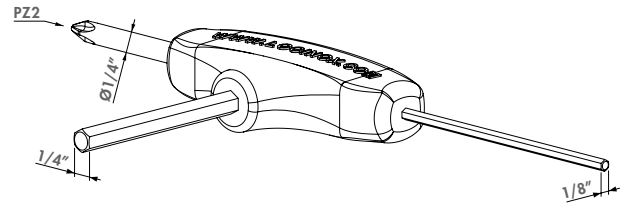
Handy mounting tool for locks

LOCITOOL LA

Mounting tool for surface mounted gate locks. The Locitool has a 1/8" Allen key for the adjustment of the bolts and fixing of the handles. With the 1/4" Allen key you can fix all Locinox locks. The screwdriver can be used to change the cylinder, open the lock box or change the daybolt from right to left-turning.

Specifications

- ✓ Easy and robust installation tool for a complete installation and adjustment of any Locinox lock
- ✓ Phillips screwdriver to change the self-latching bolt, cylinder and lockbox



Order code

LOCITOOL LA

Mounting tool for locks



**24h
SHIPPING**

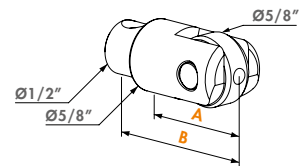
Adjustable rollerbolt

ROLLTOP

Stainless steel "rollerbolt" for LA-locks. It fits Industrial, Ornamental, Mechanical, Electrical, and Swimming Pool locks. The standard chamfered latch tip can be replaced with the rollerbolt to reduce latch resistance and allow the gate close and latch easier. This ensures a smooth closing of the lock into the keep. The rollerbolt has a bolt adjustment hole for latch bolt length adjustment.

Specifications

- ✓ Adjustable rollerbolt in stainless steel
- ✓ Reduces latch resistance and allows the gate close easier
- ✓ Compatible with all surface mounted Locinox gate locks



Order codes

ROLLTOP-30

A	B
11/16"	1-1/8"
1"	1-7/16"
1-13/16"	2-3/16"

ROLLTOP-40

1" 1-7/16"

ROLLTOP-60

1-13/16" 2-3/16"



Quick-Fix

The unique Quick-Fix fastening system guarantees an extremely secure fixing on all your gates and fences. As a unique patented solution, Quick-Fix ensures an assembly which is twice as quickly.

QUICK ASSEMBLY

Quick-Fix is pre-assembled on the product. You win valuable time on site, which allows you to be quicker with your next customer. You only need to drill the required 9/16" holes, place the product on the holes, fix and ready!

FIRM ANCHORING

With its 2.000 lbs tensile strength a firm anchoring is always guaranteed. Quick-Fix is available for profiles with a wall thickness from 1/16" to 3/16" or from 3/16" up to 5/16".

CORROSION FREE

Locinox relies upon the best materials. This also applies to Quick-Fix which is 100% made of premium stainless steel. Quick-Fix easily passes the 500h salt spray test. Want to know more? Watch the video on our website.



24h SHIPPING

Specifications

- ✔ Patented mounting system out of stainless steel
- ✔ Very strong: 2,000 lbs pulling resistance
- ✔ Innovative design which guarantees reuse of the Quick-Fix
- ✔ Available in two versions, for profiles with thickness till 3/16" and for profiles with thickness till 5/16"

Order code

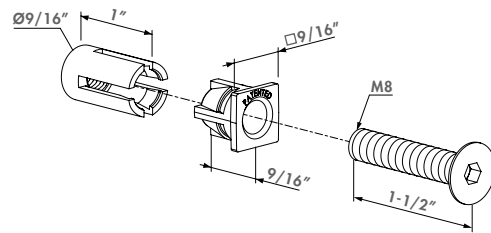
QUICK-FIX

Patented mounting system

Stainless steel fixation bolt with high pulling resistance

QUICK-FIX (Patented)

Quick-Fix guarantees an easy, fast and highly robust mounting. The new generation of the Quick-Fix can be reused completely many times thanks to its innovative design.



24h SHIPPING

Specifications

- ✔ For a solid anchoring of keeps in walls
- ✔ Can be used for SAKL, SHKL, SMKL, SFKB, SFKP and all Modulec - keeps
- ✔ Consists out of 2 expansion anchors with matching bolts

Order code

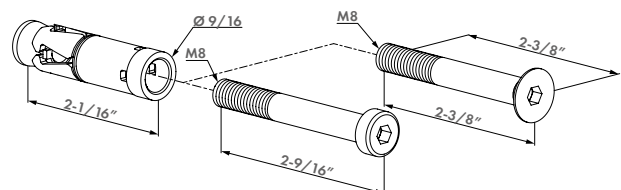
WALL-FIX

Wall fixation set for keeps

Wall fixation set for keeps

WALL-FIX

The Wall-Fix ensures a firm anchoring of most Locinox keeps in (brick) walls. The components of this fixation set are made out of steel.



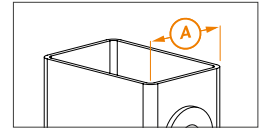


ACCESSORIES

Modularity, compatibility and flexibility within our product range give you an endless amount of solutions. Build your own product to fit your production processes and product range. Locinox makes sure your orders are handled quickly and correctly.



i Handle compatibility



	SURFACE MOUNTED LOCKS		INSERT LOCKS			
			A = 1-3/8"	A = 1-1/2"	A = 2"	A = 2-3/8"
3006C		✓	✓			
3006I		✓	✓	✓		
3006D		✓	✓			
3006B		✓	✓			
3006A		✓	✓			
3006M		✓	✓			
3006J		✓	✓	✓		
3006R		✓				
300FA		✓	✓			
3006P		✓	✓	✓		
3006G		✓	✓	✓		
3006B-H				✓	✓	✓
3006D-H				✓	✓	✓
3006I-H					✓	✓
3006M-H				✓	✓	✓
3006J-H		✓	✓	✓	✓	✓
3006R-2		✓	✓			
KIDLOC-2		✓				
KIDLOC		✓	✓	✓		
3006KR		✓				
PUSHBAR		✓		✓	✓	
3006PUSH		✓				
3006T11		✓				
3006FIX				✓	✓	✓
3006-PAD				✓	✓	✓
3006-HOLD				✓	✓	✓



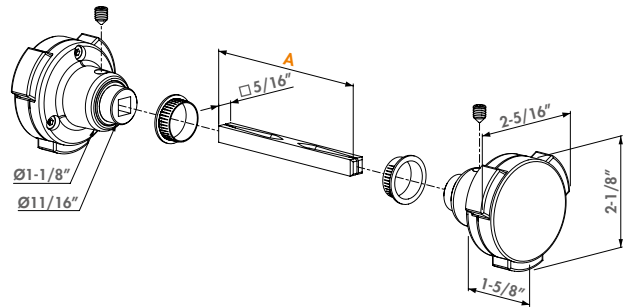
Childproof security knob

KIDLLOC (Patented)

Anodized aluminum and polyamide security knob providing child safety. At least one button must be pressed while turning the knob. Conform to the French standard for child safety at swimming pools NF P90-306.

Specifications

- ✔ Anodized aluminum and polyamide
- ✔ For all locks with a 8 mm shaft (appx 5/16")
- ✔ Security knob for swimming pools, playgrounds, kennels,...
- ✔ Conforms to the European swimming pool standard NF P90-306



Order code

Security knob

KIDLLOC

A

Follower length 3-9/16"



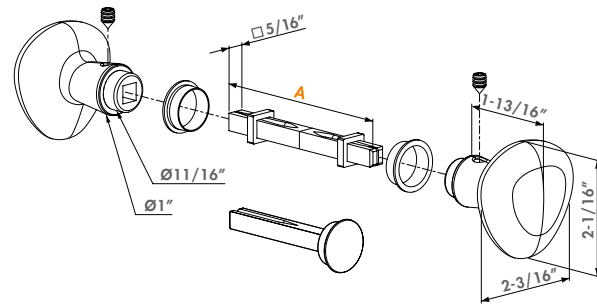
Aluminum knob blocking set

3006KR

Aluminum round blocking knob set. The kit allows the following three combinations: one side fixed with one side operational, both sides fixed, or one side blocked with one side operational. The set is recommended in combination with our gate locks when access control is needed and allows our standard Ornamental or Industrial locks to be used in the following applications: Free Exit, Dead Latch, or Store Room.

Specifications

- ✔ The kit permits the following combinations:
- ✔ 1 side blocked or blinded or 1 side working (movable)
- ✔ 2 sides blocked
- ✔ 2 sides working (movable)
- ✔ Highly recommended with Locinox electric strikes



Order code

Aluminum handle blocking set

3006KR

A

Follower length 3-9/16"



Aluminum anodized handle pair with free exit and blocking option

3006FIX-

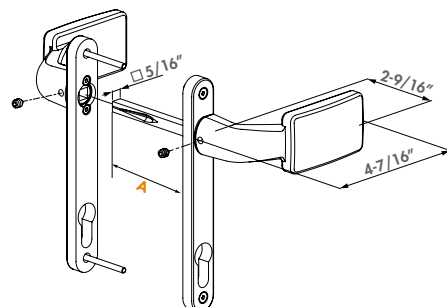
The Anodized aluminum handle pair and cover shield offer the following options: both sides rotating, one side fixed/blocked or both sides fixed/blocked. The handle pair is compatible with Fortylock, Fiftylock, Sixtylock and Eightylock insert locks.

Color options

ALUM **9005**

Specifications

- ✔ Square 8 mm shaft (appx 5/16")
- ✔ Center-distance cylinder <=> handles = 3-5/8"
- ✔ Including fixation bolts for profiles from 1-7/16" to 2-9/16"



Order code

3006FIX

A

Follower length 4-3/4"



NEW Handle set with rounded corners in anodized aluminum with fixed and/or rotating functionality

3006PAD

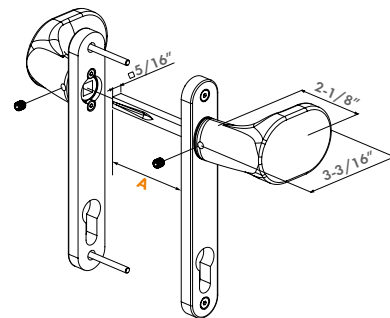
Handle set with rounded corners in anodized aluminum. Following combinations are possible: both sides rotatable, one side rotatable and one side fixed or both sides fixed.

Color options

ALUM 9005

Specifications

- ✓ Square 8 mm shaft (appx 5/16")
- ✓ Center distance: cylinder \leftrightarrow handle hole = 3-5/8"
- ✓ Includes mounting bolts for profiles from 1-7/16" to 2-9/16"
- ✓ Anodized aluminum
- ✓ Compatible with Fortylock, Fiftylock, Sixtylock & Eightylock



Order codes

3006PAD

A
Follower length 4-3/4"



NEW Handle set with rounded corners in anodized aluminum with fixed and rotating action

3006HOLD

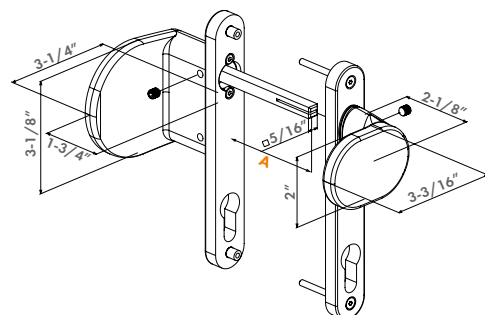
Handle set with rounded corners in anodized aluminum in two possible combinations: One side rotatable and one side fixed or both sides fixed.

Color options

ALUM 9005

Specifications

- ✓ Square 8 mm shaft (appx 5/16")
- ✓ Center distance: cylinder \leftrightarrow handle hole = 3-5/8"
- ✓ Includes mounting bolts for profiles from 1-7/16" to 2-9/16"
- ✓ Anodized aluminum
- ✓ Compatible with Fortylock, Fiftylock, Sixtylock & Eightylock



Order codes

3006HOLD-PAD

A
Follower length 4-3/4"



NEW Fixed anodized aluminum handle

BAR-A

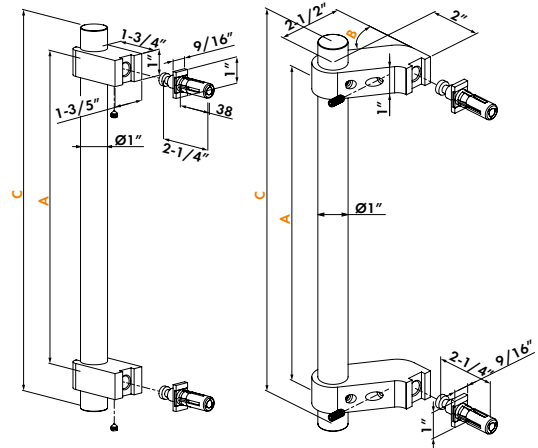
Fixed anodized aluminum handle with straight or angled mounting brackets. Can be used single or double sided.

Color options

9005

Specifications

- ✓ Length: 14-3/8"
- ✓ Fixation Center Distance: 11-7/8"
- ✓ Compatible with 3025-HYB-BLIND
- ✓ Anodized aluminum



Order codes

BAR-A-300-00-365-1
 BAR-A-300-00-365-2
 BAR-A-300-60-365-1
 BAR-A-300-60-365-2

	A	B	C
	11-13/16"	0°	14-3/8"
	11-13/16"	0°	14-3/8"
	11-13/16"	60°	14-3/8"
	11-13/16"	60°	14-3/8"

NEW Fixed stainless steel handle

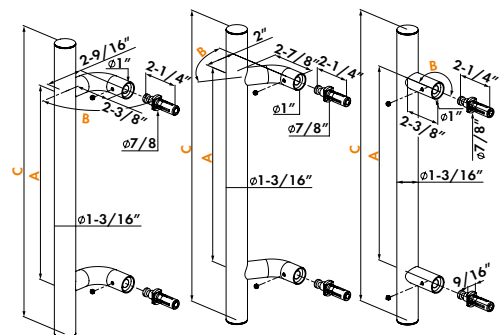
BAR-I

Fixed stainless steel handle with straight or angled mounting brackets. Can be used single or double sided.



Specifications

- ✓ Length: 17-3/4 inches
- ✓ Compatible with 3025-HYB-BLIND
- ✓ Type 316 Stainless Steel



Order codes

BAR-I-300-00-450-1
 BAR-I-300-00-450-2
 BAR-I-300-60-450-1
 BAR-I-300-60-450-2
 BAR-I-300-90-450-1
 BAR-I-300-90-450-2

	A	B	C
	11-13/16"	0°	17-3/4"
	11-13/16"	0°	17-3/4"
	11-13/16"	60°	17-3/4"
	11-13/16"	60°	17-3/4"
	11-13/16"	90°	17-3/4"
	11-13/16"	90°	17-3/4"



24h SHIPPING

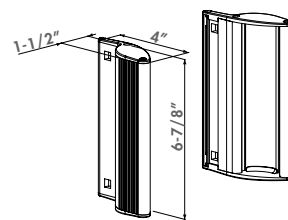
Color options



Handle set 3006PULL

3006PULL

This aluminum powder coated handle set has an elegant design. This handle set could be used in combination with magnetic locks (e.g. if used top/bottom), or any gate that needs a sturdy and elegant pull handle independent of the latching mechanism.



Order code

Aluminum powder coated handle set

3006PULL

Fixation bolts not included

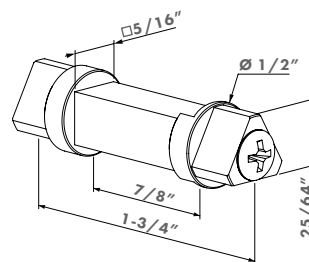


Triangular spindle

3006T11

Specifications

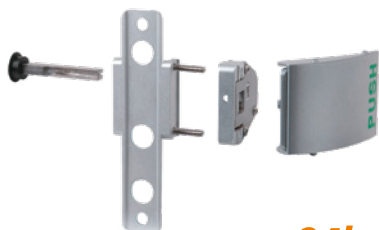
- ✓ Spindle in a triangular form of 7/16" to be used with triangle key
- ✓ Possible to insert in the handle opening of any LA lock



Order codes

3006T11

27/64" triangular spindle



24h SHIPPING

Push handle set in aluminum

3006PUSH

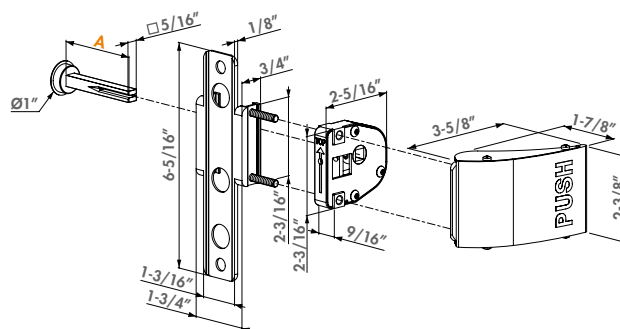
Aluminum Push handle set allows opening of the lock with a push movement in the same direction as the opening of the gate. The Push-set replaces the normal handle and the back side is blocked. The handle set ONLY fits the Industrial lock and allows it to be used in the following applications: Safety Exit, Free Exit, Dead Latch, or Store Room Lock.

Color options



Specifications

- ✓ The set is adaptable on all surface mounted Locinox locks with aluminum U-lock box
- ✓ The 3006PUSH replaces the handles
- ✓ Facilitates the opening of the gate



Order code

Push-set in aluminum

3006PUSH

A
Follower length 2-3/8"



24h
SHIPPING

Push bar in aluminum for surface mounted gate locks

PUSHBAR-L-

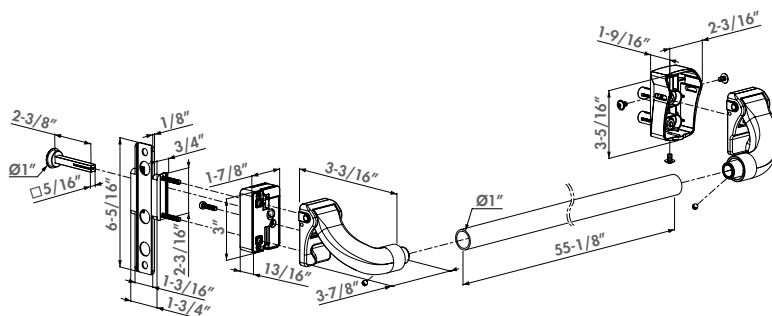
Panic Bar for an easy opening and a free exit of a gate by a simple push. The aluminum PUSHBAR replaces the standard handle, operates the daybolt and can quickly be installed on new or existing Locinox surface mounted gate locks (LA, LP and LF chassis). The PUSHBAR is available in a long version for 5 ft. gates (55-1/8"). The push bar can however be perfectly shortened to fit any gate.

Color options

9005
24h
SHIPPING

Specifications

- ✔ Black powder coated aluminum push bar with stainless steel mechanism
- ✔ For left and right turning gates
- ✔ Easy to install on the gate with Quick-Fix
- ✔ Blinded 5/16" follower included
- ✔ Possible to combine with half handle sets with 5/16" follower



Compatible locks



LAKQ U2
P. 59

LPKQ U2
P. 63

LFKQ X1
P. 67

Order code

PUSHBAR-L-1400 Aluminum push bar for surface mounted locks - Length 55-1/8"



24h
SHIPPING

Aluminum push bar for insert locks

PUSHBAR-H-

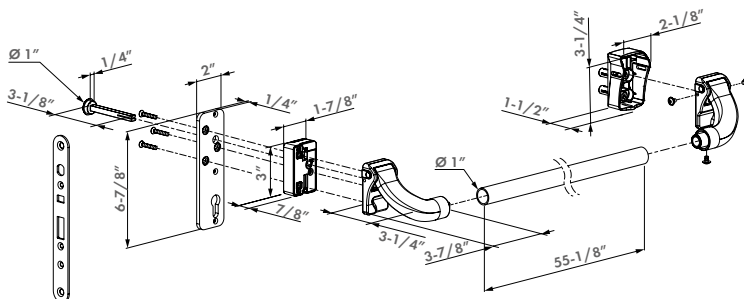
Panic bar for an easy opening and a free exit of a gate by a simple push. The aluminum PUSHBAR replaces the standard handle on the existing locks, operates the daybolt and can quickly be installed on new or existing Locinox hybrid insert locks. The PUSHBAR is available in a long version (55-1/8") for gates up to 5 ft. The push bar can however be perfectly shortened to fit any gate.

Color options

9005
24h
SHIPPING

Specifications

- ✔ Black powder coated aluminum push bar with stainless steel mechanism
- ✔ Only compatible with H-Metal, H-Wood and Sixtylock
- ✔ Fast and easy attachment to square frames with Quick-Fix bolts
- ✔ For left and right turning gates
- ✔ Blinded 5/16" follower included
- ✔ Possible to combine with half handle sets with 5/16" follower



Compatible locks



H-METAL
P. 86

H-WOOD
P. 93

SIXTYLOCK
P. 84

Order code

PUSHBAR-H-1400 Aluminum push bar for insert locks - Length 55-1/8"

COMING SOON



Panicbar set

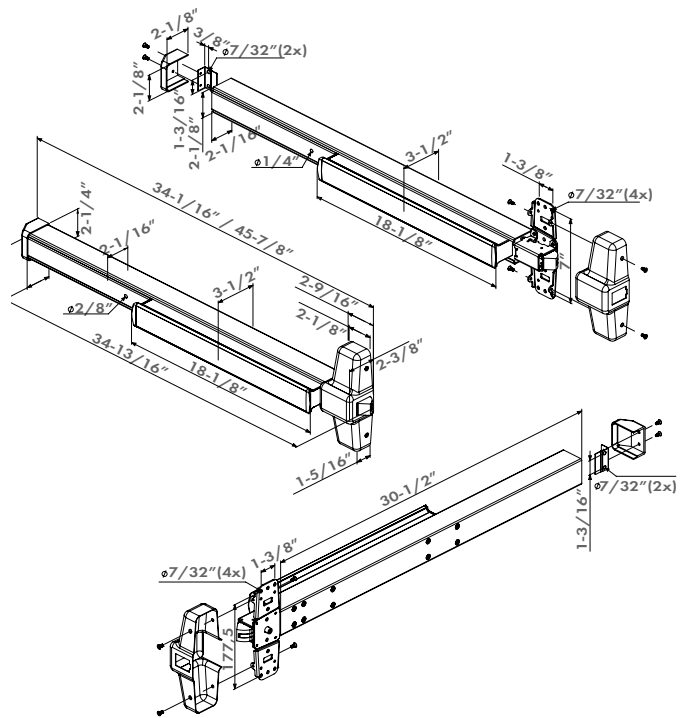
PANICBAR

Complete set to add a rim style emergency exit device to any gate. The set includes a stainless steel Panicbar, a keep or electric strike and a key box or a keyed lever handle. Available mounting plates and latch protector plates to be ordered separately. UL305 and ADA compliant

24h
SHIPPING

Specifications

- ✔ Stainless steel weatherproof body
- ✔ Available in 2 sizes: 36" and 48"
- ✔ 0.75" latch bolt
- ✔ For round and square profiles
- ✔ Tested up to 500,000 openings
- ✔ ADA Compliant



Order code

PANICBAR- Panicbar set



Special handles





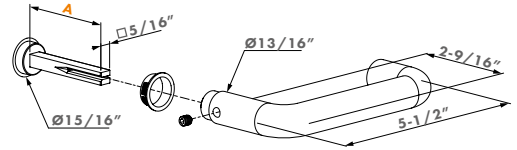
Half anodized aluminum anti-panic handle

3006A-2

Half handle for LPKQ U2 anti-panic gate lock that guarantees a safe and quick exit.

Specifications

- ✓ Square 8 mm shaft (appx 5/16")
- ✓ Handle made of anodized aluminum
- ✓ EN 179 certified for use with the LPKQ U2 anti-panic gate lock



Order code

3006A-2

A

Follower length 2-3/8"



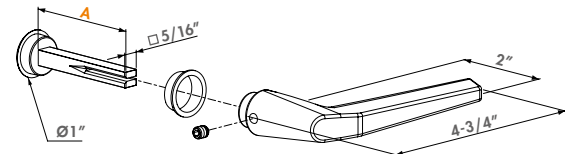
Modern half handle set in aluminum

3006M-2

Half aluminum modern handle - one side blocked

Specifications

- ✓ Half handle in aluminum
- ✓ Square 8 mm shaft (appx 5/16")



Order code

Aluminum half handle

3006M-2

A

Follower length 2-3/8"



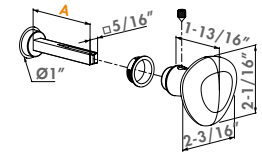
Half aluminum round handle

3006R-2

Half aluminum round handle. One side blinded.

Specifications

- ✓ Round knob in aluminum
- ✓ Square 8 mm shaft (appx 5/16")



Order code

Aluminum round knob

3006R-2

A

Follower length 2-3/8"



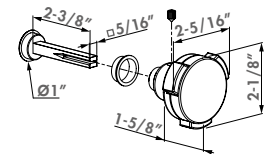
Childproof security knob half handle

KIDLOC-2

Anodized aluminum and polyamide security knob providing child safety. At least one button must be pressed while turning the knob. Conform to the French standard for child safety at swimming pools NF P90-306.

Specifications

- ✓ Polyamide and aluminum



Order code

Security knob

KIDLOC-2

A

Follower length 2-3/8"



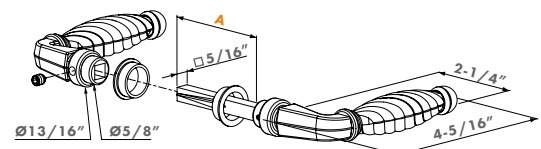
Ornamental handle pair in zamac

3006FA

Zamac ornamental handle pair

Specifications

- ✓ Handle pair in powder coated zamac
- ✓ Square 8 mm shaft (appx 5/16")



Order code

Zamac handle pair

3006FA

A

Follower length 2-9/16"



**24h
SHIPPING**

Club handle pair in aluminum

3006C

Aluminum club handle pair

Specifications

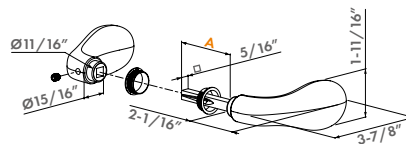
- ✓ Handle pair in anodized aluminum
- ✓ Square 8 mm shaft (appx 5/16")

Order code

Aluminum handle pair

3006C

A
Follower length 2-3/8"



**24h
SHIPPING**

Anodized aluminum handle pair

3006J

Aluminum handle pair

Specifications

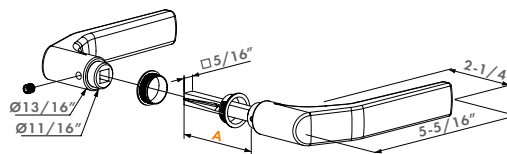
- ✓ Special design avoids bumping of the hand against the stop plate
- ✓ Square 8 mm shaft (appx 5/16")

Order code

Aluminum handle pair

3006J

A
Follower length 2-9/16"



**24h
SHIPPING**

Modern handle pair in anodized aluminum

3006M

Aluminum modern handle pair

Specifications

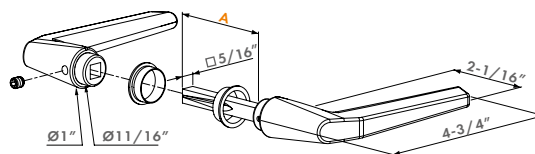
- ✓ Handle pair in anodized aluminum
- ✓ Square 8 mm shaft (appx 5/16")

Order code

Aluminum handle pair

3006M

A
Follower length 2-3/8"



**24h
SHIPPING**

Black anodized aluminum handle pair

3006B

Black anodized aluminum handle pair

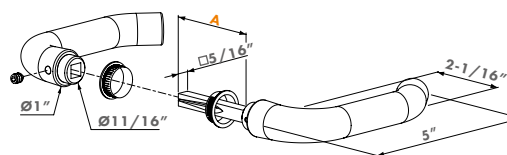
Specifications

- ✓ Square 8 mm shaft (appx 5/16")

Order code

3006B

A
Follower length 2-5/8"



**24h
SHIPPING**

Reinforced aluminum handle pair

3006S

Handle pair, ideally combined with sliding gate locks.

Specifications

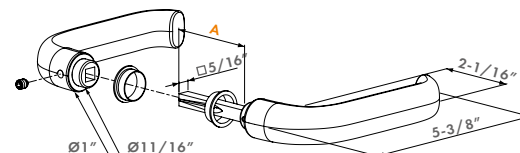
- ✓ Only applicable on LSKZ sliding gate lock
- ✓ Square 10 mm shaft (appx 5/16")

Order code

Reinforced aluminum handle pair

3006S

A
Follower length 2-3/8"





**24h
SHIPPING**

Specifications

- ✔ Handle pair in anodized aluminum
- ✔ Square 8 mm shaft (appx 5/16")

Order code

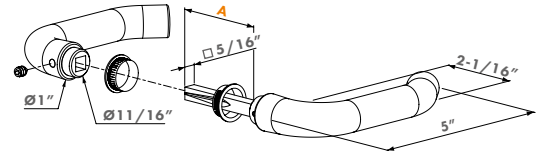
Aluminum handle pair

3006D

Aluminum handle pair

3006D

Aluminum handle pair.



A

Follower length 2-3/8"



**24h
SHIPPING**

Specifications

- ✔ Round knobs in aluminum
- ✔ Square 8 mm shaft (appx 5/16")

Order code

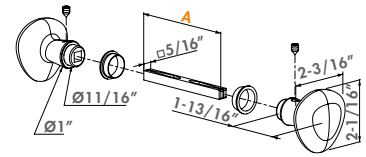
Aluminum handle pair

3006R

Round knob pair in aluminum

3006R

Aluminum round handle pair



A

Follower length 3-9/16"



**24h
SHIPPING**

Specifications

- ✔ Handle pair in stainless steel
- ✔ Square 8 mm shaft (appx 5/16")

Order code

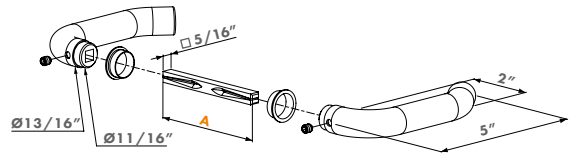
Stainless steel handle pair

3006I

Stainless steel handle pair

3006I

Stainless steel handle pair



A

Follower length 3-9/16"



Specifications

- ✔ Special design avoids bumping of the hand against the stop plate

Order code

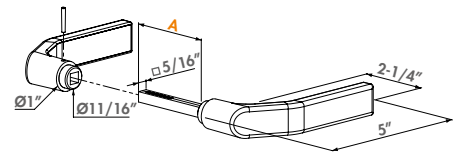
Polyamide handle pair

3006G

Handle pair in polyamide

3006G

Handle pair in polyamide.



A

Follower length 2-5/8"



Specifications

- ✔ Square 8 mm shaft (appx 5/16")
- ✔ Applicable with garden gate locks

Order code

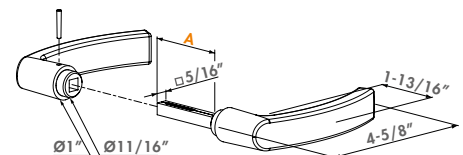
Polyamide handle pair

3006P

Garden handle pair in polyamide

3006P

Polyamide handle pair



A

Follower length 2-1/8"



**24h
SHIPPING**

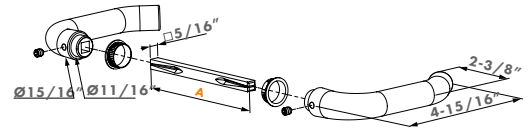
Specifications

- ✔ Square 8 mm shaft (appx 5/16")

Black anodized aluminum handle pair for insert locks

3006B-H

Black anodized aluminum handle pair with 4-3/4" long spindle for use with insert locks



Order code

3006B-H

A

Follower length 4-3/4"



NEW

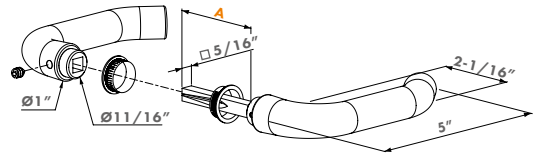
Anodized aluminum handle pair for insert locks

3006D-H

Handle set in anodized aluminum with 4-3/4" crank pin for use with insert locks

Specifications

- ✔ Square 8 mm shaft (appx 5/16")



Order code

3006D-H

A

Follower length 4-3/4"



**24h
SHIPPING**

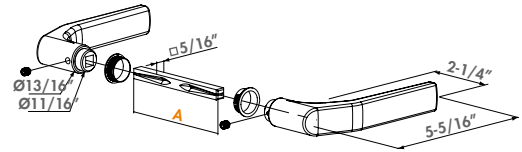
Specifications

- ✔ Special design avoids bumping of the hand against the stop plate
- ✔ Square 8 mm shaft (appx 5/16")

Handle pair in aluminum for insert locks

3006J-H

Handle pair in aluminum with square 4-3/4" spindle for insert locks.



Order code

3006J-H

A

Follower length 4-3/4"



**24h
SHIPPING**

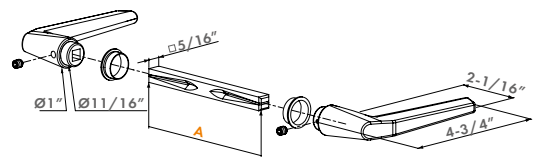
Specifications

- ✔ Handle pair in anodized aluminum
- ✔ Square 8 mm shaft (appx 5/16")

Handle pair in aluminum for insert locks

3006M-H

Aluminum handle pair with 4-3/4" long spindle for use with insert locks



Order code

3006M-H

A

Follower length 4-3/4"



**24h
SHIPPING**

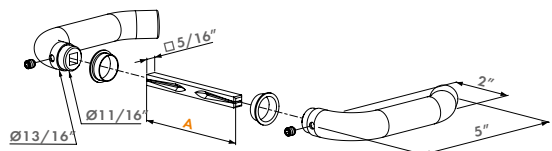
Specifications

- ✔ Handle pair in stainless steel
- ✔ Square 8 mm shaft (appx 5/16")

Handle pair in stainless steel for insert locks

3006I-H

Handle pair in stainless steel with square 4-3/4" spindle for insert locks.



Order code

3006I-H

A

Follower length 4-3/4"



Anti-theft protection plate for Locinox keeps

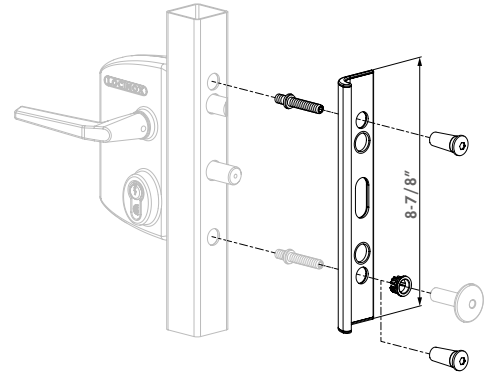
SHIELD-

Vandal-proof protection plate in aluminum. This plate protects the latch bolt and the night bolt. Compatible with Locinox keeps (type SA, SH and Modulec).

**24h
SHIPPING**

Specifications

- ✔ Vandal-proof protection plate
- ✔ Powder coated aluminum housing
- ✔ Provided with plastic sliding sleeves for a perfect pen guidance. Very convenient in combination with gate closers
- ✔ Shield can easily be mounted on the surface mounted lock and is available for gate frames of 1-1/2" to 2-1/2"



Compatible keeps



MODULEC-SA
P. 98



MODULEC-SH
P. 98



SAKL QF
P. 99

Order code

SHIELD- Anti-theft protection plate for standard SA/SH and Modulec-SA/SH keeps **24h
SHIPPING**



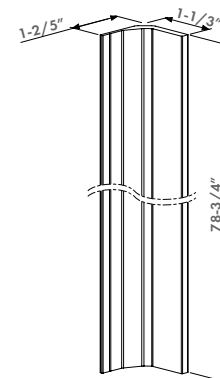
NEW Aesthetic closure of the opening between gate wings

SHIELDLINE-

6 foot 7 inch profile of extruded aluminum that fills the space between the two gate wings for increased privacy. Works in conjunction with the SFKU and can also be applied to the hinge sides.

Specifications

- ✔ Extruded aluminum
- ✔ 6 foot, 7 inches long
- ✔ Compatible with SFKU: connection parts delivered in SFKU packaging
- ✔ Available in ALUM, RAL7016 and RAL9005



Compatible keep



SFKU
P. 108

Order code

SHIELDLINE-SFKU-40- Aesthetic closure of the opening between gate wings

Adaptor plate for Modulec strike

3018MOD-

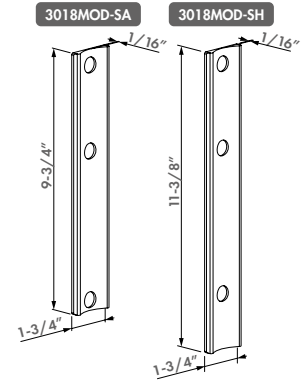
Adaptor plate for square to round posts for Modulec electric strike. The plate is mounted between strike and post. A perfect fit for round posts.



24h
SHIPPING

Specifications

- ✓ Aluminum adaptor plate for Modulec on round profiles
- ✓ Black anodized
- ✓ Separate versions for SA and SH available
- ✓ Is easily installed between strike and post



Compatible keeps



MODULEC-SA
P. 98



MODULEC-SH
P. 98

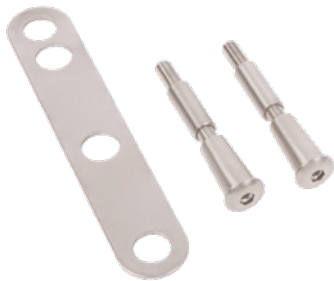
Order codes

- 3018MOD-SA** Adaptor plate for square to round posts for Modulec-SA electric strike **24h SHIPPING**
- 3018MOD-SH** Adaptor plate for square to round posts for Modulec-SH electric strike **24h SHIPPING**

Guide plate for a smooth guidance of the bolts of the surface mounted lock

LOCK.GUIDE-

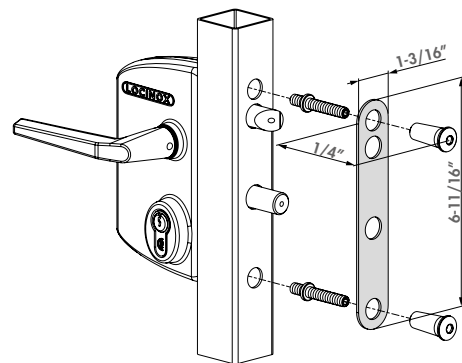
Stainless steel guide plate for a smooth guidance of the bolts of any surface mounted Locinox lock. Easy installation guaranteed.



24h
SHIPPING

Specifications

- ✓ 2 mm (3/32") thick stainless steel guidance plate
- ✓ Combinable with all surface mounted gate locks
- ✓ Available for 1-1/2" to 4" gate frames



Compatible locks



LAKQ U2
P. 59



LPKQ U2
P. 63

Order codes

- LOCK.GUIDE-4060** Guide plate for 1-1/2" to 2-1/2" gate frames
- LOCK.GUIDE-80100** Guide plate for 3" to 4" gate frames

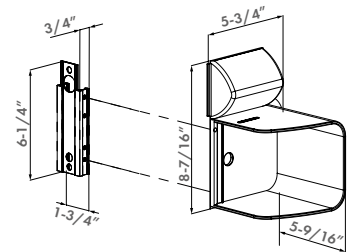
i A buyer's guide to the shroud



NEW Security shroud for free exit code lock

SHROUD-LO- (Patented)

This shroud restricts access to the handle from outside the gate. Compatible with mechanical (Free Vinci) and electronic (Valentino) code lock.



Specifications

- ✓ Shroud made out of polyamide with black matte finish
- ✓ Compatible with electronic (Valentino) code lock
- ✓ Compatible with 3006C-2, 3006R-2 and 3006-PUSH handles only
- ✓ Easy installation and security guaranteed
- ✓ Available with (-P) or without (-Z) untreated aluminum shield plate (half-moon shape)
- ✓ For gate profiles of 1-1/2" up to 2-1/2"

Compatible locks



LOKQ Y2
P. 65

Order codes

SHROUD-LO-P Security shroud for free exit code lock, with untreated aluminum shield plate

SHROUD-LO-Z Security shroud for free exit code lock, without untreated aluminum shield plate

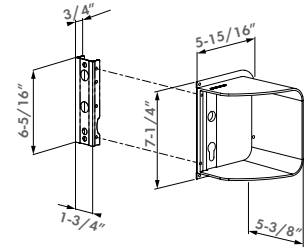


**24h
SHIPPING**

Security shroud for surface mounted locks with free exit configuration

SHROUD-LA-

This shroud restricts access to the handle from outside the gate.



Specifications

- ✔ Compatible with free exit type configs of single Europrofile cylinder locks (LP, LA, ...)
- ✔ Compatible with 3006R-2, KIDLOC-2, 3006KR and 3006PUSH door handles only
- ✔ Easy installation and security guaranteed
- ✔ Available with (-P) or without (-Z) untreated aluminum shield plate (half-moon shape)
- ✔ For gate profiles of 1-1/2" up to 2-1/2"

Order codes

SHROUD-LA-P	Security shroud for surface mounted locks with free exit configuration, with untreated aluminum shield plate
SHROUD-LA-Z	Security shroud for surface mounted locks with free exit configuration, without untreated aluminum shield plate

Compatible handles

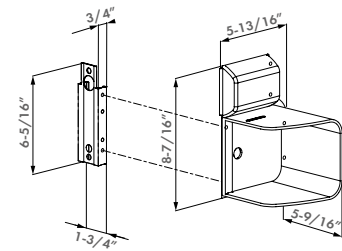


**24h
SHIPPING**

Security shroud for free exit mechanical code lock

SHROUD-LF-

This shroud restricts access to the handle from outside the gate.



Specifications

- ✔ Shroud made out of polyamide with black matte finish
- ✔ Compatible with Free Vinci mechanical code lock
- ✔ Compatible with 3006C-2, 3006R-2 and 3006-PUSH handles only
- ✔ Easy installation and security guaranteed
- ✔ Available with (-P) or without (-Z) untreated aluminum shield plate (half-moon shape)
- ✔ For gate profiles of 1-1/2" up to 2-1/2"

Order codes

SHROUD-LF-P	Security shroud for free exit mechanical code lock, with untreated aluminum shield plate
SHROUD-LF-Z	Security shroud for free exit mechanical code lock, without shield plate

Compatible handles



**24h
SHIPPING**

Protection plate to avoid access to the handle from the outside

SHROUD-SA-

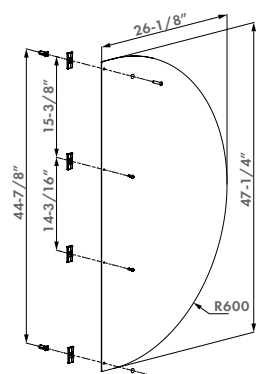
Moon shape aluminum protection plate restricting access from the outside of the gate, on the keep side, to the handles.

Specifications

- ✔ Uncoated aluminum shield plate
- ✔ To be installed on the keeper side of the gate
- ✔ Perfect shielding on gate and post side when installed together with SHROUD-LA-P / LF-P
- ✔ Easy installation and security guaranteed
- ✔ For gate profiles of 1-1/2" up to 2-1/2"

Order code

SHROUD-SA-	Protection plate to avoid access to the handle from the outside
-------------------	---



Adaptor plate for LA, LM and LS locks

3019LA

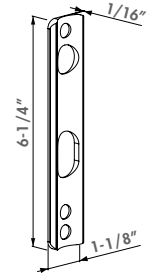


24h
SHIPPING

Specifications

- ✓ Aluminum adaptor plate for LA & LS locks
- ✓ Adaptor plate => Ø1-3/8" to 2-3/8"

Adaptor plate for gate frames for our Ornamental, Industrial, Electrical, Garden Gate, Swimming Pool, Mechanical Code, and Sliding Gate locks. The adaptor plate is mounted between the lock and gate frame.



Compatible locks



LAKQ U2
P. 59



LMKQ V2
P. 66



LAKZ P1
P. 74



LSKZ U2
P. 80

Order code

3019LA Adaptor plate for round posts Ø1-1/2" **24h**
SHIPPING

Adaptor plate for SA keeps

3018LA

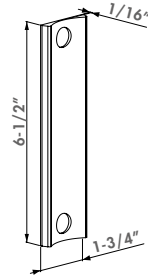


24h
SHIPPING

Specifications

- ✓ Polyamide adaptor plate for SA keep
- ✓ Adaptor plate => Ø2-3/8"

The adaptor plate is mounted between the keep and post.



Compatible keep



SAKL QF
P. 99

Order code

3018LA Adaptor plate for round posts Ø2-9/16" **24h**
SHIPPING

Adaptor plate for SH keeps

6403

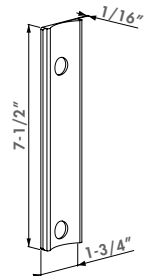


24h
SHIPPING

Specifications

- ✓ Aluminum adaptor plate for SH keeps
- ✓ Adaptor plate => Ø2-3/8"

The adaptor plate is mounted between the keep and post.



Compatible keep



SHKL QF
P. 99

Order code

6403 Adaptor plate for round posts Ø2-9/16" **24h**
SHIPPING



Chain link tension bar adapter

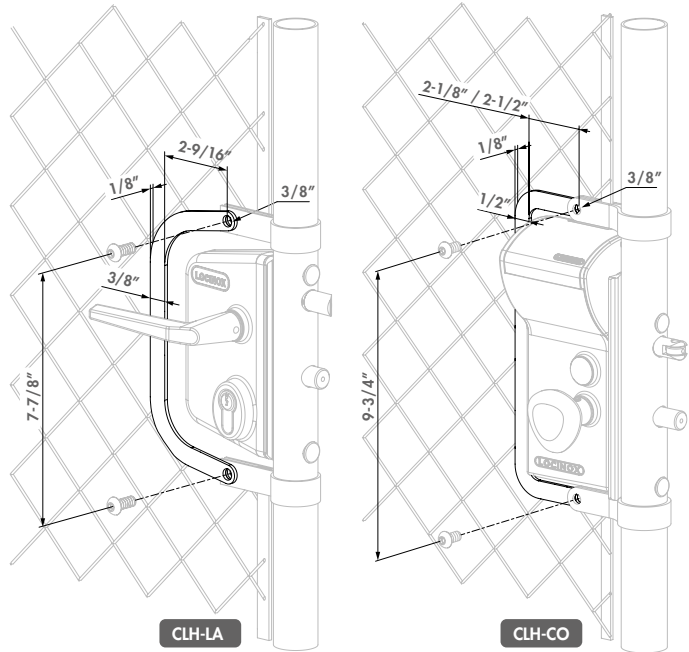
CLH-

This tension bar adaptor fits around our industrial, electrical, garden and sliding gate locks to give an aesthetic, finished look to chain link gates. There is a separate chain link tension bar adapter available for the mechanical code locks.

**24h
SHIPPING**

Specifications

- ✔ Hot-dip galvanized steel
- ✔ Install with 2 tension bands (not included)
- ✔ Ties in with the tension bar for a finished look



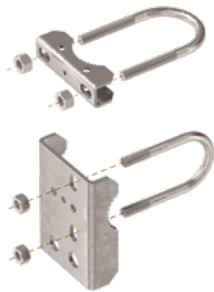
Order codes

CLH-LA

Chain link tension bar adaptor for standard gate locks

CLH-CO

Chain link tension bar adaptor for mechanical code locks



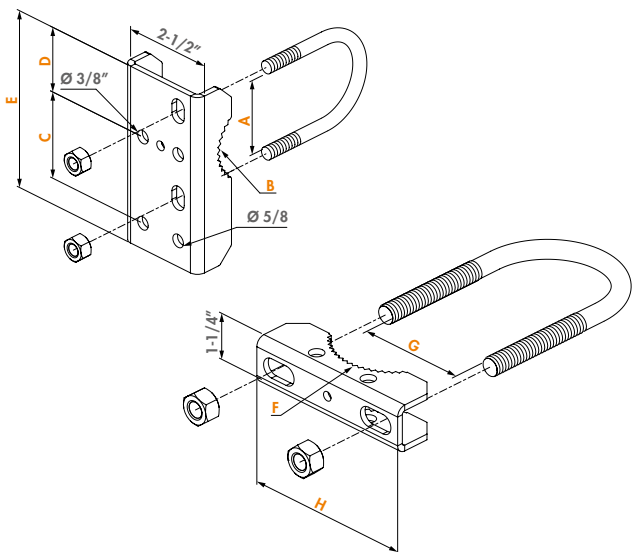
Galvanized bracket to mount Samson-2 to chain link fence

SB-

The chain link mounting bracket allows the Samson gate closer to easily adapt to gates with round profiles and round hinge posts. Brackets are galvanized steel with U-Bolts and stainless SD&T screws to lock the brackets into position. Available to fit 3" or 4" round posts and 1-5/8" or 1-7/8" gate frames.

Specifications

- ✔ Compatible with Samson-2
- ✔ Galvanized steel mounting brackets for round frames



Order codes

SB-3015

A	B	C	D	E	F	G	H
1-5/8"	1-5/8"	2-3/16"	1-9/16"	4-1/2"	3"	3"	4-3/4"
1-7/8"	1-7/8"	2-3/8"	1-3/4"	4-13/16"	3"	3"	4-3/4"
1-5/8"	1-5/8"	2-3/16"	1-9/16"	4-1/2"	4"	4"	5-7/8"
1-7/8"	1-7/8"	2-3/8"	1-3/4"	4-13/16"	4"	4"	5-7/8"

SB-3020

SB-4015

SB-4020

Round chain link adaptor plate for Lion gate closer

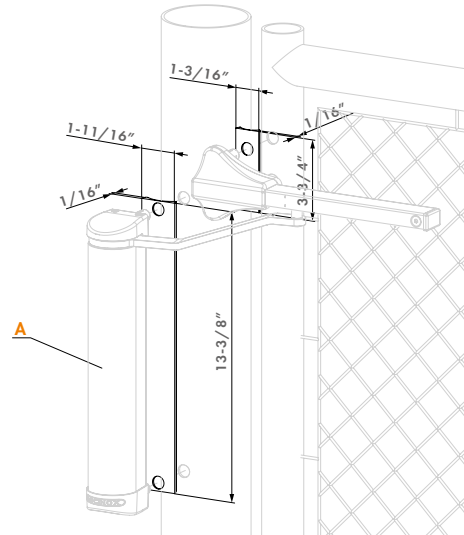
3018LION



**24h
SHIPPING**

Specifications

- ✓ Aluminum adaptor plate for Lion
- ✓ Black anodized
- ✓ For Lion 180° version, for gate frames starting from 1-5/8"
- ✓ For both 90° and 180° mounting situations
- ✓ Is easily installed between gate closer and post



Order code

3018LION

A

Lion



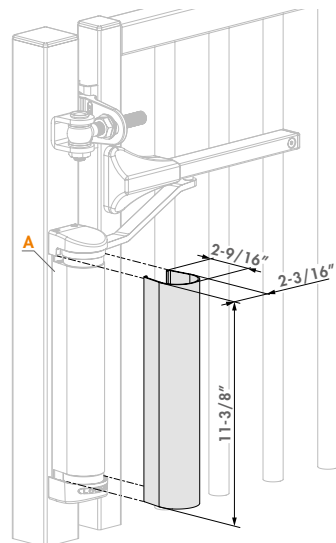
Uncoated aluminum shell for Lion gate closer

SHELL-LION-

Match the color of the Lion gate closer with the gate, or your company colors. The uncoated aluminum shell allows a powder coating in any color possible. The aluminum shell replaces the anodized shell which comes with the Lion. Elegant finish guaranteed, no fixation bolts are visible after mounting.

Specifications

- ✓ Shell must be powder coated to avoid corrosion
- ✓ Powder coating in any color possible
- ✓ Replaces the shell delivered with Lion



Order code

SHELL-LION-ALUM

A

Lion



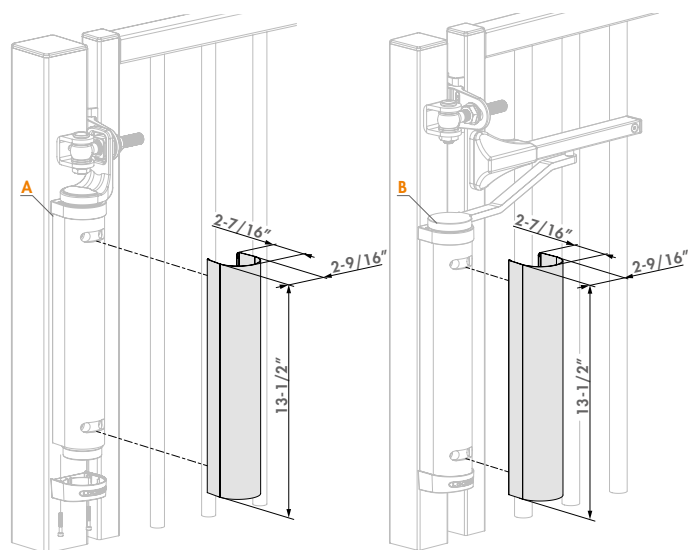
Uncoated aluminum cover for the Rhino and Verticlose-2 gate closers

SHELL-RHINO-VTC-

Match the color of the Rhino and Verticlose-2 gate closers with the gate, or your company colors. The uncoated aluminum shell allows a powder coating in any color possible. The aluminum shell replaces the anodized shell which comes with the Lion or Verticlose-2. Elegant finish guaranteed, no fixation bolts are visible after mounting.

Specifications

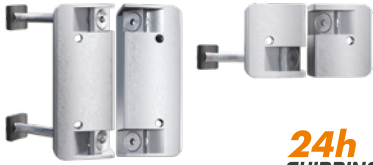
- ✓ Shell must be powder coated to avoid corrosion
- ✓ Powder coating in any color possible
- ✓ Replaces the shell delivered with Verticlose 2



Order code

SHELL-RHINO-VTC-ALUM

A **B**
Rhino Verticlose-2



**24h
SHIPPING**

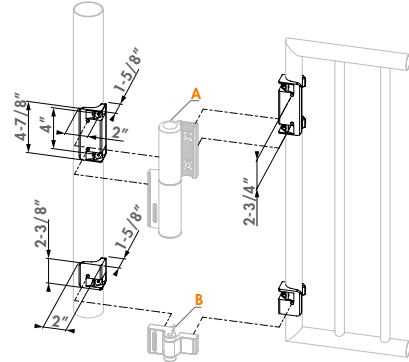
Specifications

- ✓ Aluminum anodized assembly brackets for Tiger on chain link fences
- ✓ Diameter post: 1-7/8" to 3"
- ✓ Diameter gate profile: 1-3/8" to 1-7/8"
- ✓ All fixations included
- ✓ Drilling jig included for easy installation
- ✓ Gap from 5/8" to 1-5/16"

Chain link bracket for Tiger gate closer

CLB-TIGER

High quality aluminum bracket for installation of Tiger gate closer on round chain link fences. The brackets are installed between gate closer and post. A perfect, firm and easy installation is guaranteed thanks to the drilling jig. The brackets for the Puma hinge are included.



Order code

CLB-TIGER

A **B**
Tiger Puma



**24h
SHIPPING**

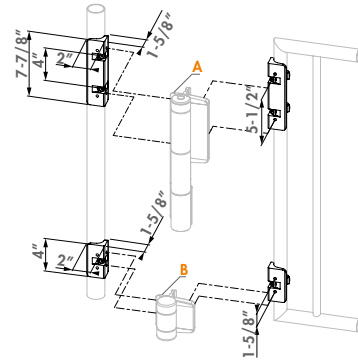
Specifications

- ✓ Aluminum anodized assembly brackets for Mammoth on chain link fences
- ✓ Diameter post: 1-7/8" to 4"
- ✓ Diameter gate profile: 1-3/8" to 1-7/8"
- ✓ All fixations included
- ✓ Drilling jig included for easy installation
- ✓ Gap from 1-3/16" to 2-1/16"

Chain link bracket for Mammoth gate closer

CLB-MAMMOTH

High quality aluminum bracket for installation of Mammoth gate closer on round chain link fences. The brackets are installed between gate closer and post. A perfect, firm and easy installation is guaranteed thanks to the drilling jig. The brackets for the Dino hinge are included.



Order code

CLB-MAMMOTH

A **B**
Mammoth-180 Dino



**24h
SHIPPING**

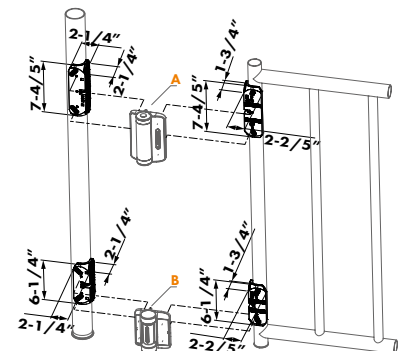
Specifications

- ✓ Engineered plastic brackets for Caracal on chain link fences
- ✓ Includes brackets for Serval hinge
- ✓ Diameter post: 1-7/8" to 3"
- ✓ Diameter gate profile: 1-3/8" to 1-7/8"
- ✓ All fixations included
- ✓ Gap from 1-3/16" to 2"

Chain link bracket for Caracal gate closer

CLB-CARACAL

High quality engineered plastic bracket for installation of the Caracal gate closer on round chain link fences. The brackets are installed between the gate closer and the post. A perfect, firm and easy installation is guaranteed. The brackets for the Serval hinge are included.



Order code

CLB-CARACAL

A **B**
Caracal Serval



24h
SHIPPING

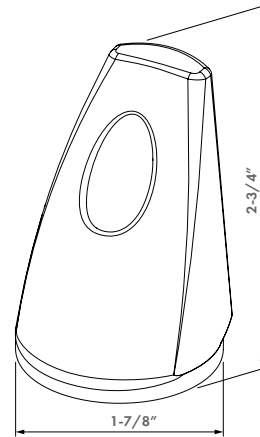
Anti climb device to be mounted on top of the Serval spring hinge

NOSTEP

The NoStep is installed on top of the Serval spring hinge and avoids children to use Serval as a step to climb over the gate. Made out of Fiberglass reinforced PA, the NoStep matches perfectly with the Serval. Easy installation guaranteed.

Specifications

- ✔ Made out of Fiberglass reinforced PA
- ✔ To be mounted on top of the Serval spring hinge



Order code

NOSTEP

Compatible with

Serval

NEW Stainless steel accessory for gate closer installation on barred fencing

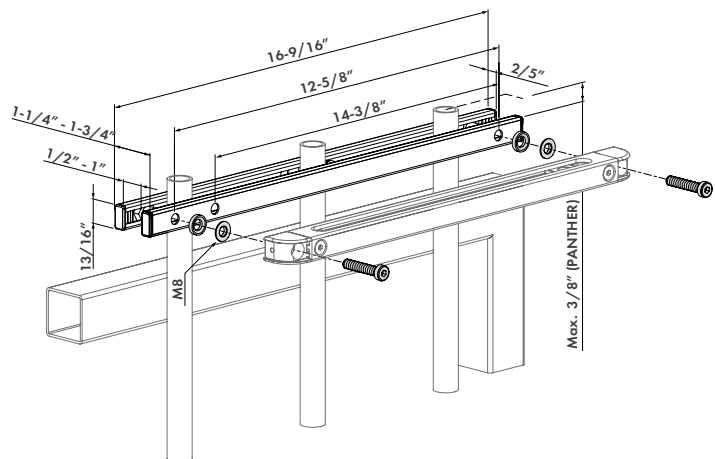
RAIL-FIT



Stainless steel accessory for installation of the gate closer rails on alternative fencing. The accessory can be clamped onto any bar to mount the rail of the Panther, Lion or Verticlose-2(-WALL) gate closer.

Specifications

- ✔ Stainless steel with polyamide finish
- ✔ Compatible with Panther, Lion and Verticlose-2 gate closers



Order code

RAIL-FIT

Compatible with

Panther Lion Verticlose-2

Adaptor plates

Triangular cylinder set for triangle keys

3012-POC-

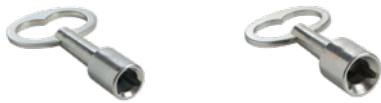
Stainless steel symmetric Europrofile cylinder set with which you can equip each Locinox lock with a triangular key access control on cylinder level. Available for the 7/16", 9/16" or 11/16" triangle key. Applications: waste management, access fire brigade, parking facilities,...



Specifications

- ✓ Stainless steel triangular cylinder set
- ✓ Quick and easy retro-fitting assembly
- ✓ Can replace every 2-1/8" - 2-3/8" Europrofile cylinder

Compatible triangle keys



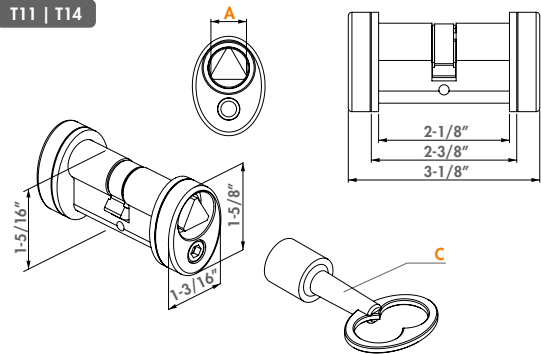
3071-T11
P. 195

3071-T14
P. 195

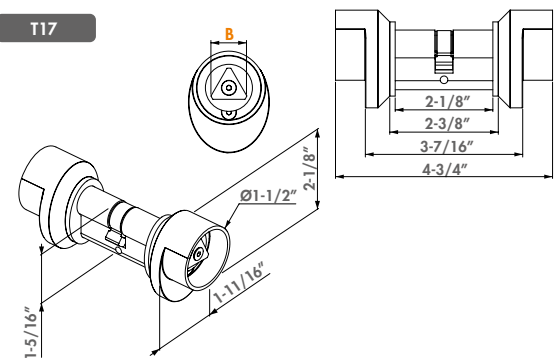
Order codes

Triangle width	A	B	C
3012-POC-T11	11 mm (7/16")		3071-T11
3012-POC-T14	14 mm (9/16")		3071-T14
3012-POC-T17		17 mm (11/16")	

T11 | T14



T17



46 mm cylinder (1-13/16" L)

3012-46-STD

Europrofile cylinder with three keys: 46mm (1-13/16"), keyed alike or keyed to differ.



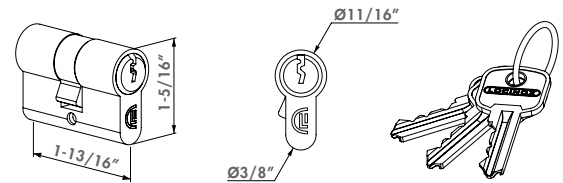
24h
SHIPPING

Specifications

- ✓ 46 mm (1-13/16") Europrofile cylinder with three keys
- ✓ VCA: keyed different
- ✓ GCA: keyed alike A
- ✓ GCB: keyed alike B
- ✓ GCC: keyed alike C
- ✓ GCD: keyed alike D

Order codes

3012-46-STD-VCA	Symmetric 29/32" - 29/32" cylinder, keyed to differ
3012-46-STD-GCA	Symmetric 29/32" - 29/32" cylinder, keyed alike A
3012-46-STD-GCB	Symmetric 29/32" - 29/32" cylinder, keyed alike B
3012-46-STD-GCC	Symmetric 29/32" - 29/32" cylinder, keyed alike C
3012-46-STD-GCD	Symmetric 29/32" - 29/32" cylinder, keyed alike D



54 mm cylinder (2-1/8" L)

3012-54-STD

Europrofile cylinder with three keys: 54mm (2-1/8"), keyed alike or keyed to differ.



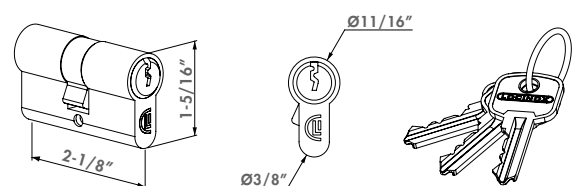
24h
SHIPPING

Specifications

- ✓ VSZ: keyed different
- ✓ GSZ: keyed alike Z
- ✓ GSY: keyed alike Y
- ✓ GSX: keyed alike X
- ✓ GSZ: Only compatible with the 3012-54-STD-GSZ. GSZ cylinders in other lengths are not compatible with each other

Order codes

3012-54-STD-VSZ	Symmetric 1-1/16" - 1-1/16" cylinder, keyed to differ
3012-54-STD-GSZ	Symmetric 1-1/16" - 1-1/16" cylinder, keyed alike Z
3012-54-STD-GSY	Symmetric 1-1/16" - 1-1/16" cylinder, keyed alike Y
3012-54-STD-GSX	Symmetric 1-1/16" - 1-1/16" cylinder, keyed alike X





60 mm cylinder (2-3/8" L)

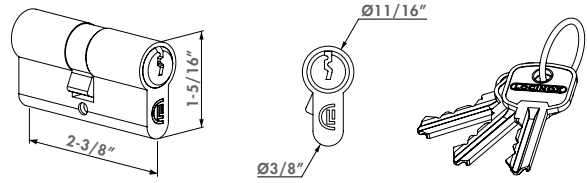
3012-60-STD

Europrofile cylinder with three keys: 60 mm (2-3/8"), keyed alike or keyed to differ.

**24h
SHIPPING**

Specifications

- ✓ 60 mm (2-3/8") Europrofile cylinder with three keys
- ✓ GSZ: Only compatible with the 3012-54-STD-GSZ. GSZ cylinders in other lengths are not compatible with each other



Order codes

3012-60-STD-GSZ Symmetric 1-1/4" - 1-1/4" cylinder, keyed alike

3012-60-STD-VSZ Symmetric 1-1/4" - 1-1/4" cylinder, keyed to differ



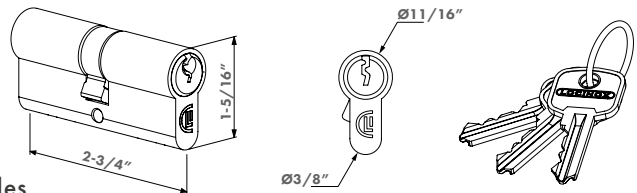
NEW 70 mm cylinder (3-1/8" L)

3012-70-STD

Europrofile cylinder with three keys: 70 mm (3-1/8"), keyed alike or keyed to differ.

Specifications

- ✓ 70 mm (3-1/8") Europrofile cylinder with three keys
- ✓ GSZ: Only compatible with the 3012-54-STD-GSZ. GSZ cylinders in other lengths are not compatible with each other



Order codes

3012-70-STD-GSZ Symmetric 1-3/8" - 1-3/8" cylinder, keyed alike

3012-70-STD-VSZ Symmetric 1-3/8" - 1-3/8" cylinder, keyed to differ



80 mm cylinder (3-1/8" L)

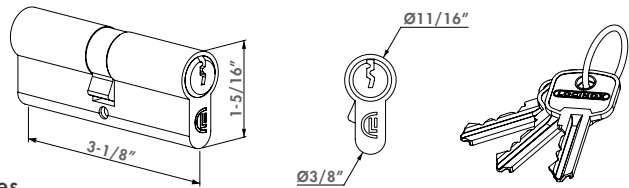
3012-80-STD

Europrofile cylinder with three keys: 80 mm (3-1/8"), keyed alike or keyed to differ.

**24h
SHIPPING**

Specifications

- ✓ 80 mm (3-1/8") Europrofile cylinder with three keys
- ✓ GSZ: Only compatible with the 3012-54-STD-GSZ. GSZ cylinders in other lengths are not compatible with each other



Order codes

3012-80-STD-GSZ Symmetric 1-1/2" - 1-1/2" cylinder, keyed alike

3012-80-STD-VSZ Symmetric 1-1/2" - 1-1/2" cylinder, keyed to differ





**24h
SHIPPING**

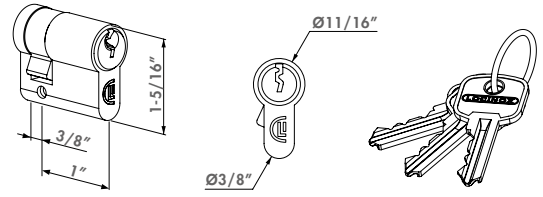
Specifications

- ✓ 37 mm (1-7/16) half cylinder with three keys
- ✓ One side key / one side blind
- ✓ Used with Keydrop, Electradrop and Keysafe
- ✓ GSZ: Only compatible with the 3012-54-STD-GSZ. GSZ cylinders in other lengths are not compatible with each other

37 mm half cylinder (1-7/16" L)

3012-37-STD

Half Europrofile cylinder 37mm (1-7/16"). Same keys as GSZ-cylinders. Used for Keydrop, Keysafe and Electradrop.



Order code

3012-37-STD-GSZ Asymmetric 3/8" - 1-1/16" cylinder, keyed alike Z



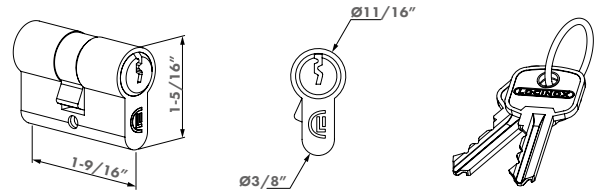
Specifications

- ✓ 40 mm (13/16") Europrofile cylinder with two keys
- ✓ VEA: keyed to differ

40 mm cylinder (13/16")

3012-40-STD-VEA

Europrofile cylinder with two keys: 40 mm (13/16"), keyed to differ



Order code

3012-40-STD-VEA 40 mm cylinder (13/16")



**24h
SHIPPING**

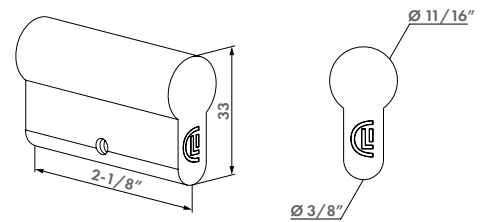
Specifications

- ✓ Dummy cylinder disables dead bolt locking
- ✓ For panic gates in combination with the 3006PUSH and PUSHBAR

54 mm dummy cylinder (2-1/8" L)

3012-54-DSA

Dummy cylinder Europrofile 54mm (2-1/8"). Prevents the lock from being locked by disabling the dead bolt.



Order code

3012-54-DSA Europrofile dummy cylinder 2-1/8" **24h
SHIPPING**



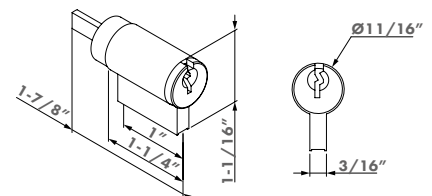
Specifications

- ✓ Schlage C-Keyway
- ✓ 5 pin code (drilled 6 pin - rekeyable)
- ✓ Satin Nickel Plated
- ✓ Keyed alike (GMA) cylinder is provided as standard in the FortiMa pool latch
- ✓ Keyed different (VMZ) cylinder is available separately
- ✓ 2 keys included

Rekeyable Key-In-Knob cylinder

KIK-114-

Rekeyable Key-In-Knob (KIK) cylinder set with 2 keys, provided as standard in the FortiMa pool latch. Available in keyed alike and keyed to differ.



Order codes

KIK-114-GMA Cylinder keyed alike



Mortise cylinders set

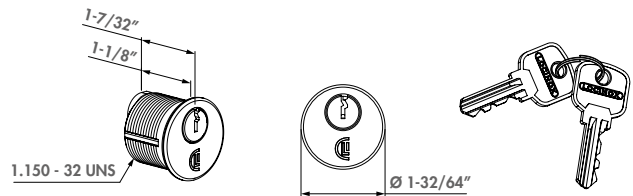
MRT-118

Set with 2x Mortise cylinders and 4 keys. Fits our new LUKY lock. Cylinders available in keyed alike and keyed to differ.

**24h
SHIPPING**

Specifications

- ✓ Length 1" 1/8
- ✓ Adams Rite cam type 863A
- ✓ 5 Pins code (6 pins drilled – rekeyable)
- ✓ Satin Nickel Plated
- ✓ 1, 150" x 32 UNS thread size
- ✓ 1,360" face diameter



Order codes

- MRT-118-GMA** Cylinder keyed alike **24h
SHIPPING**
- MRT-118-VMZ** Cylinder keyed to differ **24h
SHIPPING**



60 mm cylinder (2-3/8" L)

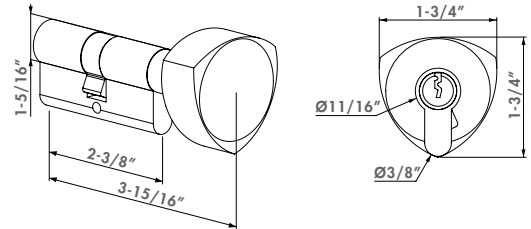
3012-60-KNOB

Europrofile cylinder with three keys and knob-turn on one side (single cylinder). Used when a free exit is required on one side.

**24h
SHIPPING**

Specifications

- ✓ 60 mm (2-3/8") Europrofile cylinder with three keys
- ✓ One side key / one side knob
- ✓ Free entrance on one side



Order codes

- 3012-60-KNOB-GSZ** Symmetric 1-1/4" - 1-1/4" knob cylinder, keyed alike
- 3012-60-KNOB-VSZ** Symmetric 1-1/4" - 1-1/4" knob cylinder, keyed to differ



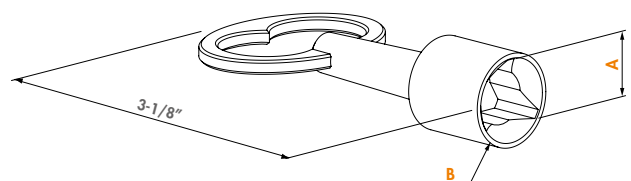
Triangle Key

3071-

Compatible with a lock that is equipped with an 7/16" or 9/16" triangle instead of a handle.

Specifications

- ✓ Compatible with 3012-POC-T11 / 3012-POC-T14 / 3006T11
- ✓ Zinc-plated



Order codes

Triangle width	A	B
3071-T11	11 mm (7/16")	Ø 5/8"
3071-T14	14 mm (9/16")	Ø 7/8"



**24h
SHIPPING**

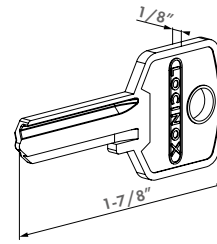
Specifications

- ✔ Blank key for cylinder 1-13/16"
- ✔ For reproducing cylinders keys for 3012-46-STD

Blank key 1-13/16"

3070-46

Key blank that allows you to reproduce copies



Order code

3070-46 Blank key for reproducing 2-1/8" cylinders **24h
SHIPPING**



**24h
SHIPPING**

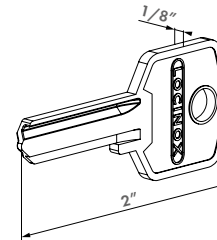
Specifications

- ✔ Blank key for cylinder 2-1/8"
- ✔ For reproducing cylinder keys for 3012-37-STD and 3012-54-STD

Blank key 2-1/8"

3070-54

Key blank that allows you to reproduce copies



Order code

3070-54 Blank key for reproducing 1-13/16" cylinders **24h
SHIPPING**



**24h
SHIPPING**

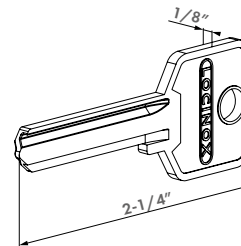
Specifications

- ✔ Key blanks for 60 mm (2-3/8") Euro cylinders
- ✔ For reproducing keys for 3012-60-STD cylinders

Key blanks for 60 mm (2-3/8") Euro cylinders

3070-60

Key blanks for 60 (2-3/8") and 80 mm (3-1/8") Euro cylinders.



Order code

3070-60 Key blanks for 60 mm (2-3/8") Euro cylinders **24h
SHIPPING**



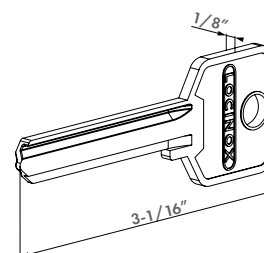
Specifications

- ✔ Key blanks for 80 mm (3-1/8") Euro cylinders
- ✔ For reproducing keys for 3012-80-STD cylinders

Key blanks for 80 mm (3-1/8") Euro cylinders

3070-80

Key blanks for 60 (2-3/8") and 80 mm (3-1/8") Euro cylinders.



Order code

3070-80 Key blanks for 80 mm (3-1/8") Euro cylinders



**24h
SHIPPING**

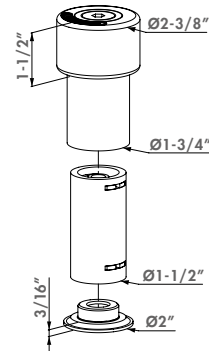
Gate stop with rubber bumper

GATESTOP

Aluminum gate stop. The rubber stop prevents the gate from being damaged. Height adjustable from 4" to 5-1/2". Can also be used as a wall stop. Includes anchor bolt.

Specifications

- ✔ Fast and easy installation
- ✔ Height adjustable: min 4" to 5-1/2" max
- ✔ Aluminum body with rubber stop
- ✔ Included anchor bolt M12 for concrete mounting



Order code

GATESTOP

Including anchor bolt



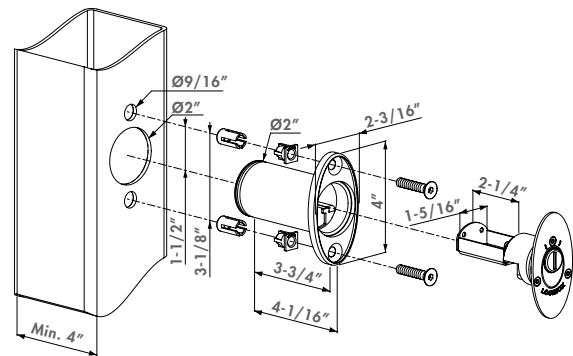
Keysafe tube mount with Quick-Fix

KEYSAFE QF

Stainless steel Keysafe. Supplied with Quick-Fix to mount inside metal profiles. Used for a safe storage of your spare gate lock keys.

Specifications

- ✔ Keysafe with Europrofile cylinder
- ✔ For safe storage of your gate lock keys
- ✔ Rust-resistant front cover
- ✔ Stainless steel cylinder cover
- ✔ Aluminum housing
- ✔ Fast and easy fixation with Quick-Fix bolts



Order code

KEYSAFE QF

Including 3012-37-STD-GSZ



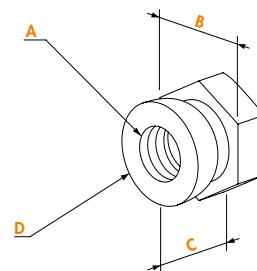
Security "break-off" nuts

SECUNUT

Stainless steel anti-theft nuts for security applications.

Specifications

- ✔ Stainless steel security nuts for anti-theft applications
- ✔ Available in M6, M8 and M10



Order codes

SECUNUT-M6

SECUNUT-M8

SECUNUT-M10

	A	B	C	D
M6	3/8"	3/8"	Ø3/8"	
M8	1/2"	7/16"	Ø1/2"	
M10	11/16"	9/16"	Ø5/8"	

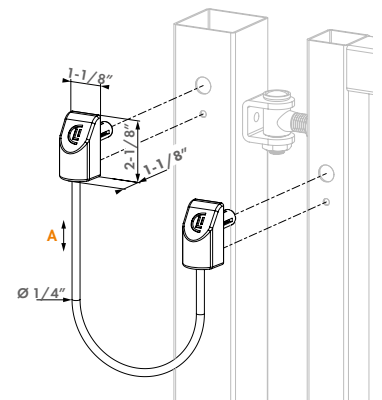


EN 12604 **24h SHIPPING**

Stainless steel safety cable for gates up to 1,100 lbs

U-SAFE

The U-Safe gate safety cable provides additional security to your gates. Should the gate become detached, the U-safe will keep it from falling down. Thanks to the patented Quick-Fix anchor bolts, the U-Safe easily installs onto the post and gate frame.



Specifications

- ✔ Stainless steel safety cable rated at 3,300 lbs.
- ✔ Cable length of 11-13/16", thickness of 3/16" thick with protective transparent sleeve of 1/16"
- ✔ Installed using Quick-Fix anchor bolts (rated at 2,000 lbs. each)
- ✔ EN 12604 compliant
- ✔ For gates up to 1,100 lbs
- ✔ Easy installation guaranteed

Order code

U-SAFE

A

Length 11-3/4"

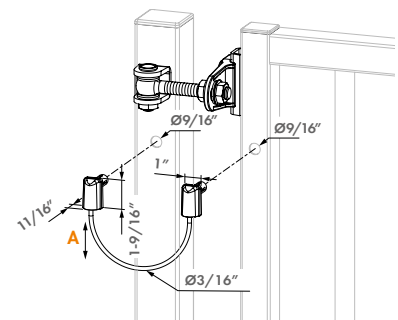


EN 12604

Stainless steel safety cable for gates up to 1,100 lbs

B-SAFE

The B-Safe gate safety cable provides additional security to your gates. Should the gate become detached, the B-Safe will keep it from falling down. Thanks to the patented Quick-Fix anchor bolts, the B-Safe easily installs onto the post and gate frame. The B-Safe is recommended for gates up to 1,100 lbs, being rated up to 2,200 lbs, and has been developed to secure a gate in accordance with EN 12604.



Specifications

- ✔ Cable length of 8-11/16", thickness of 3/16" thick with protective transparent sleeve of 1/16"
- ✔ Firmly fixed thanks to patented Quick-Fix system
- ✔ EN 12604 compliant
- ✔ For gates up to 1,100 lbs
- ✔ Easy installation guaranteed

Order code

B-SAFE

A

8-1/2"



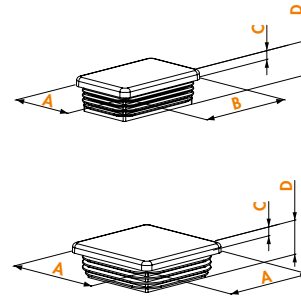
Post plug

TC

Polypropylene post plugs.

Specifications

- ✓ Polypropylene post plug for square profiles
- ✓ Available in RAL6005 and RAL9005



Order codes

For square profiles	For rectangular profiles	A	B	C	D
TC-4040		1-1/2"	3/16"	3/4"	
TC-5050		2"	3/16"	3/4"	
TC-6060		2-3/8"	3/16"	3/4"	
	TC-4060	1-1/2"	2-3/8"	3/16"	3/4"



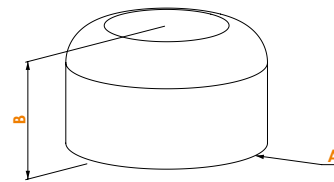
Post caps

TCR

Polypropylene post caps.

Specifications

- ✓ Polypropylene post cap for round profiles
- ✓ Available in RAL6005 and RAL9005



Order codes

For round profiles	A	B
TCR-42	Ø1-3/4"	1-3/16"
TCR-48	Ø2"	1-3/16"
TCR-60	Ø2-1/2"	1-1/2"



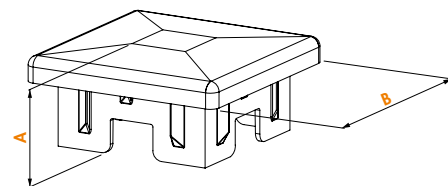
Square post cap

TCO-STD

Polypropylene post cap. Protects the upper borders of the posts.

Specifications

- ✓ Polypropylene square post cap for 2-3/8"x2-3/8", 3-1/8"x3-1/8" and 3-15/16"x3-15/16"
- ✓ Protects upper borders of posts



Order codes

For square profiles	A	B
TCO-STD-6060	1-5/8"	2-11/16"
TCO-STD-8080	1-5/8"	3-1/2"
TCO-STD-100100	1-7/8"	4-5/16"



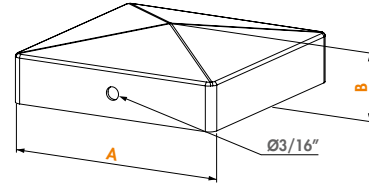
Post cap to screw on

TCO-SCR

Hot-dip galvanized post caps with screw hole. Perfect to protect and finish your posts. Applications: wood, aluminum or metal.

Specifications

- ✔ Hot-dip galvanized post caps to screw on



Order codes

For square profiles

	A	B
TCO-SCR-HDG-4040	1-11/16"	7/8"
TCO-SCR-HDG-5050	2-1/16"	15/16"
TCO-SCR-HDG-6060	2-1/2"	15/16"
TCO-SCR-HDG-8080	3-1/4"	1"
TCO-SCR-HDG-100100	4-1/16"	1-1/16"
TCO-SCR-HDG-120120	4-13/16"	1-1/8"



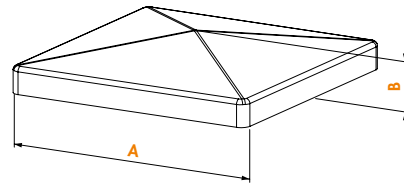
Post caps to weld on

TCO-WLD

Zinc-plated post caps to weld on. Perfect to protect and finish your posts. Applications: metal.

Specifications

- ✔ Zinc plated post caps to weld on



Order codes

Black steel post caps	Zinc-plated post caps	A	B
TCO-WLD-B-4040	TCO-WLD-Z-4040	1-11/16"	1/2"
TCO-WLD-B-5050	TCO-WLD-Z-5050	2-1/8"	1/2"
TCO-WLD-B-6060	TCO-WLD-Z-6060	2-1/2"	9/16"
TCO-WLD-B-8080	TCO-WLD-Z-8080	3-5/16"	5/8"
TCO-WLD-B-100100	TCO-WLD-Z-100100	4-1/16"	11/16"
TCO-WLD-B-120120	TCO-WLD-Z-120120	4-7/8"	3/4"





Security strip - weld on

PKWB2000-

Security strips in black steel to weld on. Packed per 20 pieces of 78-3/4" length.

24h
SHIPPING

Specifications

- ✔ Black steel for welding
- ✔ Mounting: weld on
- ✔ Profile: 1-5/16" x 1/8" thick
- ✔ Length: 78-3/4"
- ✔ Packed in tubes of 20 pcs 78-3/4" long

Order codes

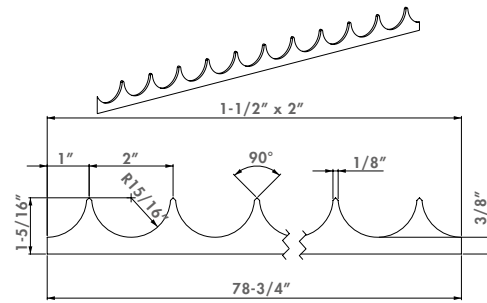
PKWB2000

PKWB2000-20

PKWB2000-100

PKWB2000-500

PKWB2000-1000



Security strips to weld on, packed in 1 tube of 20 pieces

Security strips to weld on, packed in 5 tubes of 20 pieces

Security strips to weld on, packed in 25 tubes of 20 pieces

Security strips to weld on, packed in 50 tubes of 20 pieces



Security strip to screw on

PKSG2000-

Hot-dip galvanized L-security strips to screw on. Packed per 10 pieces of 78-3/4"

Specifications

- ✔ Hot-dip galvanized toothed L-profile
- ✔ Mounting: screw on
- ✔ Profile: 1-7/16" x 1" x 1/8" thick
- ✔ Length: 78-3/4"
- ✔ Easy to retrofit
- ✔ Packed in tubes of 10 pcs 78-3/4" long

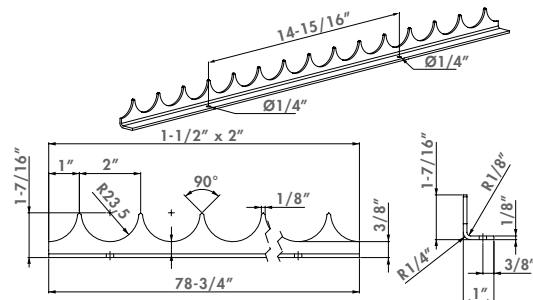
Order codes

PKSG2000

PKSG2000-10

PKSG2000-50

PKSG2000-250



Security strips to screw on, packed in 1 tube of 10 pieces

Security strips to screw on, packed in 5 tubes of 10 pieces

Security strips to screw on, packed in 25 tubes of 10 pieces



Electrogalvanized security strips to weld on

PKWB2000-EP-

Electrogalvanized security strips to weld on. Packed per 20 pieces of 78-3/4"

Specifications

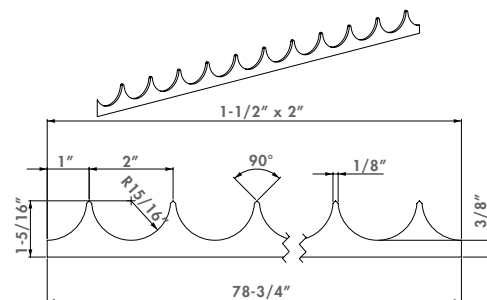
- ✔ Mounting: weld on
- ✔ Profile: 1-5/16" x 1/8" thick
- ✔ Length: 78-3/4"
- ✔ Packed in tubes of 20 pcs 78-3/4" long

Order codes

PKWB2000-EP

PKWB2000-EP-20

PKWB2000-EP-100



Electrogalvanized security strips to weld on, packed in 1 tube of 20 pieces

Electrogalvanized security strips to weld on, packed in 5 tubes of 20 pieces



PORTiMA

SLEEK AND STURDY
SAFE MAGNETIC LATCH
FOR POOLS AND FARBS

JOBS PARKS

PARKS PLAYGROUNDS

UNIQUE DESIGN

GUARANTEED STRENGTH

SAG-PROOF

WEATHER RESISTANT

REKEYABLE

PUSH-DOWN PREVENTION

TESTED TO 2 MIL CYCLES

LIFETIME

LOCINOX

Let's make it better together



CONTAINS EXTREMELY INNOVATIVE PRODUCTS

LOCINOX

Let's make it better together



SALES SUPPORT TOOLS

Convince your clients of the Locinox quality. We developed several gate displays and demo cases of our best selling products. Every featured Locinox product is full-scale and functioning just like in real-life.

These handy sales support tools perfectly claim what Locinox is standing for: exceptional quality, good value, extreme durability, user friendly comfort, easy installation, and much more. Let the lightweight gate displays and complete demo cases be your closest ally during sales visits or showcase them in your showroom. They will be an eyecatcher and make your sales talks much easier, believe us.



Gate closer display with 5 different gate closers

PS-GATECLOSERS

Real-scale gate closer gate display with Tiger, Mammoth, Samson-2, Lion and Verticlose-2 gate closers. This display is an excellent sales tool to showcase the quality solutions for your showroom, events and trade fairs.

Specifications

- ✔ Includes gate with Tiger gate closer, Fortylock insert lock, Puma hinge and SFKI keep
- ✔ Includes gate with Mammoth gate closer, SlimStone keypad, Modulec-SA keep, LAKQ lock and Dino hinge
- ✔ Includes gate with Samson-2 gate closer, Valentino (LOKQ) lock, Shield, SHKL keep and BoltonHD-4D hinge
- ✔ Includes gate with Lion gate closer, LAKZ lock, SMKL keep and Bolton-HD-4D hinge
- ✔ Includes gate with Verticlose-2 gate closer, LDKZ lock, SAKL keep and G90Z hinge



Order code

PS-GATECLOSERS

Full scale display with 5 gate closers and gate hardware

Gate closers



MAMMOTH-180
P. 14



TIGER
P. 13



LION
P. 20



VERTICLOSE-2
P. 22



SAMSON-2
P. 18

Access Control



SLIMSTONE-2-
P. 31



LOKQ Y2
P. 65



MODULEC-SA
P. 98

Gate Hardware



FORTYLOCK
P. 82



LAKQ U2
P. 59



LDKZ D1
P. 62



LAKZ P1
P. 74



Gate display with Lion gate closer, industrial lock and 90° hinge

PS-LION-

Aluminum gate display featuring the Lion hydraulic gate closer with a hot-dip galvanized 90° hinge, an industrial lock and a stainless steel keep.

Specifications

- ✔ High quality and lightweight aluminum display
- ✔ Information panel in 4 languages

Order code

PS-LION- Gate display with Lion gate closer, industrial lock and 90° hinge



Gate display with Tiger gate closer and industrial lock

PS-TIGER-

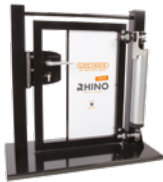
Aluminum gate display featuring the Tiger hydraulic gate closer with the industrial lock and stainless steel keep.

Specifications

- ✔ High quality and lightweight aluminum display
- ✔ Information panel in 4 languages

Order code

PS-TIGER- Gate display with Tiger gate closer and industrial lock



Gate display with Rhino gate closer, industrial lock and BoltonHD-4D hinge

PS-RHINO-

Aluminum gate display featuring the Rhino hydraulic gate closer with the boltable 180° BoltonHD-4D hinge, an industrial lock and a stainless steel keep.

Specifications

- ✔ High quality and lightweight aluminum display
- ✔ Information panel in 4 languages

Order code

PS-RHINO- Gate display with Rhino gate closer, industrial lock and BoltonHD-4D hinge



**24h
SHIPPING**

DAB+ radio with aux jack

RADIO

Portable rechargeable DAB+ radio. Shock- and waterproof. A nice gadget for your fencing installers.

Specifications

- ✔ Shock- and waterproof
- ✔ Power: 10 Watt
- ✔ AUX-jack
- ✔ Chargeable batteries included

Order code

RADIO Portable site radio with chargeable batteries included **24h
SHIPPING**

Table of contents

3DM	135	3970LA	162
3DW	139	3970LS	162
4DFIX-I	127	6403	186
4DFIX-I-12	127	ABK	158
4DW	139	ABL	158
1001U	126	AC-TRANS-12V-25W	47
1002B	133	BAR-A	173
1002M	126	BAR-I	173
1004ORNA	133	BEARING HINGE	136
1005WP	134	B-MAG	33
1034A2-	123	BOLTONHD-4D-	117
1034HDGA-	122	BOLTONHD-G-	116
1034ROLL-HDG-	123	BOLTON-P-	116
1036	131	BOLTON-U-	116
1039SET	130	B-SAFE	198
1040HDSM16-	145	CARACAL	24
1040TPS-M12-	145	CGS	153
1041-01	144	CLB-CARACAL	190
1127	131	CLB-MAMMOTH	190
2005	47	CLB-TIGER	190
3006A-2	178	CLH-	187
3006B	179	DC-ACCESS-12V-20W	48
3006B-H	181	DC-POWVER-12V-20W	48
3006C	179	DC-POWVER-24V-25W	48
3006D	180	DINO	136
3006D-H	181	DRILL-FIX	163
3006FA	178	DRILLØ15	162
3006FIX-	171	DURA	144
3006G	180	DVK	46
3006HOLD	172	DVK-HD	47
3006I	180	EGS	153
3006I-H	181	EIGHTYLOCK	85
3006J	179	ELECTRADROP	148
3006J-H	181	ELECTRADROP-R	149
3006KR	171	EXCENTRO-	115
3006M	179	FIFTYLOCK	83
3006M-2	178	FIFTYSET	89
3006M-H	181	FORTIMA-	76
3006P	180	FORTYLOCK	82
3006PAD	172	FORTYSET	89
3006PC	101	G90LR	129
3006PULL	174	G90WP	130
3006PUSH	174	G90Z	129
3006R	180	GAM12	144
3006R-2	178	GATESTOP	197
3006S	179	GATESWITCH	49
3006T11	174	GBM12	141
3012-37-STD	194	GBM12-DP	141
3012-40-STD-VEA	194	GBM16	142
3012-46-STD	192	GBM16-DP	142
3012-54-DSA	194	GBMU4D12	119
3012-54-STD	192	GBMU4D16	119
3012-60-KNOB	195	GBMU4D20	120
3012-60-STD	193	GBMU4DSHIELD	120
3012-70-STD	193	GBMU	122
3012-80-STD	193	G-ORNA-LR	132
3012-POC-	192	G-ORNA-WP	132
3018LA	186	GRIP12	128
3018LION	188	GRIP16	128
3018MOD-	183	GRIP16-L	128
3019LA	186	GRIP20	128
3020-HYB	90	GUARDIMA-	77
3025-HYB-	90	H-COMPACT	87
3025-HYB-BLIND-ALU	91	H-METAL	86
3070-46	196	H-METAL-SET	86
3070-54	196	H-METAL-WB	87
3070-60	196	HWKB	110
3070-80	196	HWLB	91
3071-	195	H-WOOD	93

H-WOOD-SET	93	ROLLTOP	166
IGC	159	SABO	154
INTERIO-GROUND-9005	17	SAKL QF	99
INTERIO	16	SAMSON-2	18
INTERIO-WALL-9005	17	SB-	187
INTRALEC-	109	SECUNUT	197
KEYDROP	151	SEH	97
KEYSAFE QF	197	SE	97
KIDLOC-2	178	SERVAL	25
KIDLOC	171	SF-	101
KIK-114-	194	SFKB	106
KLAUW-	127	SFKI	107
KLAUW12	126	SFKM	108
LAKQ H2	73	SFKO	107
LAKQ U2	59	SFKP	106
LAKQ U3	60	SFKU	108
LAKY F2	72	SHELL-LION-	188
LAKZ P1	74	SHELL-RHINO-VTC-	189
LAKZ P1 VSI	75	SHIELD-	182
LDKZ D1	62	SHIELDLINE-	182
LEKQ U4	69	SHKC	110
LFKQ X1	67	SHKL QF	99
LGKZ D1	81	SHKM	111
LIKQ U2	71	SHKW	111
LION	20	SHROUD-LA-	185
LION-VTC-DRILL	165	SHROUD-LF-	185
LLKZ V2	79	SHROUD-LO-	184
LMKQ V2	66	SHROUD-SA-	185
LOCITOO L A	166	SIXTYLOCK	84
LOCK.GUIDE-	183	SIXTYSET	89
LOKQ Y2	65	SKRZ	100
LPKQ U2	63	SLIMSTONE-2-	31
LR	134	SLIMSTONE-X-	30
LSKZ U2	80	S-MAG-	37
LUKY J5	61	SMKL QF	100
MAG-	39	SPKZ QF	102
MAGMAG-	40	SPKZ-TK	102
MAGUNIT-2500	34	SSKZ QF	103
MAMMOTH-180	14	STK QF	104
MAMMOTH-HD	15	STR60 QF	104
MODULEC-SA	98	SUBY	152
MODULEC-SF-	109	SWING40	140
MODULEC-SH	98	SWITCHSTONE-STD-	31
MRT-118	195	TC	199
N-LINE-B-MAG-	35	TCO-SCR	200
N-LINE-B-MAG-KIT-	36	TCO-STD	199
N-LINE MAG-	41	TCO-WLD	200
N-LINE MAG KIT-3000	43	TCR	199
N-LINE-S-MAG-	35	TIGERDRILL	164
NOSEHINGE-I	137	TIGER	13
NOSTEP	191	TRICONE	45
OGS	154	TT-BM3S	53
O-SET	103	TT-BSP	53
PANICBAR	176	TT-CL2	53
PANTHER	19	TT-DM3	53
PB-1	46	TT-FC2	54
PKSG2000-	201	TT-FO2	54
PKVWB2000-	201	TT-MM3S	54
PKVWB2000-EP-	201	TT-PIVOT	54
POWERSTONE-	48	TT-SAH	54
PS-GATECLOSERS	204	TT-SDM4	53
PS-LION-	205	TT-SM4S	53
PS-RHINO-	205	TURNITEC	52
PS-TIGER-	205	TWIST40	78
PUMA	140	UGC	159
PUSHBAR-H-	175	U-SAFE	198
PUSHBAR-L-	175	VENUS-ARM-G-	30
QUICK-FIX	167	VENUS-ARM-S-	30
RADIO	205	VERTICLOSE-2	22
RAIL-FIT	191	VERTICLOSE-2-WALL	23
RHINODRILL	164	VSA / VSF	150
RHINO	21	WALL-FIX	167

LOCK

L

CHASSIS

A/P **E/I** **M** **D** **F** **O**

PROFILE

K **R** **P**

ADJUSTABILITY

Y **Q** **Z**

+ 3/4" + 3/4" No adjustability

DIMENSIONS

1010 • 3/8" • Not for LE
3030 • 1-1/4"
4040 • 1-1/2"
5050 • 2" • Only for Y, Z-mechanism
6060 • 2-1/2"
8080 • 3"
100100 • 4"

LOCK BOX

U2L **U3L** **V2L** **X1L** **Y2L**

- U2L**: Industrial lock box, 2-1/8" cylinder, For Q-mechanism
- U3L**: Industrial lock box, Ø 7/8" KABA-KESO cylinder, For Q-mechanism
- V2L**: Code lock box, 2-1/8" cylinder, For M, L-mechanism
- X1L**: Code lock box, For F-mechanism
- Y2L**: Industrial lock box, Mortise cylinder, For Y-mechanism

LOCK BOX

F2L **H2L** **P1L** **D1L** **J5L**

- F2L**: Small ornamental lock box, 1-3/4" cylinder, For Y-mechanism
- H2L**: Large ornamental lock box, 2-1/8" cylinder, For Q-mechanism
- P1L**: Polyamide lock box, 1-3/4" cylinder, For Z-mechanism
- D1L**: Double cylinder lock box, 2-1/8" cylinder, Special Z-mechanism
- J5L**: Industrial USA lock box, Mortise cylinder, For Y-mechanism

COLORS

ZILV SILVER **6005** MOSS GREEN **6009** FIR GREEN **7016** ANTHRACITE **7040** WINDOW GREY **9005** JET BLACK **9010** PURE WHITE

CYLINDERS

VSZ Keyed to differ **GSZ** Keyed alike Z **GSY** Keyed alike Y **GSX** Keyed alike X **DSA** Dummy cylinder **VCA** Keyed to differ **GCA** Keyed alike A **GCB** Keyed alike B **GCC** Keyed alike C **GCD** Keyed alike D **T14** For 14 mm triangle keys **ZCZ** No cylinder keys

2-1/8" 1-3/4" 2-1/8" - 2-1/2"

HANDLES

M Aluminum **D** Aluminum **B** Black anodized aluminum **R** Aluminum round **J** Aluminum **I** Stainless steel **FA** Ornamental zamac - black **A-2** Anti-panic handle

HANDLES

P Polyamide **G** Polyamide **C** Aluminum club **PUSH** Aluminum Push pad **KR** Aluminum round kit pair **R2** Aluminum round half-handle **KIDLOC-2** Security knob **WSI** Security knob **PUSHBAR** Aluminum push bar

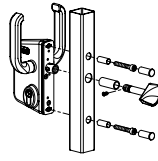
CODEBUILDER FOR SLIDING GATES LS - LL - LG

LOCK

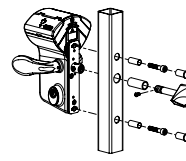
L

CHASSIS

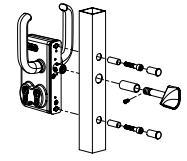
S



L



G

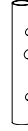


PROFILE

K

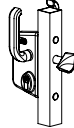


R



ADJUSTABILITY

Z



No adjustability

DIMENSIONS

4040

• 1-1/2"

5050

• 2"

6060

• 2-1/2"

8080

• 3"

100100

• 4"

120120

• 5"

LOCKBOX

U2L



• Industrial lockbox
• 2-1/8" cylinder

D1L



• Double cylinder lockbox
• 2-1/8" cylinder
• Special Z-mechanism

H2L



• Ornamental lockbox
• 2-1/8" cylinder

V2L



• Code lockbox
• 2-1/8" cylinder

COLORS

6005



MOSS GREEN

6009



FIR GREEN

9005



JET BLACK

9010



PURE WHITE

7016



ANTHRACITE

Z1LV



SILVER

CYLINDERS

VSZ

Keyed to differ

GSZ

Keyed alike Z

GSY

Keyed alike Y

GSX

Keyed alike X

DSA

Dummy cylinder

T14

For 11/20" triangle keys

ZCZ

No cylinder

2-1/8"

2-1/8" - 2-1/2"

HANDLES

S

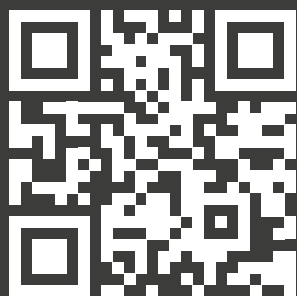


Aluminum reinforced

Z

No handles

DISCOVER MORE



LOCINOX USA LLC

460-464 Windy Point Drive
Glendale Heights, IL 60139



T. 877-LOCINOX
F. 708-579-0978



E. salesusa@locinox.com
www.locinoxusa.com



Locinox T - English USA



5 414768 120934