



**NATIONWIDE
INDUSTRIES®**

FENCE AND GATE HARDWARE

**LOCKEY
USA™**

GATE AND DOOR
SECURITY HARDWARE

**Grip
Rite®**

FASTENERS AND
PNEUMATICS

CONTACT US

We're here for you.



Phone: (813) 988-2628 • orders@nationwideindustries.com
nationwideindustries.com • info@nationwideindustries.com

NATIONWIDE
INDUSTRIES

SCAN FOR MORE INFO



Phone: (888) 395-0163
lockeyusa.com • info@lockeyusa.com

LOCKEY
USA

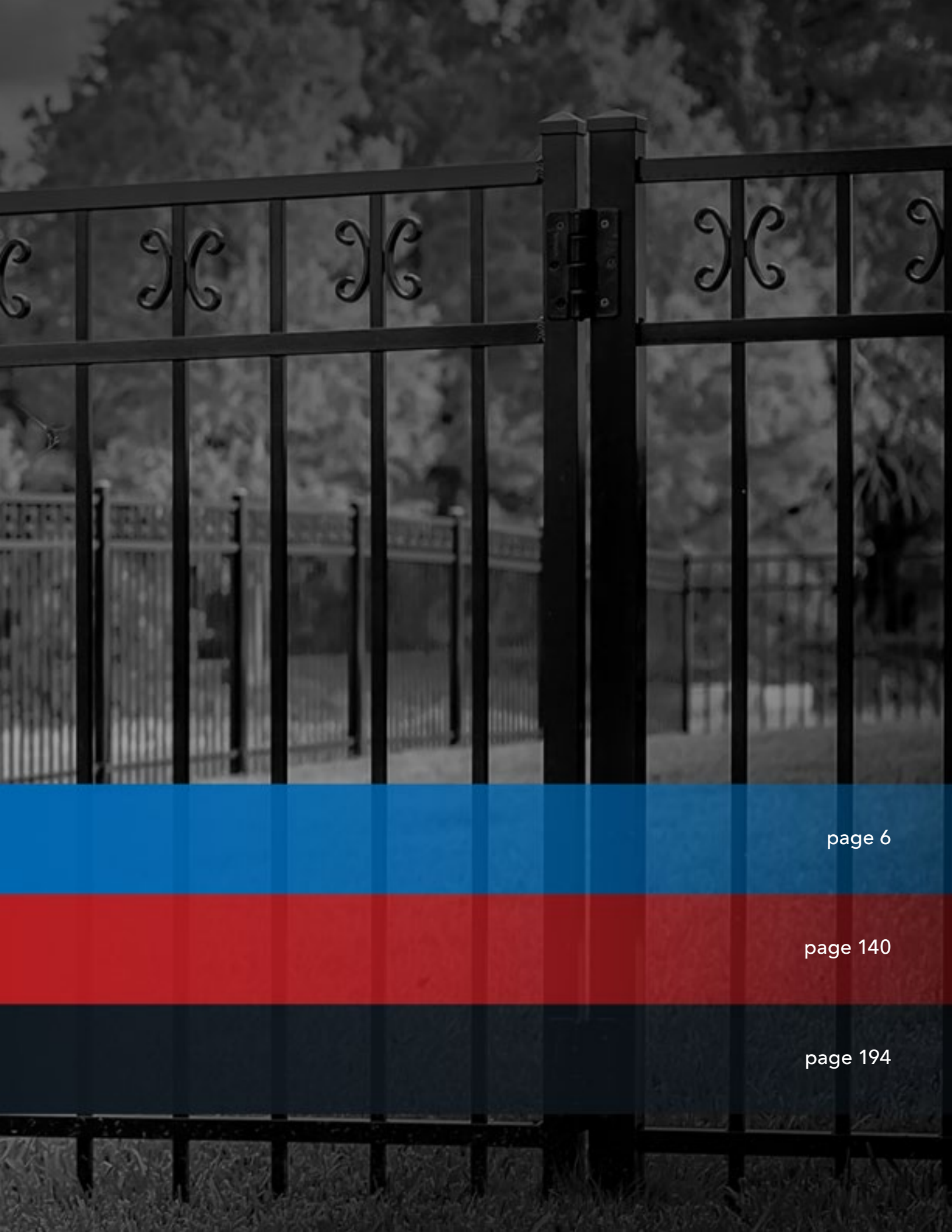
SCAN FOR MORE INFO



Phone: (813) 988-2628 • Fax (866) 988-3465
nationwideindustries.com • info@nationwideindustries.com

Grip
Rite

SCAN FOR MORE INFO



page 6

page 140

page 194



NATIONWIDE INDUSTRIES®

TABLE OF CONTENTS

VINYL

Innovative Products	16
Hinges	24
Latches	34
Drop Rods and Gate Braces	38
Bumpers, Handles and Wheels	40
Stiffeners, Springs and Rivets	42
Closers and Post Mounts	44
Post Caps and Accessories	45

METAL

Innovative Products	52
Hinges	60
Brackets and Latches	70
Post Caps	71
Brackets	74
End Caps and Floor Mounts	79
Finials	82
'O' Rings and Handles	84
Drop Rods, Wheels, Closers and Trolleys	86

WOOD

Innovative Products	90
Hinges	96
Screw Hooks	99
Rustic Series and Latches	100
Latches and Kits	102
Kits and Drop Rods	104
Caps and Gate Braces	106
Bumpers, Closers, Handles and Brackets	108
Accessories and Tools	110

CHAIN LINK

Innovative Products	114
Hinges	118
Latches	120
Collars, Forks and Rollers	122
Rollers, Covers, Receivers and Trolleys	123
Trolley Brackets, Guides and Assemblies	126
Drop Rods and Wheels	128
Brackets, Post Caps and Rail Ends	130
Clamps and Sleeves	132
Bands and Barb Arms	134
Bolts, Plugs and Accessories	136
Tools and Kits	138



LOCKEY **USA**

Quick Guide 144

MECHANICAL LOCKS

C Series	148
M Series	150
1000 Series	153
2000 Series	155
2900 Narrow Stile Series	160
3000 Series	164
SUMO™ GL2	167
Specialty Locks	168
Accessories	169

GATE & PANIC HARDWARE

Gate Boxes	172
Gate Closers	174
Gate Closer Accessories	177
Gate and Panic Hardware	178
Panic Shields	179
Panic Bars	180
Panic Trims	181
Trim Boxes	182
Panic Shield Kits	183
Panic Shield Comparison Chart	190

ELECTRONIC LOCKS

Electronic Locks	193
------------------	-----



Exterior Screws and Building Accessories	196
Pneumatics	198



***NATIONWIDE
INDUSTRIES***[®]

FENCE AND GATE HARDWARE

Vinyl | Metal | Wood | Chain Link

Photo courtesy of Pro Max Fence Systems





FENCE PRO'S #1 CHOICE

ABOUT NATIONWIDE INDUSTRIES

For more than 30 years, Nationwide Industries has designed and manufactured innovative hardware products and solutions that make our product easy to choose and install. With the largest in-stock selection of fence and gate hardware, Nationwide Industries offers more than 2,000 SKUs and has earned 35 patents on products designed for strength, performance, and proper operation. Our range of products include latches, hinges, locks, and other essential fence and gate components for every kind of fencing, such as aluminum, steel, metal, vinyl, wood, chain link, and pool and patio enclosures.

We are committed to delivering customers the highest quality materials available – from the simplest solutions to the most complex components. Nationwide Industries has a dedicated team of customer service professionals committed to selecting products and solutions to ensure ease of installation and fewer call backs. Products and solutions are easy to come by with industry experts just a phone call or email away.

Photo courtesy of Shoreline Vinyl Systems



Made from the highest quality materials available, including aluminum, steel, stainless steel, glass-filled nylon, and die-castings, Nationwide Industries brands are engineered and manufactured to outlast, outperform, and outshine any other brand of fence and gate hardware available on the market. Our products are guaranteed to last, easy to install, and select products come with our Million Cycle Warranty. Our rigorous testing ensures that our products can withstand repetitive use without costly repairs or replacements. More than 30 products and counting have met the testing requirements to feature our Million Cycle Warranty. They are guaranteed to work for one million cycles, or you will receive a complete product replacement for any loss of functionality.

Cornerstone® | Cornerstone® 2 | Keystone® | Keystone® 2 | Keystone® X | Keystone® X2 | Keystone® X-External
Keystone® Traverse | Ornamag® | AquaLatch® | Trident™ | Armortalch™ | Heavy Duty Ball Bearing Hinge

FIND THE RIGHT LATCH

COMPARE FEATURES & BENEFITS



KEYSTONE® 2



KEYSTONE® X2



KEYSTONE® PANIC LATCH™



KEYSTONE® TRAVERSE 200



KEYSTONE® TRAVERSE 250



KEYSTONE® TRAVERSE 400

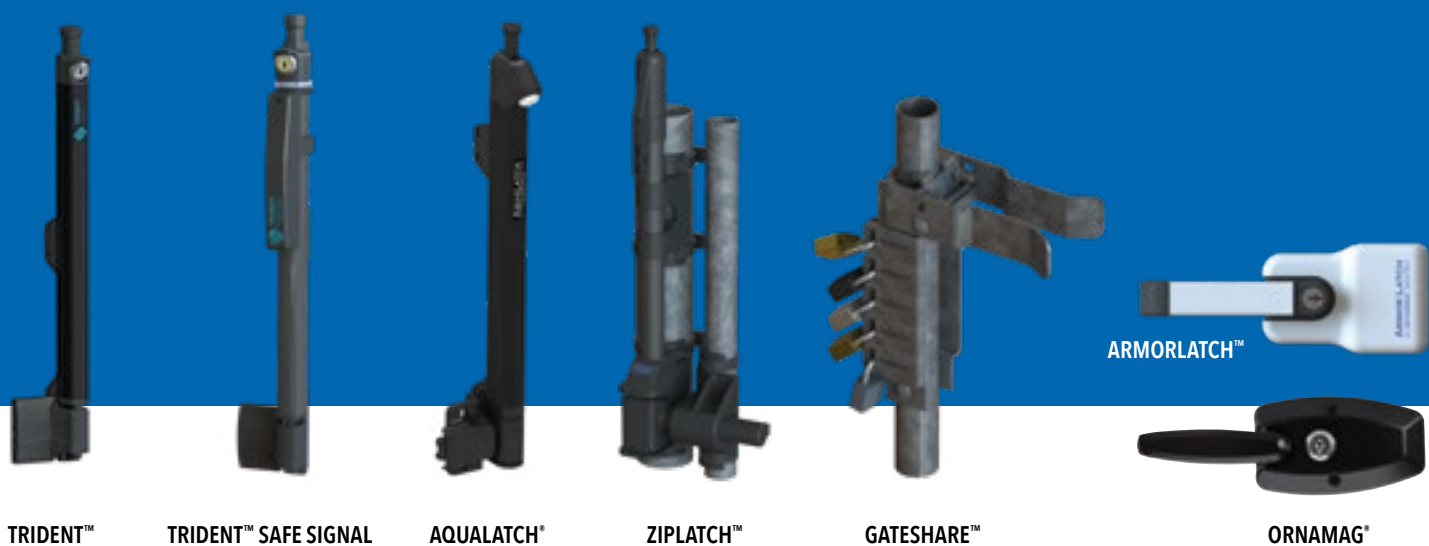


KEYSTONE® TRAVERSE 500

Product	Rekeyable	Post Thickness	Adjustability	Fits Right and Left Handed Gates	Locks/Unlocks from Both Sides
Keystone® One-Sided	X		Vertical	X	
Keystone® Two-Sided	X	2"-5"	Vertical	X	X
Keystone® 2 One-Sided	X		Vertical	X	
Keystone® 2 Two-Sided	X	1"-5"	Vertical	X	X
Keystone® X2 One-Sided			Vertical	X	
Keystone® X2 Two-Sided		2"-5"	Vertical	X	X
Trident™			Horizontal & Vertical	X	X
Trident™ Safe Signal			Horizontal & Vertical	X	X
AquaLatch®			Horizontal & Vertical	X	X
ZipLatch™			Horizontal & Vertical	X	X
ArmorLatch™	X	1-1/2" - 5"	Horizontal & Vertical	X	X
OrnaMag®		up to 2"	Vertical	X	
Keystone® Panic Latch™	X	2" to 5"	Horizontal	X	
Keystone® Traverse 500	X	5"	Vertical	X	X
Keystone® Traverse 400	X	4"	Vertical	X	X
Keystone® Traverse 250	X	2.5"	Vertical	X	X
Keystone® Traverse 200	X	2"	Vertical	X	X

*Chain Link Adapter Kit Required

**Recommended for Commercial Use Only



Product	Wood	Vinyl	Chain Link	Metal	Pool Safety Latch	Privacy Gates
Keystone® One-Sided	X	X		X		
Keystone® Two-Sided	X	X		X		X
Keystone® 2 One-Sided	X	X		X		
Keystone® 2 Two-Sided	X	X		X		X
Keystone® X2 One-Sided	X	X		X		
Keystone® X2 Two-Sided	X	X		X		X
Trident™	X	X	X*	X	X	
Trident™ Safe Signal	X	X	X*	X	X	
AquaLatch®	X	X	X*	X	X	
ZipLatch™			X		X	
ArmorLatch™	X	X		X		X
OrnaMag®				X		X
Keystone® Panic Latch™	X	X	X*	X	X**	X
Keystone® Traverse 500		X				X
Keystone® Traverse 400		X				X
Keystone® Traverse 250				X		
Keystone® Traverse 200				X		

FIND THE RIGHT HINGE

COMPARE FEATURES & BENEFITS



C2H095F

C2H350N

C2H350F

C2H200F

C2H300F

CH095F

Product	Part #	Horizontal & Vertical Adjustment	Gate Gap Min (in)	Gate Gap Max (in)	Total Adj (in)	Post Thickness Min (in)	Post Width Min (in)	Frame Thickness Min (in)	Frame Width Min* (in)
Cornerstone® 2	C2H200F	X	0.55	1.5	0.95	1.5	1.5	1.5	1.8
Cornerstone® 2	C2H300F	X	0.75	1.75	1	1.5	3.1	1.5	2.61
Cornerstone® 2	C2H350F	X	0.75	1.71	0.96	1.5	3	1.5	2.5
Cornerstone® 2	C2H100N		0.75	0.75		1	1	1	1
Cornerstone® 2	C2H120NB		0.75	0.75		1	1.25	1	1.25
Cornerstone® 2	C2H350N		0.75	0.75		1.5	3	1.5	2.5
Cornerstone® 2	C2H095F	X	0.5	1.46	0.96	1.5	1.75	1.5	1.5
Cornerstone®	CH200FR	X	0.46	1.66	1.2	Ø 1.375		Ø 1.875	
Cornerstone®	CH090N		0.75	0.75		0.88	0.88	0.88	0.88
Cornerstone®	CH100N		0.5	0.5		1	1	1	1
Cornerstone®	CH101V	VERT		1.25			1		1
Cornerstone®	CH102V	VERT	0.23	0.23			1		1
Nautilus	NTLS-L-AA; NTLS-R-AA	X	1.05	1.55	0.5		1.4		1.4
Nautilus	NTLS-L-AD; NTLS-R-AD	X	1.05	1.55	0.5		1.4		1.4
Heavy-Duty Self-Closing Ball Bearing Hinge	HDBYSC-SWM-SWM	HORZ	2.56	3.04	0.48	1.5		1.5	

*Per pair **Based on a 6' H X 4' W gate



C2H100N



C2H120



CH100/300N



HDBYSC



NAUTILUS

Product	Part #	Rating** (lbs)	Point Load* (lbs)	Self-Closing	Chain Link	Metal	Vinyl	Wood	Turn-N-Go Tensioning	Safe, Anti-Climb Design	Adjustable Closing Speeds
Cornerstone® 2	C2H200F	75	1500	Yes		X	X	X	X	X	X
Cornerstone® 2	C2H300F	75	2000	Yes			X	X	X	X	X
Cornerstone® 2	C2H350F	135		Yes			X	X	X		X
Cornerstone® 2	C2H100N	75	1500	Yes		X			X	X	X
Cornerstone® 2	C2H120NB	135	1700	Yes		X			X		X
Cornerstone® 2	C2H350N	135		Yes			X	X	X		X
Cornerstone® 2	C2H095F	60		Yes		X			X		X
Cornerstone®	CH200FR	75		Yes	X						X
Cornerstone®	CH090N	60	900	Yes		X					X
Cornerstone®	CH100N	75	1000	Yes		X					X
Cornerstone®	CH101V	75		Yes		X					X
Cornerstone®	CH102V	75		Yes		X					X
Nautilus	NTLS-L-AA; NTLS-R-AA	125		Yes		X					X
Nautilus	NTLS-L-AD; NTLS-R-AD	75		Yes		X					X
Heavy-Duty Self-Closing Ball Bearing Hinge	HDBYSC-SWM-SWM			Yes	X	X					X

VINYL FENCE & GATE HARDWARE

TABLE OF CONTENTS

Innovative Products	16
Hinges	24
Latches	34
Drop Rods and Gate Braces	38
Bumpers, Handles and Wheels	40
Stiffeners, Springs and Rivets	42
Closers and Post Mounts	44
Post Caps and Accessories	45

NATIONWIDE
INDUSTRIES[®]





PATENTED



TRIDENT™
SAFE SIGNAL™
BY NATIONWIDE INDUSTRIES®

NEW! TRIDENT™ SAFE SIGNAL

- ▶ Safe-Notch™ engages and remains closed upon contact
- ▶ Alarms if gate is left unlatched for more than 15 seconds
- ▶ Flashing LED lights provide visual warning of unlatched gate
- ▶ Easy Installation without the need of special tools
- ▶ Fits all square post gate applications



CASE QTY	WEIGHT
20	47.4 lbs

TRIDENTSS20BK Black 20"

Adapter available for use with round posts. Part No. NW6149-BK



20"

PATENTED

TRIDENT™ MAGNETIC GATE LATCH

- ▶ Safe-Notch™ engages and remains closed upon contact
- ▶ Trident™ strong magnetic closing power, easy installation and guaranteed to last!
- ▶ Sophisticated, modern design
- ▶ Rust-resistant components
- ▶ Meets international pool codes, please check local pool codes prior to use



CASE QTY	WEIGHT
20	26 lbs

TRIDENT20-BK Black 20"

TRIDENT20-WH White 20"

TRIDENT10-BK Black 10"

TRIDENT10-WH White 10"

Adapter available for use with round posts. Part No. NW6149-BK

i Available in Keyed Alike (-KA)



10"

10"

20"

20"

PATENTED

AQUALATCH® MAGNETIC GATE LATCH

- ▶ SafeAlert™ red alert area appears when disengaged
- ▶ Heavy-duty construction
- ▶ Beautiful, modern design
- ▶ Multi-directional leveling for misaligned gates
- ▶ Excellent horizontal and vertical adjustability
- ▶ Fits right or left handed gates
- ▶ Industry-BEST Warranty



CASE QTY	WEIGHT
20	24 lbs

AQUA10-BK Black AquaLatch® w/Std Keeper

AQUA10-WH White AquaLatch® w/Std Keeper

AQUA10H-BK Black AquaLatch® w/Handle/Keeper

AQUA10H-WH White AquaLatch® w/Handle/Keeper

AQUA20-BK Black AquaLatch® w/Std Keeper

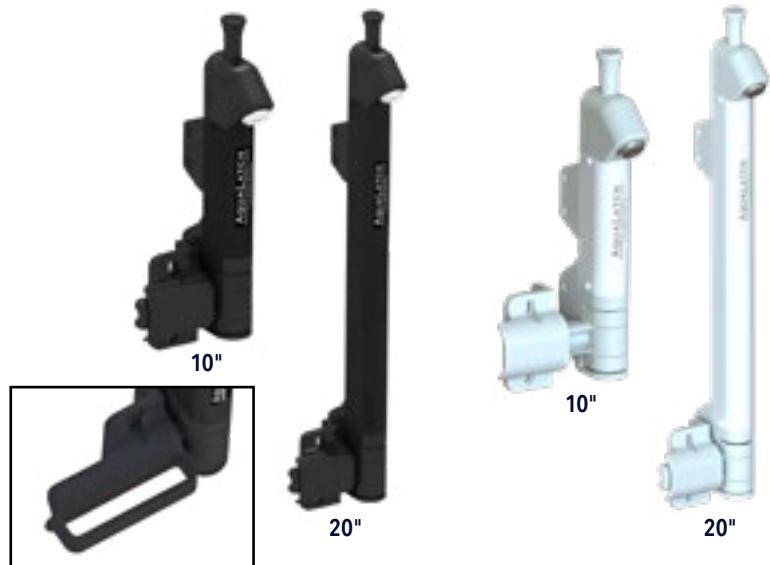
AQUA20-WH White AquaLatch® w/Std Keeper

AQUA20H-BK Black AquaLatch® w/Handle/Keeper

AQUA20H-WH White AquaLatch® w/Handle/Keeper

Adapter available for use with round posts. Part No. NW6149-BK

i Available in Keyed Alike (-KA)



10"

10"

20"

20"

KEYSTONE® SERIES

PATENTED

KEYSTONE® TRAVERSE 200

- ▶ Fits 2" Fence Post
- ▶ Reversible for mounting/install
- ▶ No drilling holes through post
- ▶ Locks & unlocks from both sides
- ▶ Uses a 6-pin key cylinder



CASE QTY	WEIGHT
20	14 lbs

KLTRV-200-4D-BK TRAVERSE LATCH, Black,
2" Reversible 6-pin W/SD SCREWS
KLTRV-200-4D-BK-KA TRAVERSE LATCH, Black,
2" Reversible 6-pin W/SD SCREWS-KA



PATENTED

KEYSTONE® TRAVERSE 250

- ▶ Fits 2.5" Fence Post
- ▶ Reversible for mounting/install
- ▶ No drilling holes through post
- ▶ Locks & unlocks from both sides
- ▶ Uses a 6-pin key cylinder



CASE QTY	WEIGHT
20	14 lbs

KLTRV-250-4D-BK Reversible 6-pin w/ SD Screws, Black
KLTRV-250-4D-BK-KA Reversible 6-pin w/ SD Screws, Black



PATENTED

KEYSTONE® TRAVERSE 400

- ▶ Fits 4" Fence Posts
- ▶ Reversible for mounting/install
- ▶ No drilling holes through post
- ▶ Lock & unlocks from both sides
- ▶ Uses a 6-pin key cylinder



CASE QTY	WEIGHT
20	30 lbs

KLTRV-400-4D-BK Reversible 6-pin w/ SD Screws, Black
KLTRV-400-4D-BK-KA Reversible 6-pin w/ ZD Screws, Black



PATENTED

KEYSTONE® TRAVERSE 500

- ▶ Fits 5" Fence Posts
- ▶ Reversible for mounting/install
- ▶ No drilling holes through post
- ▶ Lock & unlocks from both sides
- ▶ Uses a 6-pin key cylinder



CASE QTY	WEIGHT
20	30 lbs

KLTRV-500-4D-BK Reversible 6-pin w/ SD Screws, Black
KLTRV-500-4D-BK-KA Reversible 6-pin w/ SD Screws, Black



VINYL

METAL

WOOD

CHAIN LINK

PATENTED

KEYSTONE® 2 SERIES

- KLADV2-P2-4D-BK Black (Nylon)
- KLADV2-P2-4D-BK-KA Black (Nylon)
- KLADV2-P2-4D-WH-KA White (Nylon)

- ▶ **NEW & IMPROVED with 6-pin cylinder**
- ▶ Locking feature accessible from both sides
- ▶ Same specifications as KLADV-P2 below



CASE QTY	WEIGHT
20	27 lbs

- KLADV2-P1-4D-BK Black (Nylon)
- KLADV2-P1-4D-BK-KA Black (Nylon)

- ▶ **NEW & IMPROVED with 6-pin cylinder**



CASE QTY	WEIGHT
20	16 lbs

- ▶ Reversible for right-hand or left-hand use
- ▶ Glass-filled nylon housing
- ▶ Thumb release button on one side, gravity latch lever on opposite side
- ▶ Stainless steel screws included

i All Keystone® 2-Sided Latches are packed with a durable Plastic Marking Template for installation.

i Available in Keyed Alike (-KA)



PATENTED

KEYSTONE® SERIES

- KLADV-M2-BK Black (Zinc diecast)
- KLADV-M2-WH White (Zinc diecast)

- ▶ Reversible for right-hand or left-hand use
- ▶ Glass-filled nylon housing
- ▶ Thumb release button on one side, gravity latch lever on opposite side
- ▶ Stainless steel screws included



CASE QTY	WEIGHT
20	48 lbs

- KLADV-M1-BK Black (Zinc diecast)
- KLADV-M1-WH White (Zinc diecast)



CASE QTY	WEIGHT
20	31 lbs



SPINDLE ADAPTOR

KLADV-SpinAdapt
Extension Kit allows Two-Sided Keystone® to be used on posts over 5" wide

PATENTED

KEYSTONE® X2 SAME KLX LATCH, WITH SLIMLINE DESIGN

KLX2-P2-4D-BK Black
KLX2-P2-4D-WH White

- ▶ Slimline design
- ▶ No drilling through the gate
- ▶ Quick, easy installation



CASE QTY	WEIGHT
20	20 lbs

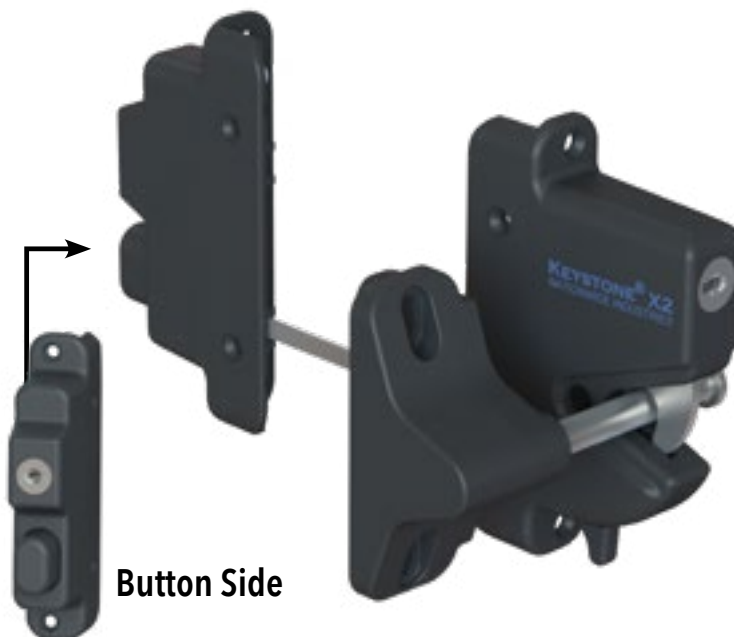
KLX2-P1-4D-BK Black
KLX2-P1-4D-WH White

- ▶ Features Latch only
- ▶ No drilling through the gate
- ▶ Quick, easy installation



CASE QTY	WEIGHT
20	13 lbs

Available in Keyed Alike (-KA)



Button Side

PATENTED

KEYSTONE® PANICLATCH™

KPL-P2-BK Black

- ▶ Self-Locking anti-tamper design
- ▶ Easy exit with large button
- ▶ Secure Entry with 6-pin key

CASE QTY	WEIGHT
6	20 lbs



Easy push button egress
with no need for a panic bar

PATENTED

ARMORLATCH®

- ▶ Locks & unlocks from either side
- ▶ Add aluminum cover plates for metal look and color
- ▶ Re-keyable to home locks
- ▶ Reversible for left or right hand use
- ▶ Easy installation including horizontal & vertical adjustability
- ▶ Works with double drive gates
- ▶ Fits gate frames from 1-1/2" to 5" deep



CASE QTY	WEIGHT
10	19 lbs

NW6244-SD-FB Flat Black w/self-drilling stainless steel screws
NW6244CV-MI Cover Plates Unpainted
NW6244CV-WH Cover Plates White
NW6244CV-BZ Cover Plates Bronze

*Call customer service to check availability of cover plates.



CORNERSTONE® 2 SERIES

PATENTED

CORNERSTONE® 2 NON ADJUSTABLE HINGE

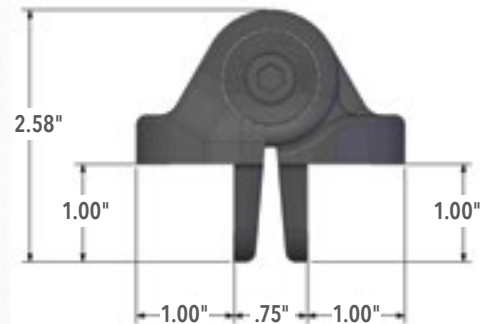
- ▶ Post and Gate flanges: 1"(W) x 1"(D)
- ▶ Heavy-duty design produced with durable glass-filled nylon
- ▶ 1/4" Allen wrench included for easy Turn-N-Go™ tension adjustment
- ▶ Safe, anti-climb design



CASE QTY	WEIGHT
20 pair	33 lbs

C2H100N-4D-BK Black w/stainless steel self-drilling screws included
 C2H100N-4D-BK Black w/zinc plated steel self-drilling screws included

i Point-load tested over 1,500 lbs per pair



PATENTED

CORNERSTONE® 2 HEAVY-DUTY SELF-CLOSING ON GATES UP TO 135 LB

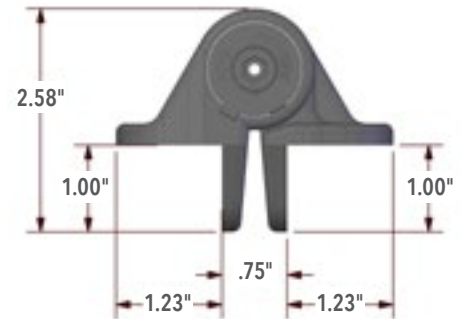
- ▶ Fits both right and left-hand applications
- ▶ C2H121 Includes Alignment tab on Gate Post side
- ▶ 1/4" Allen wrench included for easy Turn-N-Go™ tension adjustment



CASE QTY	WEIGHT
20 pair	29 lbs

C2H120NB-4D-BK Black w/stainless steel screws

i Point-load tested over 1,700 lbs per pair



PATENTED

CORNERSTONE® 2 SQUARE POST FULLY ADJUSTABLE HINGE

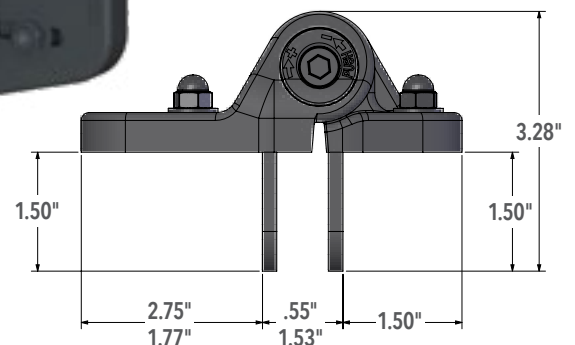
- ▶ Horizontally adjustable to 0.98"
- ▶ Vertically adjustable to 0.875"
- ▶ Fits both right and left-hand applications
- ▶ 1/4" Allen wrench included for easy Turn-N-Go™ tension adjustment
- ▶ Safe, anti-climb design



CASE QTY	WEIGHT
20 pair	46 lbs

C2H200F-4D-BK Black w/stainless steel self-drilling screws included
 C2H200F-4D-WH White w/stainless steel self-drilling screws included

i Point-load tested over 1,500 lbs per pair



CORNERSTONE® 2 SERIES

PATENTED

CORNERSTONE® 2 FULLY ADJUSTABLE HINGE

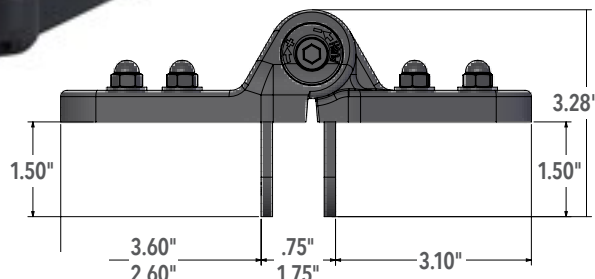
- ▶ Horizontally adjustable up to 1.0"
- ▶ Vertically adjustable up to 1.0"
- ▶ Fits both right and left-hand applications
- ▶ 1/4" Allen wrench included for easy Turn-N-Go™ tension adjustment
- ▶ Safe, anti-climb design



CASE QTY	WEIGHT
10 pair	30 lbs

C2H300F-4D-BK Black w/stainless steel self-drilling screws

Point-load tested over 2,000 lbs per pair



PATENTED

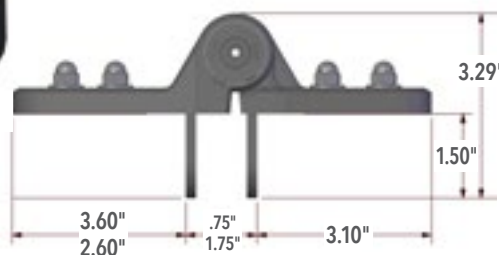
CORNERSTONE® 2 FULLY ADJUSTABLE HINGE

- ▶ Fully adjustable self-closing hinge
- ▶ Horizontally and vertically adjustable up to 0.96"



CASE QTY	WEIGHT
10 pair	29 lbs

C2H350F-4D-BK Black w/stainless steel screws



PATENTED

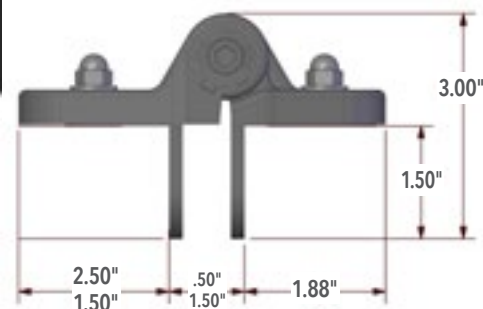
CORNERSTONE® 2 FULLY ADJUSTABLE HINGE

- ▶ Horizontally adjustable up to 1"
- ▶ Vertically adjustable up to 0.75"
- ▶ Fits both right and left-hand applications
- ▶ 1/4" Allen wrench included for easy Turn-N-Go™ tension adjustment



CASE QTY	WEIGHT
20 pair	26 lbs

C2H095F-4D-BK Black with 400 series stainless steel self-drilling screws



PATENTED

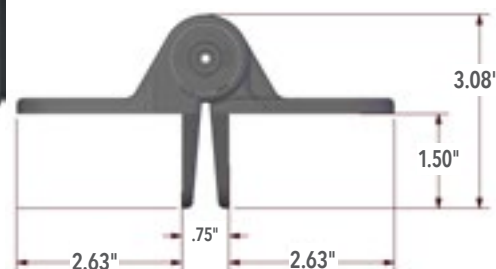
CORNERSTONE® 2 HEAVY-DUTY NON-ADJUSTABLE HINGE

- ▶ Self-closing hinge
- ▶ Fits both right and left-hand applications
- ▶ 1/4" Allen wrench included for easy Turn-N-Go™ tension adjustment



CASE QTY	WEIGHT
10 pair	29 lbs

C2H350N-SD-BK Black with self-drilling screws



VINYL

METAL

WOOD

CHAIN LINK

CORNERSTONE® SERIES

CORNERSTONE® FULLY ADJUSTABLE HINGES

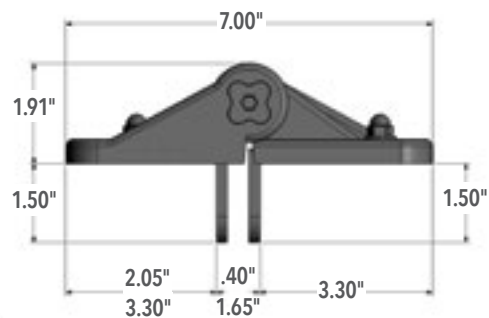
- ▶ Produced with durable glass-filled nylon
- ▶ Nationwide's V-notch™ styling
- ▶ 1/4" Allen wrench included for tension adjustment



CASE QTY	WEIGHT
10 pair	29 lbs

CH350-SD-BK Black w/stainless steel screws
 CH350-SD-WH White w/stainless steel screws

i SUPER heavy-duty closing power rated at 150 lbs per pair



CORNERSTONE® NARROW FIXED POSITION HINGES

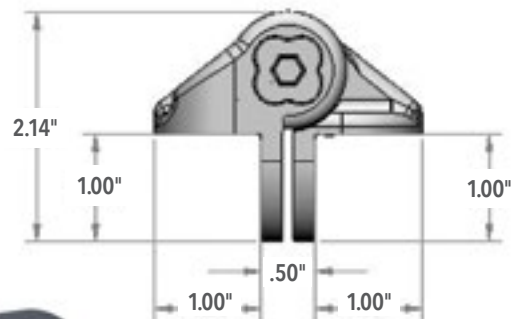
- ▶ Post and Gate flanges: 1"(W) x 1"(D)
- ▶ Produced with durable glass-filled nylon
- ▶ 1/4" Allen wrench included for tension adjustment



CASE QTY	WEIGHT
20 pair	19 lbs

CH100N-4D-BK Black with steel self-drilling screws included
 CH100N-SD-WH White with steel self-drilling screws included

i Point-load tested over 1,000 lbs per pair



PATENTED

KEYSTONE® TRAVERSE GATE LATCH

NOW AVAILABLE IN FOUR SIZES



KLTRV-200
Fits 2" Posts
Ideal for Ornamental Gates



KLTRV-250
Fits 2.5" Posts
Ideal for Ornamental Gates







KLTRV-400
Fits 4" Posts
Ideal for Vinyl Gates



KLTRV-500
Fits 5" Posts
Ideal for Vinyl Gates

ULTIMATE VERSATILITY FROM EVERY ANGLE

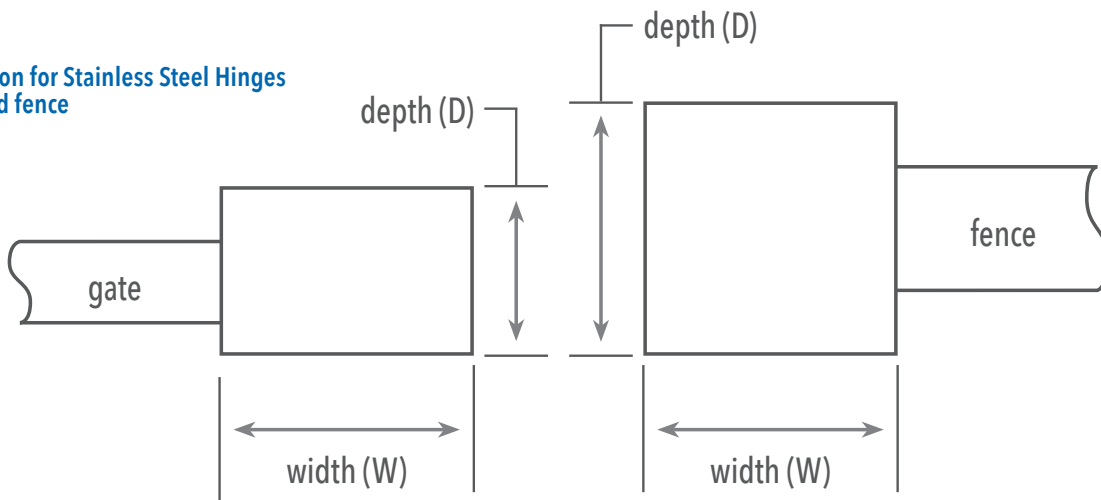
The first of its kind, the **KEYSTONE® TRAVERSE** gate latch line of products combines the high-end performance of latches that lock and unlock from either side with fast, 4-step installation. Featuring a patented, 6-pin key cylinder design and easy, reversible mounting, the **KEYSTONE® TRAVERSE** gate latches are raising hardware standards from every angle.

-  EASY INSTALLATION
-  LOCK AND UNLOCK FROM BOTH SIDES
-  REVERSIBLE FOR MOUNTING & INSTALLATION
-  HEAVY DUTY CATCH & STRIKE BAR

HORIZONTALLY ADJUSTABLE STAINLESS STEEL SELF-CLOSING HINGES - SCP SERIES

More Durable Design, Stronger Spring and Larger Holding Pins

Width and Depth Orientation for Stainless Steel Hinges
Downward view of gate and fence



For reference: A "standard" size flange is generally 3" to 3-1/2" deep (D), while a "narrow" size flange is generally 1-1/4" to 1-1/2" deep (D)



- ▶ Closes better
- ▶ Horizontally adjustable
- ▶ Lasts longer
- ▶ Easier to adjust

Easy Tension Adjustment

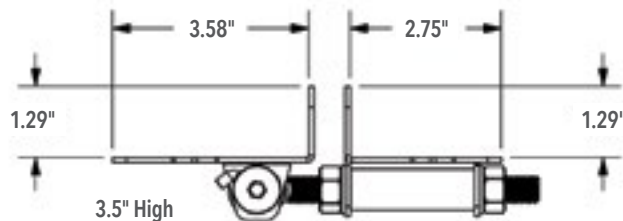
Just turn with Allen wrench and insert pin. A process that is quick and avoids stripping. Allen wrench included.

NARROW TO NARROW

- ▶ Both flanges: 3.5"(H) x 3.5"(W) x 1.25"(D)
- ▶ Horizontally adjustable
- ▶ Enclosed spring with tension adjustment

CASE QTY	WEIGHT
12	37 lbs

- NW171NASC-SSB Black w/stainless steel screws
- NW171NASC-SSBD Black w/stainless steel self-drilling screws
- NW171NASC-SSW White w/stainless steel screws
- NW171NASC-SSWD White w/stainless steel self-drilling screws
- NW171NASC-SSRC Copper w/stainless steel screws



NARROW TO NARROW "U-NOTCH"

- ▶ Both flanges 3.5"(H) x 3.5"(W) x 1.25"(D)
- ▶ U-Notch Style hinges
- ▶ Horizontally adjustable
- ▶ Enclosed spring with tension adjustment

CASE QTY	WEIGHT
12 pair	33 lbs

WI-6000-MA-SS Black w/stainless steel self-drilling screws
WI-6000-MA-SSW White w/stainless steel self-drilling screws



NARROW TO NARROW

NW171SCP-SSB Black w/stainless steel screws
NW171SCP-SSBD Black w/stainless steel self-drilling screws
NW171SCP-SSW White w/stainless steel screws
NW171SCP-SSWD White w/stainless steel self-drilling screws

CASE QTY	WEIGHT
12 pair	35 lbs

 Strong Closing Power

V-Notch™
HINGES



STANDARD TO NARROW

- ▶ Post flange: 3.5"(H) x 3.5"(W) x 3.5"(D)
- ▶ Gate flange: 3.5"(H) x 2.75"(W) x 1.25"(D)
- ▶ Horizontally adjustable
- ▶ Enclosed spring with tension adjustment

CASE QTY	WEIGHT
12 pair	42 lbs

NW171NASCA-SSB Black w/stainless steel screws
NW171NASCA-SSBD Black w/stainless steel self-drilling screws
NW171NASCA-SSW White w/stainless steel screws
NW171NASCA-SSWD White w/stainless steel self-drilling screws



V-Notch™
HINGES

STANDARD TO NARROW "U-NOTCH"

- ▶ Post flange 3.5"(H) x 3.5"(W) x 3.5"(D)
- ▶ Gate flange 3.5"(H) x 3.5"(W) x 1.25"(D)
- ▶ U-Notch Style hinges
- ▶ Horizontally adjustable
- ▶ Enclosed spring with tension adjustment

CASE QTY	WEIGHT
12 pair	37 lbs

WI-6010-MA-PH Black w/stainless steel screws
 WI-6010-MA-SS Black w/stainless steel self-drilling screws
 WI-6010-MA-W-PH White w/stainless steel screws
 WI-6010-MA-SSW White w/stainless steel self-drilling screws



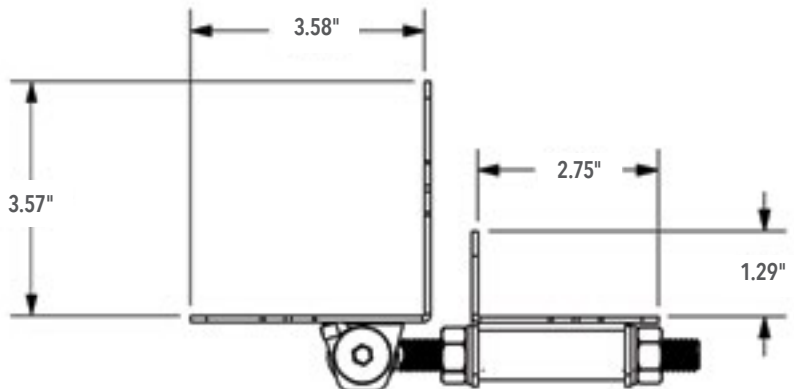
STANDARD TO NARROW

NW171SCP2-SSB Black w/stainless steel screws
 NW171SCP2-SSBD Black w/stainless steel self-drilling screws
 NW171SCP2-SSW White w/stainless steel screws
 NW171SCP2-SSWD White w/stainless steel self-drilling screws

CASE QTY	WEIGHT
12 pair	36 lbs

Strong Closing Power

V-Notch™
HINGES

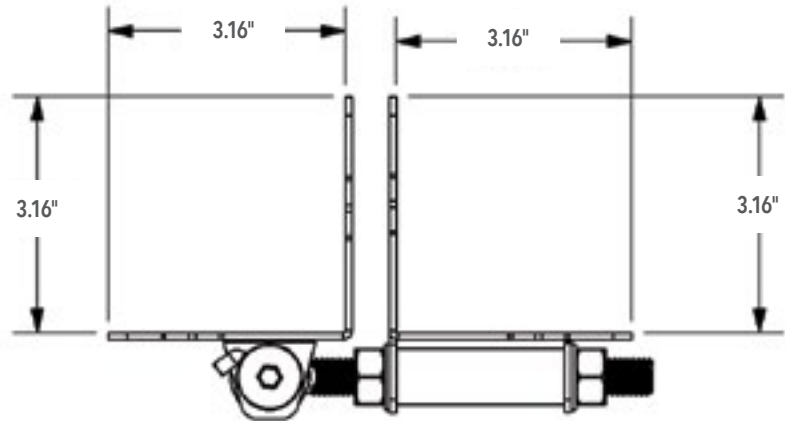


STANDARD TO STANDARD

NW171SCP3-SSB Black w/stainless steel screws
 NW171SCP3-SSBD Black w/stainless steel self-drilling screws
 NW171SCP3-SSW White w/stainless steel screws
 NW171SCP3-SSWD White w/stainless steel self-drilling screws
 NW171SCP3-SSRC Copper w/stainless steel screws

CASE QTY	WEIGHT
12 pair	42 lbs

V-Notch™
 HINGES



STANDARD TO STANDARD "U-NOTCH"

- ▶ Post flange 3.5"(H) x 3.5"(W) x 3.5"(D)
- ▶ Gate flange 3.5"(H) x 3.5"(W) x 3.5"(D)
- ▶ U-Notch Style hinges
- ▶ Horizontally adjustable
- ▶ Enclosed spring with tension adjustment

CASE QTY	WEIGHT
12 pair	37 lbs

WI-6040-MA-PH Black w/stainless steel screws
 WI-6040-MA-SS Black w/stainless steel self-drilling screws
 WI-6040-MA-W-PH White w/stainless steel screws
 WI-6040-MA-SSW White w/stainless steel self-drilling screws



VINYL

METAL

WOOD

CHAIN LINK

STAINLESS STEEL GATE LATCHES

LOCKABLE BOTH SIDES

- ▶ Strike flange: 1.75"(W) x 3.5"(H) x 1.25"(D)
- ▶ Latch flange: 2.5"(W) x 5.5"(H) x 1.5"(D)
- ▶ Allows entry from both sides
- ▶ Mounts around corner of post and gate frame
- ▶ Pad-lockable on both sides - up to 5" post
- ▶ .63" Strike Bar
- ▶ Return spring for reversible mounting
- ▶ Stainless steel screws included

CASE QTY	WEIGHT
20	36 lbs

NW38308NUA-SSB Black
 NW38308NUA-SSW White
 NW38308NUA-SSRC Copper
 NW38308NUA-SSBD

 Special Finish Available

Brushed Copper Finish may be ordered in less than box quantity.

RESIDENTIAL PADDLE LATCH

WI-RPL-SS Black

WI-RPL-SS-W White

- ▶ Allows entry from both sides
- ▶ U style Notch on the front plate
- ▶ Pad-lockable on both sides - up to 5" post
- ▶ Return spring for reversible mounting
- ▶ Stainless steel self-drilling screws included

CASE QTY	WEIGHT
25	40 lbs

WI-SPLDL Black

WI-SPLDL-W White

- ▶ Allows entry from both sides
- ▶ U style Notch on the front plate
- ▶ Pad-lockable on both sides - up to 5" post
- ▶ Return spring for reversible mounting
- ▶ Stainless steel self-drilling screws included

CASE QTY	WEIGHT
20	49 lbs

WI-SPLDL-PH-SK

- ▶ Same as above but with Slotted keeper
- ▶ Stainless steel screws included

CASE QTY	WEIGHT
20	44 lbs

LOCKABLE ONE SIDE

NW38308NU-SSB Black w/stainless steel screws

NW38308NU-SSBD (WI-SPLL) Black w/stainless steel self-drilling screws

NW38308NU-SSW (WI-SPLL-W-PH) White w/stainless steel screws

NW38308NU-SSWD (WI-SPLL-W) White w/stainless steel self-drilling screws

- ▶ Same as NW38308NUA above but Pad-lockable on one side only

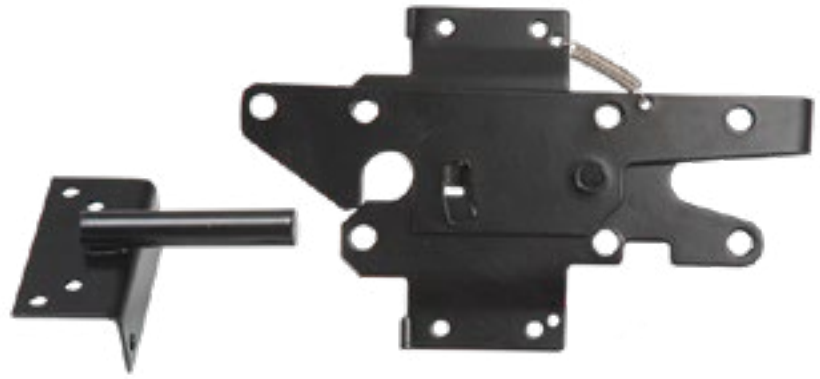
CASE QTY	WEIGHT
20	35 lbs

WI-SPLL-PH-SK Black w/stainless steel screws

WI-SPLL-PH-W-SK White w/stainless steel screws

- ▶ Slotted Keeper
- ▶ Pad-lockable on one side only

CASE QTY	WEIGHT
20	49 lbs



SV38308-BK Black

SV38308-WH White

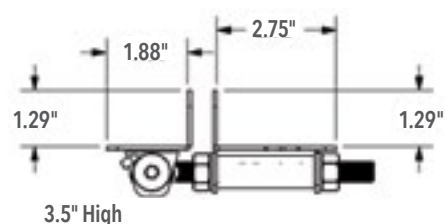
- ▶ Same as NW38308NU above but with Zinc plated steel with Black finish

CASE QTY	WEIGHT
20	34 lbs

MIXED PROFILE DESIGN

NW171SCP4-SSB Black w/stainless steel screws
 NW171SCP4-SSBD Black w/stainless steel self-drilling screws
 NW171SCP4-SSW White w/stainless steel screws
 NW171SCP4-SSWD White w/stainless steel self-drilling screws

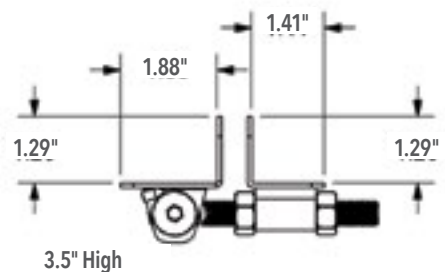
CASE QTY	WEIGHT
12 pair	26 lbs



SMALL PROFILE DESIGN

NW171SCP5-SSB Black w/stainless steel screws
 NW171SCP5-SSBD Black w/stainless steel self-drilling screws
 NW171SCP5-SSW White w/stainless steel screws
 NW171SCP5-SSWD White w/stainless steel self-drilling screws

CASE QTY	WEIGHT
12 pair	29 lbs



WI-62SC-SS Black w/stainless steel self-drilling screws

CASE QTY	WEIGHT
30 pair	17 lbs



ADJUSTABLE ALUMINUM/ZINC SELF-CLOSING HINGES

FULLY ADJUSTABLE HINGE

- ▶ Post flange: 5"(H) x 3.88"(W) x 1.62"(D)
- ▶ Gate flange: 5"(H) x 3"(W) x 1.62"(D)
- ▶ Aluminum leaf with Zinc die cast back plate
- ▶ Enclosed spring with tension adjustment
- ▶ Stainless steel screws included
- ▶ Back plates allow horizontal and vertical adjustability

CASE QTY	WEIGHT
10 pair	39 lbs

NW093V-26 Black
 NW093V-56 White



ADJUSTABLE STAINLESS STEEL/NYLON SELF-CLOSING HINGES

NARROW TO NARROW

- ▶ Both flanges: 3"(H) x 3"(W) x 1.5"(D)
- ▶ Horizontally adjustable
- ▶ Stainless steel screws included

CASE QTY	WEIGHT
20 pair	27 lbs

HBH1SC-SSB Black*
 HBH1SC-SSW White

Special Finish Available



V-Notch™
 HINGES

HORIZONTALLY ADJUSTABLE STAINLESS STEEL SELF-CLOSING HINGES



STANDARD TO STANDARD

- ▶ Both flanges: 3"(H) x 3"(W) x 3"(D)
- ▶ Horizontally adjustable
- ▶ Stainless steel screws included

CASE QTY	WEIGHT
12 pair	25 lbs

NW38952SCR-BCP Black
NW38952SCR-WCP White

STANDARD TO NARROW

- ▶ Post flange: 3"(H) x 3"(W) x 3"(D)
- ▶ Gate flange: 3"(H) x 3"(W) x 1.25"(D)
- ▶ Horizontally adjustable
- ▶ Stainless steel screws included

CASE QTY	WEIGHT
12 pair	23 lbs

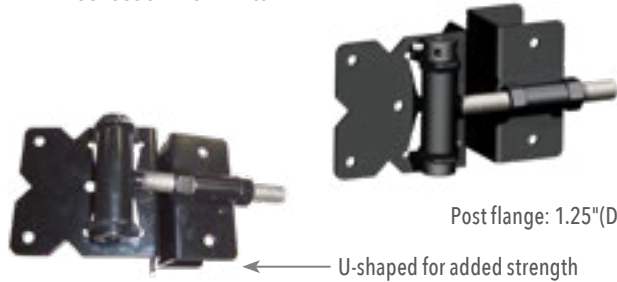
NW38953SCR-BCP Black
NW38953SCR-WCP White

WRAP AROUND

- ▶ Enclosed spring with tension adjustment
- ▶ 8 case minimum order

CASE QTY	WEIGHT
12 pair	34 lbs

NW6082SCP-SSB Black - for 1-3/4" gate frames
NW6082ACP-SSB Black - for 1-1/2" gate frames
NW6082BSCP-SSB Black - for 2" gate frames
NW6082ACP-SSW White - for 1-1/2" gate frames*



Post flange: 1.25"(D)

U-shaped for added strength

WRAP AROUND "U-NOTCH"

- ▶ U-Notch style wrap around hinges

CASE QTY	WEIGHT
12 pair	37 lbs

WI-6022-MA-SS Black - for 2" gate frames
WI-6022-MA-SSW White - for 2" gate frames

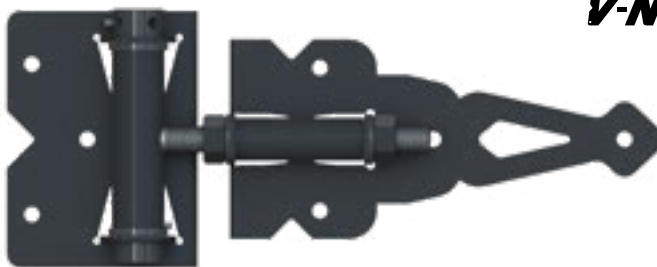


"T" HINGE

- ▶ Heavy-duty spring
- ▶ Stainless steel, powder coated
- ▶ Easy tension adjustment
- ▶ Allen wrench included
- ▶ Larger easy to hold pin

CASE QTY	WEIGHT
12 pair	40 lbs

NWSS-HDT-SC-BK Black w/stainless steel screws
 NWSS-HDT-SC-BKD Black w/stainless steel self-drilling screws



V-Notch
HINGES

HEAVY-DUTY SELF-CLOSING HINGES

- ▶ Stainless steel, powder coated
- ▶ Easy tension adjustment
- ▶ Allen wrench included
- ▶ Larger easy to hold pin

CASE QTY	WEIGHT
12 pair	40 lbs

NWSS-HD-SC-BK Black w/stainless steel screws
 NWSS-HD-SC-BKD Black w/stainless steel self-drilling screws

 Large and Heavy-duty



V-Notch
HINGES

ADJUSTABLE STAINLESS STEEL NON SELF-CLOSING HINGES

STANDARD TO NARROW

- ▶ Post flange: 4"(H) x 4"(W) x 4"(D)
- ▶ Gate flange: 4"(H) x 4"(W) x 1.5"(D)
- ▶ Horizontally adjustable
- ▶ Stainless steel screws included

CASE QTY	WEIGHT
12 pair	49 lbs

NW172-SSB Black



V-Notch
HINGES

STANDARD TO STANDARD

- ▶ Both flanges: 3.5"(H) x 3.25"(W) x 3.25"(D)
- ▶ Minimum gate frame or post size is 3.5"(W) x 3.5"(D)
- ▶ Horizontally adjustable

CASE QTY	WEIGHT
12 pair	43 lbs

NW38950NSSB (WI-SS-AGH-E-PH) Black with stainless steel screws

NW38950NSSBD (WI-SS-AGH-E) Black with stainless steel self-drilling screws

NW38950NSSW (WI-SS-AGH-EW-PH) White with stainless steel screws

NW38950NSSWD (WI-SS-AGH-EW) White with stainless steel self-drilling screws



STANDARD TO NARROW

- ▶ Post flange: 3.5"(H) x 3.25"(W) x 3.25"(D)
- ▶ Gate flange: 3.5"(H) x 3.25"(W) x 1.5"(D)
- ▶ Horizontally adjustable

CASE QTY	WEIGHT
12 pair	38 lbs

NW38951NSSB Black w/ stainless steel screws

NW38951NSSBD (WI-SS-AGH-N) Black w/ stainless steel self-drilling screws

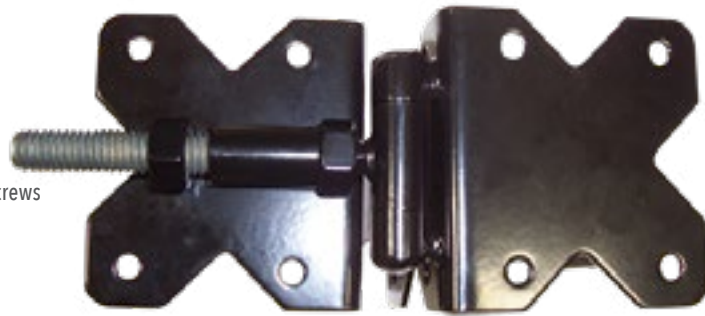
NW38951NSSW White w/ stainless steel screws

NW38951NSSWD White w/ stainless steel self-drilling screws

SV38965-BK Black

SV38965-WH White

Similar to NW38951NSS above but with Zinc plated steel and Narrow to Narrow flanges



WRAP AROUND

- ▶ Post flange: 3.5"(H) x 3.5"(W) x 3.5"(D)
- ▶ For 1-3/4" gate frames only
- ▶ Horizontally adjustable
- ▶ Stainless steel screws included
- ▶ 8 case minimum order

CASE QTY	WEIGHT
12 pair	38 lbs

NW38955-SSB Black

NW38955-SSW White



U-shaped for added strength

SUPER-DUTY 3-SIDED

- ▶ Use for 5" x 5" post and fence gate only
- ▶ Both flanges: 3.5"(H) x 3.5"(W) x 5"(D)
- ▶ Horizontally adjustable
- ▶ Packaged with stainless thru bolts, nuts and washers

CASE QTY	WEIGHT
5 pair	38 lbs

NW6056-BK Black

 Ideal for Post & Rail or Commercial Applications

Matching latch (NW6057-BK) found on page 37



V-Notch
HINGES

BUTTERFLY HINGES

- ▶ Stainless Steel
- ▶ 8" Hinge with a traditional wood hardware look
- ▶ Stainless steel screws included

CASE QTY	WEIGHT
20 pair	45 lbs

NW38943SSB (WI-CBH-8-SS) Black

NW38943SSW White



VINYL

METAL

WOOD

CHAIN LINK

STAINLESS STEEL GATE LATCH LOCKABLE BOTH SIDES

- ▶ Strike flange: 3.12"(W) x 3.5"(H) x 1.38"(D)
- ▶ Latch flange: 1.88"(W) x 5.5"(H) x 1.5"(D)
- ▶ Mounts around corner of post and gate frame
- ▶ Pad-lockable on both sides - Locking slide switch on latch arm
- ▶ Allows entry from both sides
- ▶ Reversible mounting (right or left handed)
- ▶ .63" Strike bar
- ▶ Stainless steel screws included

CASE QTY	WEIGHT
20	44 lbs

NW6255-SD-BK Black
 NW6255-SD-WH White
 NW6255-ZD-WH White
 NW6255-ZD-BK Black

- ▶ Pad-lockable on both sides

CASE QTY	WEIGHT
20	33 lbs

WI-6001-SS Black w/stainless steel screws
 WI-6001-SSW White w/stainless steel screws



STAINLESS STEEL CONTEMPORARY GATE LATCH

- ▶ Strike flange: 3.12"(W) x 3.5"(H) x 1.38"(D)
- ▶ Latch flange: 1.88"(W) x 5.5"(H) x 1.5"(D)
- ▶ Mounts around corner of post and gate frame
- ▶ Pad-lockable on both sides - Locking slide switch on latch arm
- ▶ Allows entry from both sides
- ▶ Reversible mounting (right or left handed)
- ▶ .63" Strike bar

CASE QTY	WEIGHT
20	44 lbs

NW38310N-SSB(WI-SS-CGL-PH) Black w/stainless steel screws
 NW38310N-SSBD (WI-SS-CGL) Black w/stainless steel self-drilling screws
 NW38310N-SSW (WI-SS-CGL-W-PH) White w/stainless steel screws
 NW38310N-SSWD (WI-SS-CGL-W) White w/stainless steel self-drilling screws



New stop added for easier use

STAINLESS STEEL CONTEMPORARY GATE LATCH WITH STOP

- ▶ Strike flange: 3.12"(W) x 3.5"(H) x 1.38"(D)
- ▶ Latch flange: 1.88"(W) x 5.5"(H) x 1.5"(D)
- ▶ Mounts around corner of post and gate frame
- ▶ Pad-lockable on both sides - Locking slide switch on latch arm
- ▶ Allows entry from both sides
- ▶ Reversible mounting (right or left handed)
- ▶ .63" Strike bar
- ▶ Stainless steel screws included

CASE QTY	WEIGHT
20	44 lbs

NW38310NS-SSB Black
 NW38310NS-SSW White
 NW38310NS-SSBD Black
 NW38310NS-SSWD



STAINLESS STEEL GRAVITY LATCHES

- ▶ Strike flange: 3"(H) x 3"(W) x 1.25"(D)
- ▶ Latch flange: 3"(H) x 3"(W) x 1"(D)
- ▶ Reversible mounting (right or left hand)
- ▶ Mounts around corner of post and gate frame
- ▶ Pad-lockable on one side
- ▶ .38" Strike bar
- ▶ Stainless steel screws included

CASE QTY	WEIGHT
25	25 lbs

NW38210SSB Black
NW38210SSW White



2-SIDE ACTIVATED LATCHES

NARROW STRIKE FLANGE

- ▶ Strike flange is 2"(W) x 3.5"(H) x 1.38"(D)
- ▶ Allows entry from both sides
- ▶ Mounts around corner of post and gate frame
- ▶ Pad-lockable on one side
- ▶ .38" ball-tipped striker bar

CASE QTY	WEIGHT
40	30 lbs

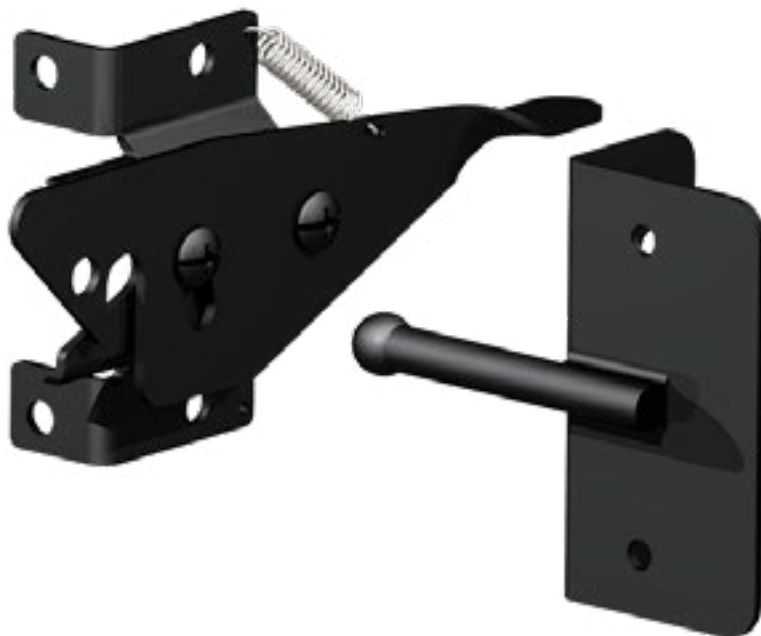
NW6068-SSB Black w/stainless steel screws
NW6068-SSBD Black w/stainless steel self-drilling screw
NW6068-SSW White w/stainless steel screws
NW6068-SSWD White w/stainless steel self-drilling screws

 Great for Double Drive Gates

- ▶ Same as NW6068 above but with a 1-1/2" longer thumb latch and return spring

CASE QTY	WEIGHT
40	37 lbs

NW6068AL-SSB Black
NW6068AL-SSW White



DUAL ACTION LATCH

- ▶ Larger keeper assembly base than NW6068
- ▶ Allows entry from both sides
- ▶ Pad-lockable on one side

CASE QTY	WEIGHT
20	40 lbs

WI-SS-DAL Black w/stainless steel screws



HIDDEN SPRING LATCHES

- ▶ Suitable for 1-1/4" - 2-1/2" gate frames
- ▶ Can be used for Double Drive Gates
- ▶ Pad-Lockable on both sides

CASE QTY	WEIGHT
20	25 lbs

NW6283-SSBD Black w/stainless steel self-drilling screws included
 NW6283-SSWD White w/stainless steel self-drilling screws included



NARROW GAP DESIGN

- ▶ Allows for tighter gate gaps

CASE QTY	WEIGHT
40	29 lbs

NW6268-SSB Black w/stainless steel screws
 NW6268-SSBD Black w/stainless steel self-drilling screws
 NW6268-SSW White w/stainless steel screws
 NW6268-SSWD White w/stainless steel self-drilling screws



MINI STAINLESS STEEL LATCH

- ▶ Allows entry from both sides
- ▶ Pad-lockable on one side

CASE QTY	WEIGHT
50	40 lbs

WI-PLVL-SS Black w/stainless steel screws
 WI-PLVL-SSW White w/stainless steel screws



WIDE STRIKE FLANGE

- ▶ Strike bar flange: 3.5"(W) x 3.5"(H) x 1.38"(D)
- ▶ Allows entry from both sides
- ▶ Pad-lockable on one side
- ▶ .38" ball tipped strike bar
- ▶ Stainless steel screws included

CASE QTY	WEIGHT
40	36 lbs

NW170SB-SSB Black
 NW170SB-SSW White



FLIP LATCH

- ▶ Great for dumpster use
- ▶ Pad-lockable
- ▶ Zinc plated steel with black powder coated finish
- ▶ Stainless steel through-bolt hardware included

CASE QTY	WEIGHT
10	37 lbs

NW6169-BK

- ▶ Teflon Coated
- ▶ Pad-lockable

CASE QTY	WEIGHT
12	56 lbs

WI-DGFL



HEAVY-DUTY STAINLESS STEEL GRAVITY LATCHES

1-SIDED NARROW TO NARROW

- ▶ Strike flange: 3"(H) x 3"(W) x 1.25"(D)
- ▶ Latch flange: 3"(H) x 3"(W) x 1"(D)
- ▶ Reversible mounting (right or left hand)
- ▶ Pad-lockable on one side
- ▶ .40" Strike bar
- ▶ Stainless steel screws included

CASE QTY	WEIGHT
10	17 lbs

NW6160-SSB Black



2-SIDED STANDARD TO STANDARD

CASE QTY	WEIGHT
10	24 lbs

NW6100-BK Black



NARROW TO NARROW

CASE QTY	WEIGHT
10	14 lbs

NW6161-SSB Black



POST AND RAIL LATCHES

- ▶ For use on 1 1/2" rail
- ▶ Great for Horse and Cattle gates
- ▶ Stainless steel screws included

CASE QTY	WEIGHT
12	34 lbs

NW175-SSB Black

 Heavy-duty Spring Loaded Strike Bar

SUPER-DUTY 3-SIDED STAINLESS STEEL LATCHES

- ▶ For use on 5" x 5" post and fence gate only
- ▶ Flange: 3.5"(H) x 5"(W) x 3.38"(D)
- ▶ Reversible mounting (right or left hand)
- ▶ Pad-lockable on one side
- ▶ Packaged with stainless thru bolts, nuts and washers

CASE QTY	WEIGHT
10	35 lbs

NW6057-BK Black

Matching hinge (NW6056-BK) found on page 33



VINYL

METAL

WOOD

CHAIN LINK

HEAVY-DUTY DROP RODS

24" STAINLESS STEEL

CASE QTY	WEIGHT
20	55 lbs

NW38305N-24SSB Black *
 NW38305N-24SSBD Black **
 NW38305N-24SSW White *
 NW38305N-24SSWD White **

36" STAINLESS STEEL

CASE QTY	WEIGHT
10	39 lbs

NW38305N-36SSB Black *
 NW38305N-36SSBD Black **
 NW38305N-36SSW White *
 NW38305N-36SSWD White **

 Pad Lockable

36" ZINC PLATED STEEL

CASE QTY	WEIGHT
10	39 lbs

NW38305N-36B Black
 NW38305N-36W White

48" STAINLESS STEEL

CASE QTY	WEIGHT
10	39 lbs

NW38305N-48SSB Black *
 NW38305N-48SSBD Black **
 NW38305N-48SSW White *
 NW38305N-48SSWD White **

- ▶ 5/8" diameter
- ▶ Screws included
- ▶ Dual guides
- ▶ Pad-lockable
- ▶ Retention-ears for theft prevention

*w/stainless steel screws **w/stainless steel self-drilling screws



STAINLESS STEEL KEY LOCKING DROP RODS

18" NW38305KL-18SSB Black NW38305KL-18SSW White

CASE QTY	WEIGHT
10	21 lbs

24" NW38305KL-24SSB Black NW38305KL-24SSW White

CASE QTY	WEIGHT
10	23 lbs

36" NW38305KL-36SSB Black NW38305KL-36SSW White


CASE QTY	WEIGHT
10	36 lbs

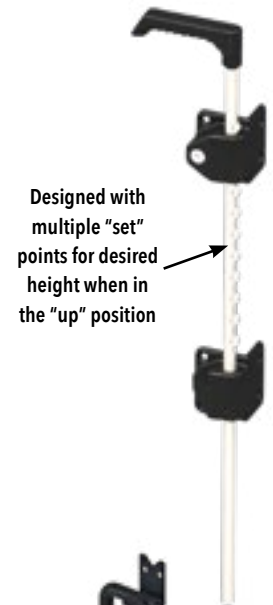
48" NW38305KL-48SSB Black NW38305KL-48SSW White

CASE QTY	WEIGHT
10	40 lbs

- ▶ Add the appeal of a key lock to your drop rod
- ▶ Anti-theft protection
- ▶ The handle & brackets are made of low-maintenance, glass filled nylon
- ▶ The rods are 300 series stainless steel
- ▶ Available with Black or White brackets
- ▶ 2-sided bracket attachment
- ▶ Stainless steel screws included

All Lockable Drop Rods Can Be Keyed Alike

 Comfortable, easy to use handle



STAINLESS DROP RODS WITH HOLDER

24" NW38305H-24SSB Black * NW38305H-24SSBD Black ** NW38305H-24SSW White * NW38305H-24SSWD White **

CASE QTY	WEIGHT
20	53 lbs

36" NW38305H-36SSB Black * NW38305H-36SSBD Black ** NW38305H-36SSW White * NW38305H-36SSWD White **

CASE QTY	WEIGHT
10	36 lbs

48" NW38305H-48SSB Black * NW38305H-48SSBD Black ** NW38305H-48SSW White * NW38305H-48SSWD White **

CASE QTY	WEIGHT
10	44 lbs

- ▶ No locking nibs
- ▶ Includes holder for "up" position



*w/stainless steel screws **w/stainless steel self-drilling screws

COMMERCIAL DROP RODS

24" NW6270-24BK Black
NW6270-24HDG Hot Dip Galvanized

CASE QTY	WEIGHT
10	46 lbs

36" NW6270-36BK Black
NW6270-36HDG Hot Dip Galvanized

CASE QTY	WEIGHT
10	55 lbs

48" NW6270-48BK Black
NW6270-48HDG Hot Dip Galvanized

CASE QTY	WEIGHT
5	36 lbs

- ▶ Heavy-duty 1" O.D. drop rod
- ▶ Zinc plated, powder coated steel
- ▶ Through bolt design
- ▶ Can be used on vinyl, wood, aluminum or steel gates



COMMERCIAL PAD LOCKABLE DROP RODS

24" NW6270L-24BK Black
NW6270L-24HDG Hot Dip Galvanized

CASE QTY	WEIGHT
10	46 lbs

36" NW6270L-36BK Black
NW6270L-36HDG Hot Dip Galvanized

CASE QTY	WEIGHT
10	55 lbs

48" NW6270L-48BK Black
NW6270L-48HDG Hot Dip Galvanized

CASE QTY	WEIGHT
5	36 lbs



Padlocks not included

GATE BRACES

- ▶ Aluminum brace
- ▶ Available in powder-coated black or white
- ▶ Fits 4' x 4' to 6' x 6' gates

CASE QTY	WEIGHT
10	25 lbs

NW6132-BK Black
NW6132-WH White

 Guards Against Sagging and Warping

PATENT PENDING

GATE SAVER PRO

NW-GSP2-BK - Gate Saver Pro - Black
NW-GSP2-WH - Gate Saver Pro - White

- ▶ Prevents and Fixes Sagging on Wooden and Vinyl Gates
- ▶ Accommodates wood gates from 36" to 72" wide

CASE QTY	WEIGHT
6	20 lbs



NW6132 gate braces shown above



Sturdy Attachment Brackets



Adjustable

Images shown above are Gate Saver Pro

NYLON GATE HANDLES WITH BUMPER

- ▶ Made with durable glass-filled nylon with UV inhibitors
- ▶ Flanges are each 2"(W) x 1.75"(D) for durable attachment
- ▶ Overall height is 4.5" and handle is 1" deep
- ▶ Rubber pad backing absorbs gate slamming shock, reducing latch wear
- ▶ Very comfortable and easy to grasp
- ▶ Stainless steel screws included
- ▶ Also available in quantities of 10

CASE QTY	WEIGHT
50	25 lbs

WI-NGH-SB Black
 WI-NGH-SB-WH White



NYLON GATE BUMPERS

- ▶ Made with durable glass-filled nylon with UV inhibitors
- ▶ Flanges are each 2"(W) x 1.75"(D) for durable attachment
- ▶ Overall height is 4.5"
- ▶ Stainless steel screws included
- ▶ Also available in quantities of 10

CASE QTY	WEIGHT
50	22 lbs

NW6186-SD-BK Black
 NW6186-SD-WH White



NYLON GATE HANDLES

- ▶ Made with durable glass-filled nylon with UV inhibitors
- ▶ Flanges are each 1.5"(W) x 1.25"(D) for durable attachment
- ▶ Overall height is 5" and handle is .75" deep
- ▶ Very comfortable and easy to grasp

CASE QTY	WEIGHT
50	8 lbs

NW314S-BK w/S.S. screws Black
 NW314S-WH w/S.S. screws White
 NW314-BK w/o screws Black
 NW314-WH w/o screws White



STAINLESS STEEL GATE HANDLES

- ▶ 2-Sided Attachment
- ▶ Modern Design
- ▶ Stainless steel screws included

CASE QTY	WEIGHT
100	35 lbs

NW6184-BK Black
 NW6184-WH White



9" STAINLESS STEEL GATE HANDLES

- ▶ Screws included
- ▶ Also available in quantities of 50

CASE QTY	WEIGHT
100	24 lbs

NW38396-SSB Black
NW38396-SSW White

 Special Finish Available



6" STAINLESS STEEL GATE HANDLES

- ▶ Stainless steel screws included
- ▶ Also available in quantities of 50

CASE QTY	WEIGHT
100	19 lbs

NW257-SSB Black
NW257-SSW White

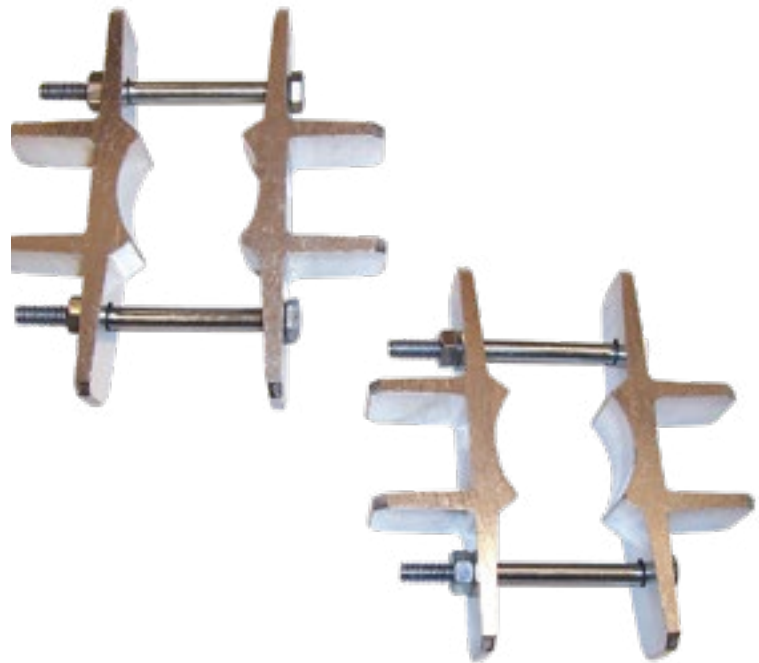


POST MOUNT BRACKET SETS

- ▶ Brackets are made of extruded aluminum
- ▶ Each kit includes 2 full brackets with four 3" stainless steel shoulder bolts and nuts

CASE QTY	WEIGHT
50 sets	33 lbs

NW6011 - Adapts a 1-5/8" round post for a 4" x 4" vinyl fence post
NW6012 - Adapts a 1-7/8" round post for a 5" x 5" vinyl fence post
NW6013 - Adapts a 1-7/8" round post for a 4" x 4" vinyl fence post
NW6014 - Adapts a 1-5/8" round post for a 5" x 5" vinyl fence post



GATE WHEELS

- ▶ Stainless steel bracket and spring
- ▶ Swivel design for ease of use
- ▶ 2-sided attachment for added strength
- ▶ Nationwide's custom V-notch™ styling
- ▶ May be used on any square profile
- ▶ Powder-coated finish
- ▶ Stainless steel screws included
- ▶ Easily reversible for use on left or right-handed gates

CASE QTY	WEIGHT
10	38 lbs

GW1-SS-BK Black
GW1-SS-WH White



GALVANIZED STEEL GATE POST STIFFENERS

- ▶ Cost-effective
- ▶ Packaged in pairs
- ▶ No minimum order requirements

Number	Size	Qty/Weight
NW6146-096	5" Profile 96" Height	2/Case @ 49 lbs
NW6146-108	5" Profile 108" Height	2/Case @ 55 lbs

 Great Alternative to Aluminum



Allows for 2-sided attachment of hardware

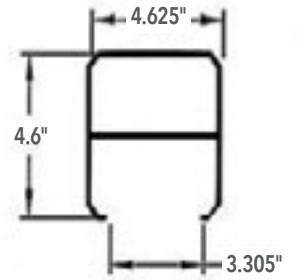
ALUMINUM GATE POST STIFFENERS

3950-96
5" Profile 96" Height "A" Beam Shape

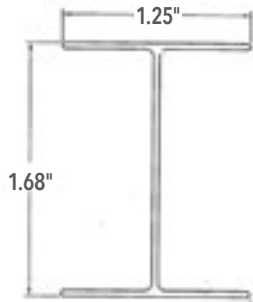
BUNDLE QTY	WEIGHT
30	492 lbs

3950-108
5" Profile 108" Height "A" Beam Shape

BUNDLE QTY	WEIGHT
30	554 lbs



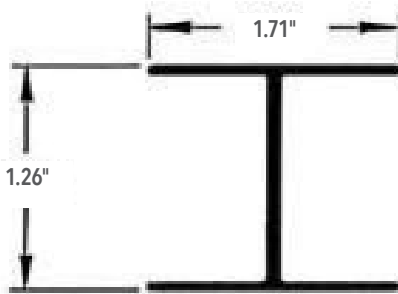
ALUMINUM EXTRUSION



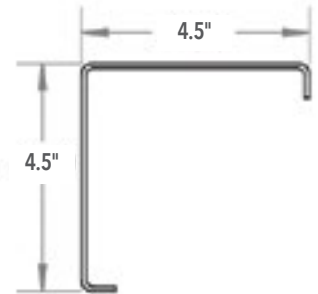
BOTTOM RAIL INSERT

Please contact customer service for bundle quantities. Special order.

WI-E-1168-96 - 1.68" H x 1.28" W x 96" insert



3007-93 - 93" Aluminum Extrusion
3007-96 - 96" Aluminum Extrusion



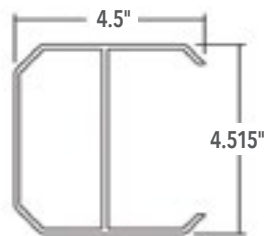
WI-E-GPI5X5-96 - 96" Gate Post Insert
WI-E-GPI5X5-108 - 108" Gate Post Insert

ALUMINUM GATE POST STIFFENERS

NW6350-096
5" Profile 96" Height "A" Beam Shape

NW6350-108
5" Profile 108" Height "A" Beam Shape

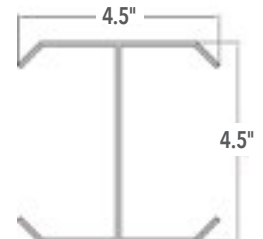
BUNDLE QTY
30



NW6351-096
5" Profile 96" Height "I" Beam Shape

NW6351-108
5" Profile 108" Height "I" Beam Shape

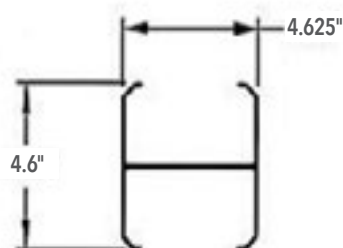
BUNDLE QTY
35



2632-SL-96
5" Profile 96" Height "I" Beam Shape

2632-SL-108
5" Profile 108" Height "I" Beam Shape

BUNDLE QTY
35

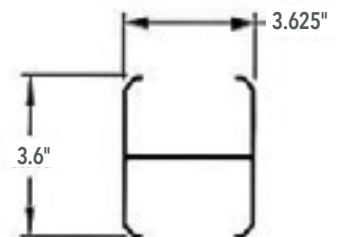


2633-72*
4" Profile 72" Height "I" Beam Shape

2633-84*
4" Profile 84" Height "I" Beam Shape

2633-96*
4" Profile 96" Height "I" Beam Shape

BUNDLE QTY
36



STAINLESS STEEL GATE ANTI-SAG KITS



NW38309-SSM

- ▶ Stainless steel attachment screws included
- ▶ Cable length is 9'

CASE QTY	WEIGHT
50	33 lbs

STEEL ANTI-SAG KITS



NW6296-BK

Steel Cable with Black Plastic Coating
NW6296-CL
Steel Cable with Clear Plastic Coating

NW6296-WH

Steel Cable with White Plastic Coating
▶ Cable Length is 9'

CASE QTY	WEIGHT
50	31 lbs

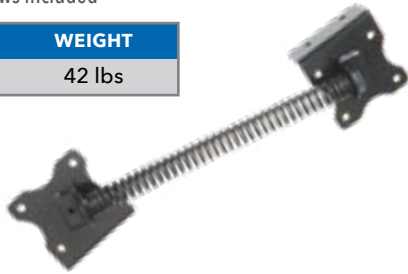
STAINLESS STEEL 13" GATE SPRINGS

NW198-SSB Black

NW198-SSW White

- ▶ Stainless steel screws included

CASE QTY	WEIGHT
20	42 lbs



STAINLESS STEEL SCREWS

14X1HEX-SSB Black

14X1HEX-SSW White

- ▶ #14 Hex-head by 1" 316 Stainless steel self-drilling
- ▶ Each packet contains 30 screws

WI-HWH-SSB Black

WI-HWH-SSW White

- ▶ #14 Hex-head by 1" 410 Stainless steel self-drilling
- ▶ 4,000 each per case

14X3/4PHILPANSS Black

14X3/4PHILPANSW White

- ▶ #14 Philips Pan-head by 3/4"
- ▶ Each packet contains 30 screws



RIVETS

NW6199-MI Mill

NW6199-WH White

NW6199-TN Tan

- ▶ 3/16" x .8"

CASE QTY	WEIGHT
5,000	23 lbs

ADA614M Mill

ADA614T Tan

- ▶ 3/16" x 1"

CASE QTY	WEIGHT
5,000	21 lbs



VINYL RAILING SUPPORT TOWERS

- ▶ All towers have a wall thickness of .110"
- ▶ Will accommodate line, corner and 'T' post applications
- ▶ Includes snug-fit wedge for post thickness variations

CASE QTY	WEIGHT
8	48 lbs

NW40001-4 - 3-5/8" x 20" Zinc plated steel

NW40001-5 - 4-5/8" x 20" Zinc plated steel



NW3004 - 3-5/8" x 20" Zinc plated steel

NW3005 - 4-5/8" x 20" Zinc plated steel

- ▶ Same as NW40001s above but with concrete anchor and adjustable leveling plate kit



WI-VFP-4425-ZP - 4.425" Zinc Plated Tower

WI-VFP-4625-ZP - 4.625" Zinc Plated Tower

- ▶ Comes with concrete anchors and adjustable leveling plate kit

CASE QTY	WEIGHT
6	24 lbs



3-5/8" DIMENSIONS FIT A 4" VINYL POST

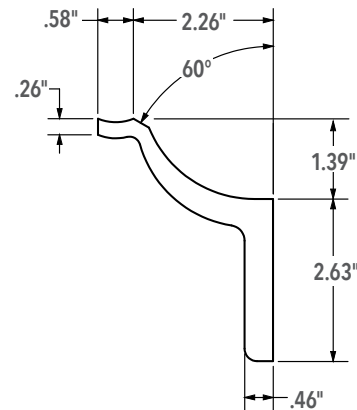
4-5/8" DIMENSIONS FIT A 5" VINYL POST

BRACKET TO ATTACH ROUND HANDRAILS

▶ Aluminum and Powder Coated

CASE QTY	WEIGHT
50	22 lbs

NW6267 White



PATENTED

SHOTGUN® GATE CLOSER

CONTROLLED CLOSING POWER TO AVOID GATE SLAMMING

- ▶ One SKU closes any gate up to 250 lbs*
- ▶ Anti-slam technology
- ▶ Adjustable closing speed
- ▶ No oil therefore no leaks

CASE QTY	WEIGHT
10	67 lbs

SHOTGUN-BK Black
SHOTGUN-SC Satin Chrome

*Tested on a 6' high, 6' wide. Needs a gate stop at 90 degrees

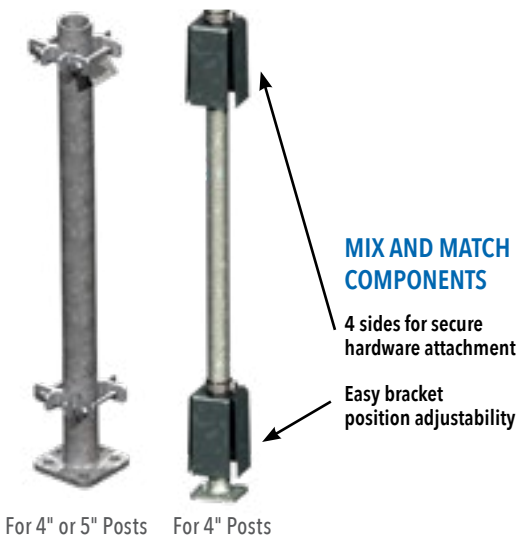


VINYL RAILING POST MOUNTS

RPM SERIES

- ▶ Code compliant within complete railing system
- ▶ Brackets come attached to post for easy installation
- ▶ Saves installation time
- ▶ Available in 36" and 42" heights

i All Components Available Individually



For 4" or 5" Posts For 4" Posts

CONCRETE1
Concrete screws: 4 per pack

CASE QTY	WEIGHT
50	26 lbs

LEVKIT1
Leveling Kit - SS plate and steel nuts & bolts: 1 each

CASE QTY	WEIGHT
100	39 lbs

WOOD1
Wood Mounting Kit - 2 steel plates and 4 carriage bolts & nuts: 1 each

CASE QTY
10

PVC CAPS AND ACCESSORIES

All PVC caps and accessories are available in White (WH), Almond (AL) and Khaki (KK). Some SKU's may have a short special order lead time for colors. Check with Customer Service for availability.



EXTERNAL HORSE FLAT POST CAP

- ▶ 4" long lipped cap - external fit
- ▶ Corner radius: .17"
- ▶ Extends: .87" over the profile
- ▶ Total height: 1.5"

CASE QTY	WEIGHT
204	32 lbs

VPC-EXHFL4-WH-2 White

- ▶ 5" long lipped cap - external fit
- ▶ Corner radius: .17"
- ▶ Extends: 1" over the profile
- ▶ Total height: 1.9"

CASE QTY	WEIGHT
136	39 lbs

▶ VPC-EXHFL5-WH-2 White



NEW ENGLAND POST CAP

- ▶ 4" square cap - external fit
- ▶ Corner radius: .13"
- ▶ Extends: 1" over the profile
- ▶ Total height: 1.8"

CASE QTY	WEIGHT
28	11 lbs

VPC-NWENG4-WH-2 White

- ▶ 5" square cap - external fit
- ▶ Corner radius: .16"
- ▶ Extends: 1.3" over the profile
- ▶ Total height: 2.2"

CASE QTY	WEIGHT
24	16 lbs

VPC-NWENG5-WH-2 White



CAPE COD POST CAP

- ▶ 4" cap - external fit
- ▶ Inside corner radius: .125"
- ▶ Extends: 1.03" over the profile
- ▶ Total height: 2.55"

CASE QTY	WEIGHT
24	12 lbs

VPC-CC4-WH-2 (White)

- ▶ 5" cap - external fit
- ▶ Inside corner radius: .19"
- ▶ Extends: 1.28" over the profile
- ▶ Total height: 2.74"

CASE QTY	WEIGHT
24	17 lbs

VPC-CC5-WH-2 (White)



WHITE SOLAR LIGHT WITH WHITE TOP

- ▶ 4" x 4" cap - external fit
- ▶ Total height: 4.75"

CASE QTY	WEIGHT
12	21 lbs

VPL-SOL4-WH-2 (White)

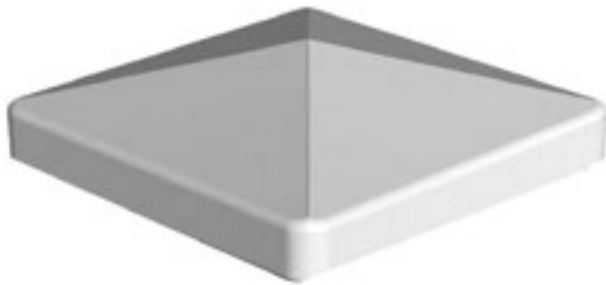
- ▶ 5" x 5" cap - external fit
- ▶ Total height: 5.25"

CASE QTY	WEIGHT
12	22 lbs

VPL-SOL5-WH-2 (White)



Top easily removes to access batteries.
No need to remove entire light from post.

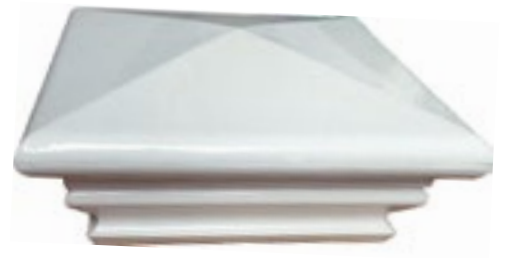


EXTERNAL SHORT LIP POST CAP

- ▶ 4" short lipped cap – external fit
- ▶ Inside corner radius: .17"
- ▶ Extends: .54" over the profile
- ▶ Total height: 1.35"

CASE QTY	WEIGHT
120	13 lbs

VPC-SLEXHFL4-WH-2 (White)



FEDERAL POST CAP

- ▶ 5" Federal Post Cap

CASE QTY	WEIGHT
36	42 lbs

WI-PVC-FED5-W (White)



GOTHIC POST CAP

VPC-GOTH4-WH-2 (WI-PVC-GC4-W) White

- ▶ 4" cap - external fit
- ▶ Corner radius: .06"
- ▶ Extends: 1.4" over the profile
- ▶ Total height: 7.8"

CASE QTY	WEIGHT
45	25 lbs

VPC-GOTH5-WH-2 (WI-PVC-GC5-W) White

- ▶ 5" cap - external fit
- ▶ Corner radius: .03"
- ▶ Extends: 1.6" over the profile
- ▶ Total height: 9.64"

CASE QTY	WEIGHT
48	44 lbs



7/8" x 1-1/2" SHARP POINT/ SPADE PICKET CAP

- ▶ 7/8" x 1-1/2" cap – internal fit
- ▶ Min. inside profile dim: .74" x 1.36"
- ▶ Corner radius: .125"
- ▶ Extends: .9" into the profile
- ▶ Total height: 2.4"

CASE QTY	WEIGHT
500	14 lbs

VPKT-SHP150N-WH-2 (White)



1-1/2" SQUARE SHARP POINT PYRAMID PICKET CAP

- ▶ 1-1/2" x 1-1/2" cap – internal fit
- ▶ Min. inside profile dim: 1.35" x 1.35"
- ▶ Corner radius: .11"
- ▶ Extends: .6" into the profile
- ▶ Total height: 1.4"

CASE QTY	WEIGHT
500	11 lbs

VPKT-SHPSQN-WH-2 (White)



7/8" x 3" SHARP POINT/ SPADE PICKET CAP

- ▶ 7/8" x 3" cap – internal fit
- ▶ Min. inside profile dim: .73" x 2.85"
- ▶ Corner radius: .125"
- ▶ Extends: .8" into the profile
- ▶ Total height: 2.82"

CASE QTY	WEIGHT
250	13 lbs

VPKT-SHP3N-WH-2 (White)



7/8" x 3" DOG EAR PICKET CAP

- ▶ 7/8" x 3" cap – internal fit
- ▶ Min. inside profile dim: .73" x 2.85"
- ▶ Corner radius: .125"
- ▶ Extends: .8" into the profile
- ▶ Total height: 1.8"

CASE QTY	WEIGHT
300	13 lbs

VPKT-DGR3N-WH-2 (White)



2" x 3-1/2" STRAIGHT BRACKET SET

- ▶ Inside Dimensions: 2" x 3-1/2"
- ▶ Inside corner radius: .125"
- ▶ Overall dimensions: 3.75" x 5.2"
- ▶ Screws included

CASE QTY	WEIGHT
24 kits (2 per kit)	16 lbs

VBKT-L235-WH-2 (White)



2" x 3-1/2" STAIR BRACKET SET

- ▶ Inside Dimensions: 2" x 3-1/2"
- ▶ Inside corner radius: .125"
- ▶ Overall dimensions: 3.75" x 5.2"
- ▶ Screws included
- ▶ Degree of angle: 31-38°

CASE QTY	WEIGHT
24 kits (2 per kit)	16 lbs

VBKT-S235-WH-2 (White)



T-RAIL STRAIGHT BRACKET SET

- ▶ Overall dimensions: 3.75" x 5.2"
- ▶ Screws included

CASE QTY	WEIGHT
24 kits (2 per kit)	16 lbs

VBKT-LTRL-WH-2 (White)



NEW ENGLAND POST SKIRT

- ▶ 4" post skirt - external fit
- ▶ Corner radius: .125"
- ▶ Total height: 1.30"
- ▶ Overall outside dim: 5.49"

CASE QTY	WEIGHT
40	9 lbs

VPS-NWENG4A-WH-2 (White)

- ▶ 5" post skirt - external fit
- ▶ Corner radius: .125"
- ▶ Total height: 1.62"
- ▶ Overall outside dim: 6.77"

CASE QTY	WEIGHT
40	15 lbs

VPS-NWENG5A-WH-2 (White)



2-PIECE POST SKIRT

- ▶ 4" two piece post skirt - external fit
- ▶ Corner radius: .125"
- ▶ Total height: 1.3"
- ▶ Overall outside dim: 5.49"

CASE QTY	WEIGHT
50	9 lbs

VPS-2PC4-WH-2 (White)

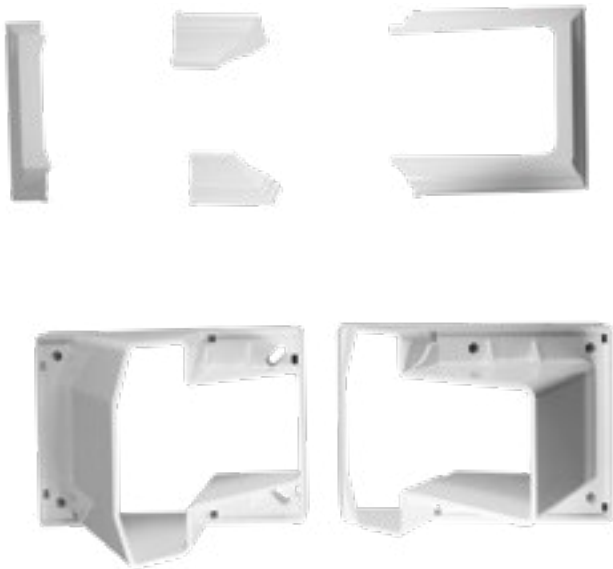


HOLE PLUG

- ▶ Fits into a 5/8" hole

CASE QTY	WEIGHT
500	2 lbs

VHP-580-WH-2 (White)



T-RAIL STAIR BRACKET SET

- ▶ Overall dimensions: 3.75" x 5.2"
- ▶ Screws included
- ▶ Degree of angle: 31-38°

CASE QTY	WEIGHT
24 kits (2 per kit)	18 lbs

VBKT-STRL-WH-2 (White)



3-1/2" RAIL END CAP

- ▶ 2" x 3-1/2" cap - external fit
- ▶ Cap lip - 0.56"

CASE QTY	WEIGHT
100	6 lbs

VREC-350-E-WH-2 (White)

- ▶ 2" x 3-1/2" cap - internal fit
- ▶ Min. inside profile dim: 1.78" x 3.3"
- ▶ Corner radius: .25"
- ▶ Extends: .62" into the profile
- ▶ Total height: .72"

CASE QTY	WEIGHT
200	9 lbs

VREC-350-B-WH-2 (White)



GATE SOCKETS

- ▶ Dimensions: 1-1/2" x 5-1/2" x 4"

CASE QTY	WEIGHT
40	15 lbs

VACC-GS-55-WH-2 (White)

- ▶ Dimensions: 2" x 3-1/2" x 4"

CASE QTY	WEIGHT
48	22 lbs

VACC-GS-35-WH-2 (White)

- ▶ Dimensions: 1-1/2" x 5-1/2" x 4"

CASE QTY	WEIGHT
64	24 lbs

VACC-RM-A-WH-2 (White)

- ▶ Dimensions: 2" x 3-1/2" x 4"

CASE QTY	WEIGHT
78	36 lbs

VACC-RM-B-WH-2 (White)

- ▶ Dimensions: 2" x 6" x 4"

CASE QTY	WEIGHT
64	41 lbs

VACC-RM-C-WH-2 (White)

- ▶ Dimensions: 1-3/4" x 5-1/2" x 4"

CASE QTY	WEIGHT
64	30 lbs

VACC-RM-D-WH-2 (White)



SNAP LOCK TOOL

▶ 1/4" Hand Held Snap Lock Tool

CASE QTY	WEIGHT
1	21 lbs

VT-HHSLT



NOTCHING TOOL

▶ 3/4" Notching Tool

CASE QTY	WEIGHT
10	60 lbs

VT-3/4NOTCH

POST HOLE DIGGERS & TOOLS

▶ Wood Handle

CASE QTY
1

WI-006



▶ Torque Bar

CASE QTY
1

WI-CB06



PVC GLUE

▶ 8 Ounce Tube

CASE QTY	WEIGHT
8	5 lbs

VGL-8W (White)

VGL-8C (Clear)

▶ 1.5 Ounce Tube

CASE QTY	WEIGHT
24	3 lbs

VGL-15W (White)

VGL-15C (Clear)



RAIL LOCK

▶ Rail Lock for 1-1/2", 1-3/4", and 2" Width

CASE QTY	WEIGHT
500	15 lbs

VRL-A

POST-TO-PIPE & POST COLLARS

NW-PLC

▶ For a 5" PVC post

▶ Fits a 2-3/8" pipe

CASE QTY	WEIGHT
36	20 lbs



NW-TRT

▶ Fits 5" Vinyl Posts

CASE QTY	WEIGHT
100	13 lbs



METAL FENCE & GATE HARDWARE

TABLE OF CONTENTS

Innovative Products	52
Hinges	60
Brackets and Latches	70
Post Caps	71
Brackets	74
End Caps and Floor Mounts	79
Finials	82
'O' Rings, Handles and Drop Rods	84
Wheels, Closers and Trolleys	86

**NATIONWIDE
INDUSTRIES®**

Photo courtesy of Shoreline Vinyl Systems





PATENTED



TRIDENT™
SAFE SIGNAL™
BY NATIONWIDE INDUSTRIES®

NEW! TRIDENT™ SAFE SIGNAL

- ▶ Safe-Notch™ engages and remains closed upon contact
- ▶ Alarms if gate is left unlatched for more than 15 seconds
- ▶ Flashing LED lights provide visual warning of unlatched gate
- ▶ Easy Installation without the need of special tools
- ▶ Fits all square post gate applications



CASE QTY	WEIGHT
20	47.4 lbs

TRIDENTSS20BK Black 20"

Adapter available for use with round posts. Part No. NW6149-BK



20"

PATENTED

TRIDENT™ MAGNETIC GATE LATCH

- ▶ Safe-Notch™ engages and remains closed upon contact
- ▶ Trident™ strong magnetic closing power, easy installation and guaranteed to last!
- ▶ Sophisticated, modern design
- ▶ Rust-resistant components
- ▶ Meets international pool codes, please check local pool codes prior to use



CASE QTY	WEIGHT
20	26 lbs

TRIDENT20-BK Black 20"

TRIDENT20-WH White 20"

TRIDENT10-BK Black 10"

TRIDENT10-WH White 10"

Adapter available for use with round posts. Part No. NW6149-BK

i Available in Keyed Alike (-KA)



10"

10"

20"

20"

PATENTED

AQUALATCH® MAGNETIC GATE LATCH

- ▶ SafeAlert™ red alert area appears when disengaged
- ▶ Heavy-duty construction
- ▶ Beautiful, modern design
- ▶ Multi-directional leveling for misaligned gates
- ▶ Excellent horizontal and vertical adjustability
- ▶ Fits right or left handed gates
- ▶ Industry-BEST Warranty



CASE QTY	WEIGHT
20	24 lbs

AQUA10-BK Black AquaLatch® w/Std Keeper

AQUA10-WH White AquaLatch® w/Std Keeper

AQUA10H-BK Black AquaLatch® w/Handle/Keeper

AQUA10H-WH White AquaLatch® w/Handle/Keeper

AQUA20-BK Black AquaLatch® w/Std Keeper

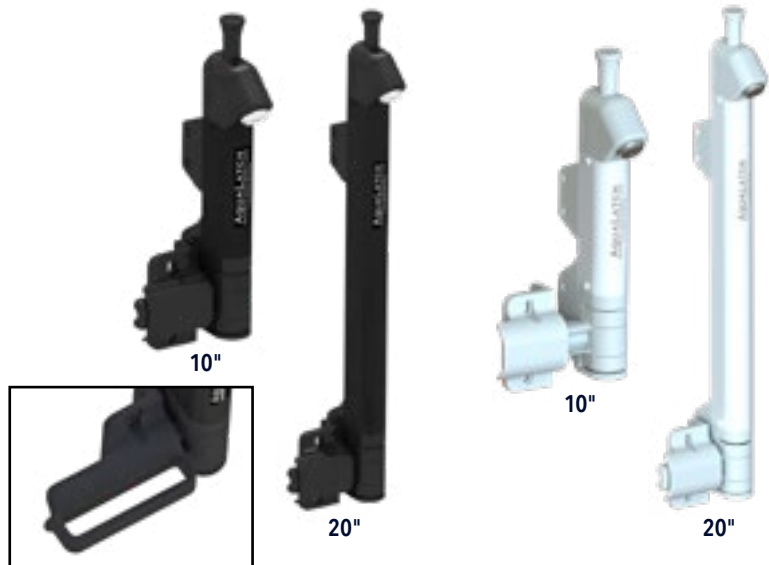
AQUA20-WH White AquaLatch® w/Std Keeper

AQUA20H-BK Black AquaLatch® w/Handle/Keeper

AQUA20H-WH White AquaLatch® w/Handle/Keeper

Adapter available for use with round posts. Part No. NW6149-BK

i Available in Keyed Alike (-KA)



10"

10"

20"

20"

KEYSTONE® SERIES

PATENTED

KEYSTONE® TRAVERSE 200

- ▶ Fits 2" Fence Post
- ▶ Reversible for mounting/install
- ▶ No drilling holes through post
- ▶ Locks & unlocks from both sides
- ▶ Uses a 6-pin key cylinder



CASE QTY	WEIGHT
20	14 lbs

KLTRV-200-4D-BK TRAVERSE LATCH, Black,
2" Reversible 6-pin W/SD SCREWS
KLTRV-200-4D-BK-KA TRAVERSE LATCH, Black,
2" Reversible 6-pin W/SD SCREWS-KA



PATENTED

KEYSTONE® TRAVERSE 250

- ▶ Fits 2.5" Fence Post
- ▶ Reversible for mounting/install
- ▶ No drilling holes through post
- ▶ Locks & unlocks from both sides
- ▶ Uses a 6-pin key cylinder



CASE QTY	WEIGHT
20	14 lbs

KLTRV-250-4D-BK Reversible 6-pin w/ SD Screws, Black
KLTRV-250-4D-BK-KA Reversible 6-pin w/ SD Screws, Black



VINYL

METAL

WOOD

CHAIN LINK

PATENTED

KEYSTONE® 2 SERIES

KLADV2-P2-4D-BK Black (Nylon)

KLADV2-P2-ZD-BK Black (Nylon)

- ▶ NEW & IMPROVED with 6-pin cylinder
- ▶ Locking feature accessible from both sides
- ▶ Same specifications as KLADV-P2 below

	CASE QTY	WEIGHT
	20	27 lbs

KLADV2-P1-4D-BK Black (Nylon)

KLADV2-P1-ZD-BK Black (Nylon)

- ▶ NEW & IMPROVED with 6-pin cylinder

	CASE QTY	WEIGHT
	20	16 lbs

 All Keystone® 2-Sided Latches are packed with a durable Plastic Marking Template for installation.

KLADV2-P2-4D-WH White (Nylon)

	CASE QTY	WEIGHT
	20	23 lbs

KLADV2-P2-4D-WH White (Nylon)

- ▶ Same as KLADV-P2 but with zinc die cast housing

	CASE QTY	WEIGHT
	20	48 lbs



PATENTED

KEYSTONE® SERIES

KLADV-P1ZD-WH White (Nylon)

- ▶ Reversible for right-hand or left-hand use
- ▶ Glass-filled nylon housing
- ▶ Thumb release button on one side, gravity latch lever on opposite side
- ▶ Stainless steel screws included
- ▶ Features latch side only


	CASE QTY	WEIGHT
	20	17 lbs

KLADV-M1-BK Black (Zinc diecast)

KLADV-M1-WH White (Zinc diecast)

KLADV-M2ZD-BK Black (Zinc diecast)

KLADV-M2ZD-WH White (Zinc diecast)

	CASE QTY	WEIGHT
	20	31 lbs

PATENTED

KEYSTONE® PANICLATCH™

KPL-P2-BK Black

- ▶ Self-Locking anti-tamper design
- ▶ Easy exit with large button
- ▶ Secure Entry with 6-pin key

CASE QTY	WEIGHT
6 pair	20 lbs



Easy push button egress with no need for a panic bar



PATENTED**SAME KLX LATCH,
WITH SLIMLINE DESIGN**

KLX2-P2-4D-BK Black
 KLX2-P2-4D-WH White

- ▶ Slimline design



CASE QTY	WEIGHT
20	20 lbs

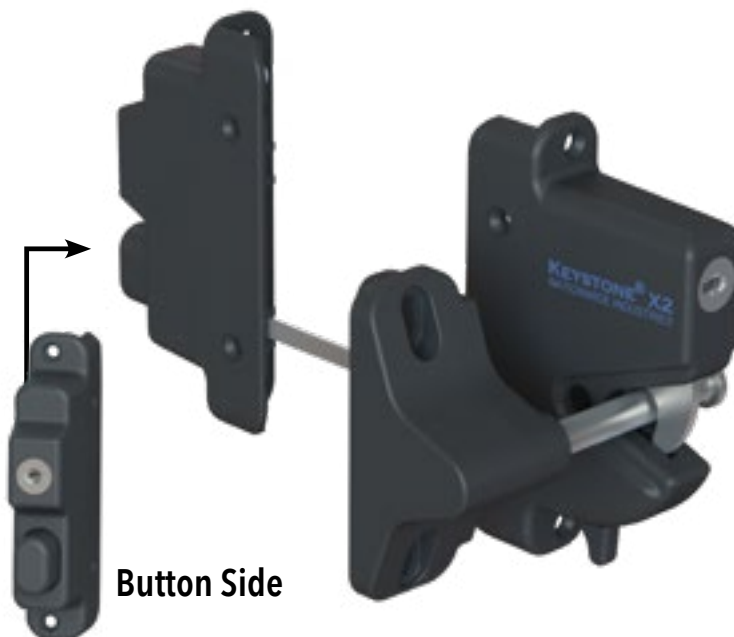
KLX2-P1-4D-BK Black
 KLX2-P1-4D-WH White

- ▶ Features Latch only



CASE QTY	WEIGHT
20	13 lbs

- ▶ Easy to install
- ▶ For 2" to 5" fence posts
- ▶ No drilling holes through posts
- ▶ Locks and unlocks from both sides
- ▶ Time saver for installers

**PATENTED****ORNAMAG® MAGNETIC GATE LATCH**

- ▶ Accommodates up to 2" gate post profile
- ▶ Key locking
- ▶ Reversible for right-hand or left-hand use
- ▶ Self-drilling stainless steel screws and self-drilling steel screws included
- ▶ Great for double drive gates

CASE QTY	WEIGHT
10	27 lbs

OM-L-BK Black
 OM-L-BZ Bronze
 OM-L-WH White

Back Plates Included to Accommodate Gate Gap Variance

Back Plate Gap Range:

- ▶ Standard Back Plate 5/16" to 13/16"
- ▶ Offset Back Plate 3/16" to 1-7/16"

**PATENTED****ARMORLATCH®**

- ▶ Locks & unlocks from either side
- ▶ Add aluminum cover plates for metal look and color
- ▶ Re-keyable to home locks
- ▶ Reversible for left or right hand use
- ▶ Easy installation including horizontal & vertical adjustability
- ▶ Works with double drive gates
- ▶ Fits gate frames from 1-1/2" to 5" deep



CASE QTY	WEIGHT
10	19 lbs

NW6244-SD-FB Flat Black w/self-drilling stainless steel screws
 NW6244CV-MI Cover Plates Unpainted
 NW6244CV-WH Cover Plates White
 NW6244CV-BZ Cover Plates Bronze

*Call customer service to check availability of cover plates.



CORNERSTONE® 2 SERIES

PATENTED

CORNERSTONE® 2 NON ADJUSTABLE HINGE

- ▶ Post and Gate flanges: 1"(W) x 1"(D)
- ▶ Heavy-duty design produced with durable glass-filled nylon
- ▶ 1/4" Allen wrench included for easy Turn-N-Go™ tension adjustment
- ▶ Safe, anti-climb design



CASE QTY	WEIGHT
20 pair	33 lbs

C2H100N-4D-BK Black w/stainless steel self-drilling screws included
 C2H100N-4D-BK Black w/zinc plated steel self-drilling screws included

Point-load tested over 1,500 lbs per pair



PATENTED

CORNERSTONE® 2 HEAVY-DUTY SELF-CLOSING ON GATES UP TO 135 LB

- ▶ Fits both right and left-hand applications
- ▶ C2H121 Includes Alignment tab on Gate Post side
- ▶ 1/4" Allen wrench included for easy
- ▶ Turn-N-Go™ tension adjustment



CASE QTY	WEIGHT
20 pair	29 lbs

C2H120NB-4D-BK Black w/stainless steel screws

Point-load tested over 1,700 lbs per pair



PATENTED

CORNERSTONE® 2 SQUARE POST FULLY ADJUSTABLE HINGE

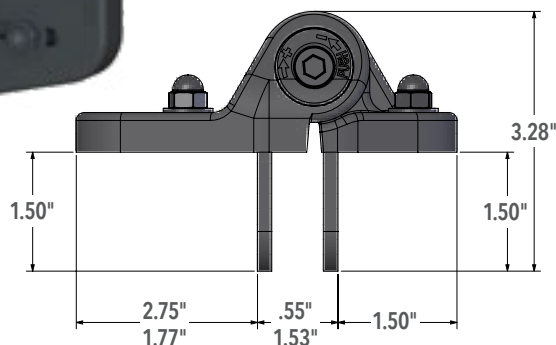
- ▶ Horizontally adjustable to 0.98"
- ▶ Vertically adjustable to 0.875"
- ▶ Fits both right and left-hand applications
- ▶ 1/4" Allen wrench included for easy Turn-N-Go™ tension adjustment
- ▶ Safe, anti-climb design



CASE QTY	WEIGHT
20 pair	46 lbs

C2H200F-4D-BK Black w/stainless steel self-drilling screws included
 C2H200F-4D-WH White w/stainless steel self-drilling screws included

Point-load tested over 1,500 lbs per pair



CORNERSTONE® SERIES

CORNERSTONE® NON ADJUSTABLE HINGE

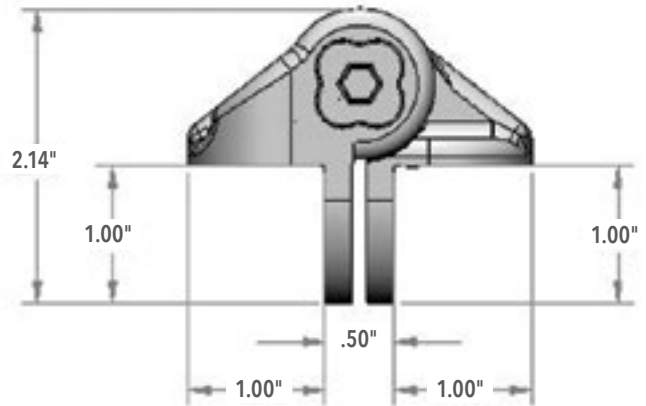
- ▶ Post and Gate flanges: 1"(W) x 1"(D)
- ▶ Produced with durable glass-filled nylon
- ▶ 1/4" Allen wrench included for tension adjustment



CASE QTY	WEIGHT
20 pair	19 lbs

CH100N-SD-WH White w/stainless steel self-drilling screws included

Point-load tested over 1,000 lbs per pair



VINYL

METAL

WOOD

CHAIN LINK

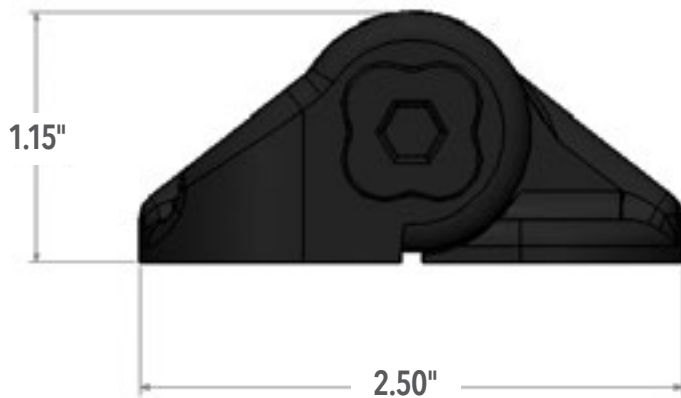
CORNERSTONE® VERTICALLY ADJUSTABLE HINGE

- ▶ Slotted for vertical adjustability
- ▶ 1/4" Allen wrench included for tension adjustment



CASE QTY	WEIGHT
20 pair	19 lbs

CH101V-4D-BK Black w/stainless steel self-drilling screws included

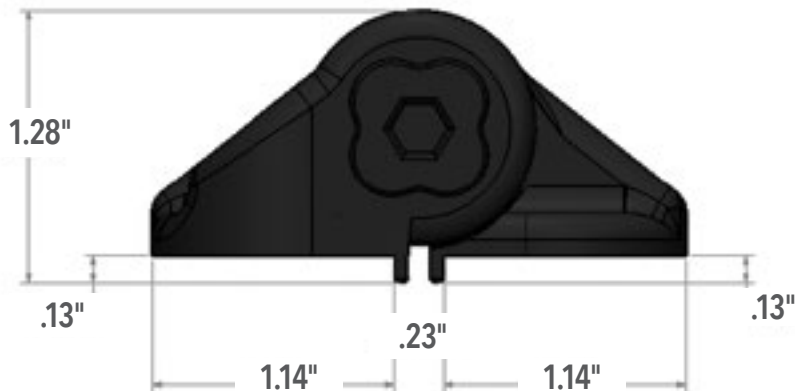


- ▶ Slotted for vertical adjustability
- ▶ Includes tabs for alignment
- ▶ 1/4" Allen wrench included for tension adjustment



CASE QTY	WEIGHT
20 pair	19 lbs

CH102V-4D-BK Black w/stainless steel self-drilling screws included



CORNERSTONE® MINI VERTICALLY ADJUSTABLE HINGE

Designed with smaller look for slightly lighter gates
 Tested to 1 million cycles on a 60lb gate

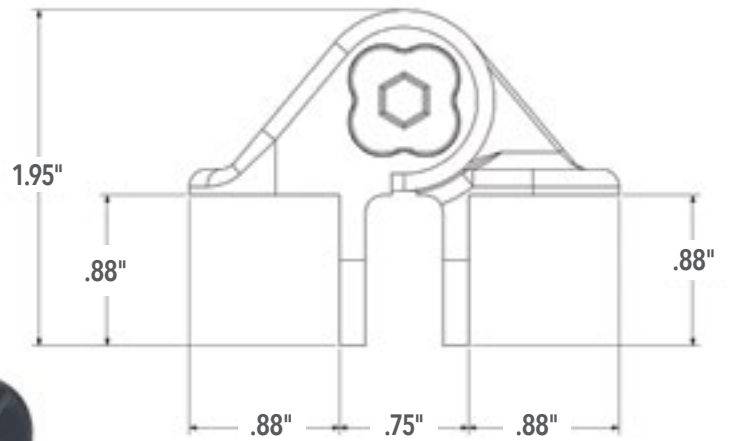
- ▶ Slotted for vertical adjustability
- ▶ 1/4" Allen wrench included for tension adjustment



CASE QTY	WEIGHT
20 pair	18 lbs

CH090-SD-BK Black w/stainless steel self-drilling screws included

Point-load tested over 900 lbs per pair



CORNERSTONE® 2 SERIES

PATENTED

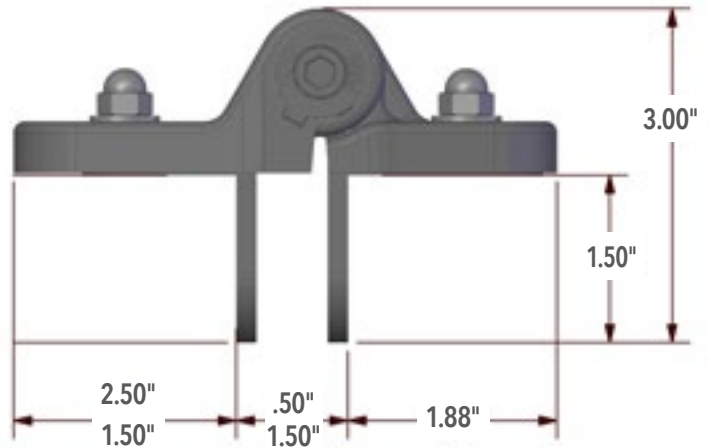
CORNERSTONE® 2 FULLY ADJUSTABLE HINGE

- ▶ Horizontally adjustable up to 1"
- ▶ Vertically adjustable up to 0.75"
- ▶ Fits both right and left-hand applications
- ▶ 1/4" Allen wrench included for easy Turn-N-Go™ tension adjustment



CASE QTY	WEIGHT
20 pair	26 lbs

C2H095F-4D-BK Black with 400 series stainless steel self-drilling screws



VINYL

METAL

WOOD

CHAIN LINK



4" SELF-CLOSING ALUMINUM HINGE

- ▶ Post flange: 1/8"(W) x 2"(D)
- ▶ Gate flange: 1"(W) x 1"(D)
- ▶ Tension adjustment wrench and barrel caps included

CASE QTY	WEIGHT
50	25 lbs

NW093-26 Black
 NW093-36 Bronze
 NW093-56 White

- ▶ Both flanges: 1"(W) x 1"(D)
- ▶ Tension adjustment wrench and barrel caps included

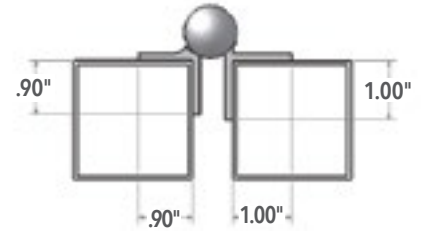
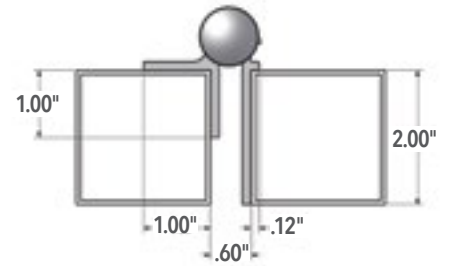
CASE QTY	WEIGHT
50	25 lbs

NW093A-26 Black
 NW093A-36 Bronze
 NW093A-56 White

- ▶ Pairs come with self-drilling stainless steel screws and instructions

CASE QTY
25 pair

NW093A-2S-26 Black
 NW093A-2S-36 Bronze
 NW093A-2S-56 White



5" SELF-CLOSING ALUMINUM HINGE

- ▶ Post flange: 1/8"(W) x 2"(D)
- ▶ Gate flange: 1"(W) x 1"(D)
- ▶ Tension adjustment wrench and barrel caps included

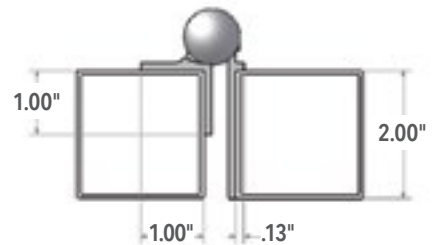
CASE QTY	WEIGHT
50	32 lbs

NW093J-26 Black
 NW093J-36 Bronze
 NW093J-56 White

- ▶ Pairs come with self-drilling stainless steel screws and instructions

CASE QTY	WEIGHT
25 pair	25 lbs

NW093J-2S-26 Black
 NW093J-2S-36 Bronze
 NW093J-2S-56 White



Also includes shim for wall-mount applications

5-3/4" SELF-CLOSING ALUMINUM HINGE

- ▶ White is Special Order
- ▶ Post flange: 1 3/4"(W) x 5/16"(D)
- ▶ Gate flange: 1"(W)
- ▶ Adjustable spring tension

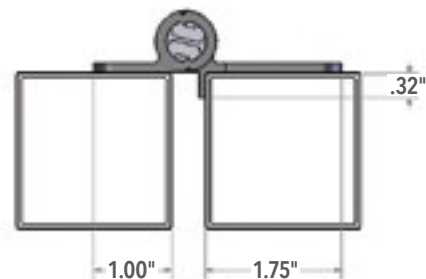
CASE QTY	WEIGHT
100	55 lbs

NW094-BK Black
NW094-BZ Bronze

- ▶ Pairs come with self-drilling stainless steel screws and instructions

CASE QTY	WEIGHT
50 pair	49 lbs

NW094-2S-BK Black Pair
NW094-2S-BZ Bronze Pair



- ▶ Both flanges: 1-3/4"(W) x 5/16"(D)
- ▶ Adjustable spring tension

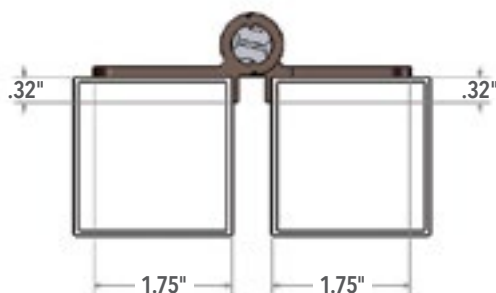
CASE QTY	WEIGHT
100	61 lbs

NW094L-BK Black
NW094L-BZ Bronze
NW094L-WH White

- ▶ Pairs come with self-drilling stainless steel screws and instruction

CASE QTY	WEIGHT
50 pair	63 lbs

NW094L-2S-BK Black Pair
NW094L-2S-BZ Bronze Pair
NW094L-2S-WH White Pair



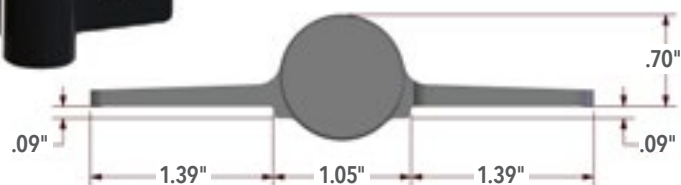
NAUTILUS® CONTROLLED CLOSING GATE HINGE

- ▶ Anti-slam technology
- ▶ Vertically and Horizontally adjustability
- ▶ Fits both right and left hand applications
- ▶ Easy to adjust closing speed

CASE QTY	WEIGHT
12 pair	27 lbs

NTLS-R-AA-BK Active-Active Hinge, Black, Right Hand
NTLS-L-AA-BK Active-Active Hinge, Black, Left Hand

*Closing power of 125 lbs.



5-3/4" SELF-CLOSING ALUMINUM HINGE

- ▶ Both flanges: 1 1/2"(W) x 5/16"(D)
- ▶ Adjustable spring tension

CASE QTY	WEIGHT
100	55 lbs

NW096-BK Black
 NW096-BZ Bronze
 NW096-WH White

- ▶ Pairs come with self-drilling stain less steel screws and instructions

CASE QTY	WEIGHT
50 pair	60 lbs

NW096-2S-BK Black Pair
 NW096-2S-BZ Bronze Pair
 NW096-2S-WH White Pair

- ▶ Both flanges: 1 1/2"(W) x 1 1/2"(D)
- ▶ Adjustable spring tension

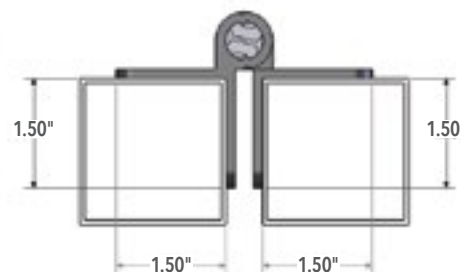
CASE QTY	WEIGHT
50	42 lbs

NW095-BK Black
 NW095-BZ Bronze
 NW095-WH White

- ▶ Pairs come with self-drilling stain less steel screws and instructions

CASE QTY	WEIGHT
25 pair	46 lbs

NW095-2S-BK Black Pair
 NW095-2S-BZ Bronze Pair
 NW095-2S-WH White Pair



4" NON SELF-CLOSING ALUMINUM HINGE

CASE QTY	WEIGHT
100	39 lbs

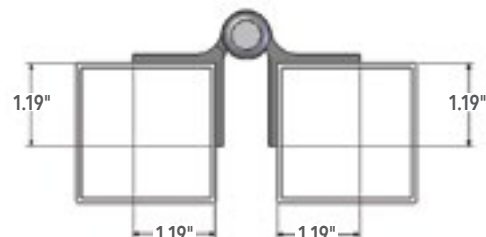
NW149-26 Black

- ▶ Both flanges:
1-3/16"(W) x 1-3/16"(D)

CASE QTY	WEIGHT
50 pair	44 lbs

NW149-2S-26 Black Pair

- ▶ Pairs come with self-drilling stain less steel screws and instructions

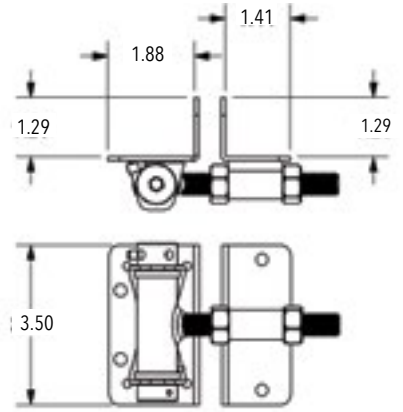


HORIZONTAL ADJUSTABLE SELF-CLOSING STAINLESS STEEL HINGE

STRONG CLOSING POWER

CASE QTY	WEIGHT
12	29 lbs

NW171SCP5-SSB Black
 NW171SCP5-SSBD* Black
 NW171SCP5-SSBZD* Bronze
 * D=Self-drilling screws



SQUARE GATE HINGES - FEMALE

- ▶ Pressed Steel w/fasteners
- ▶ HDG
- ▶ 4mm

CASE QTY	WEIGHT
50 each	24 lbs

CL-5501-BK Black 1-1/4" x 1"

CASE QTY	WEIGHT
25 each	10 lbs

CL-5502-BK Black 1-1/2" x 1"

CASE QTY	WEIGHT
25 each	24 lbs

CL-5503-BK (WI-OFH-2B) Black 2" x 1"



SQUARE GATE HINGES - MALE

- ▶ Pressed Steel w/fasteners
- ▶ HDG
- ▶ 4mm

CASE QTY	WEIGHT
50 pair	50 lbs

CL-5506-BK Black 2" x 1"
 CL-5507-BK Black 2-1/2" x 1"
 CL-5508-BK (WI-OMH-3B) Black 3" x 1"



SQUARE COLLARS

- ▶ Pressed Steel w/fasteners
- ▶ HDG
- ▶ 4mm

CASE QTY
50 sets

CL-7379-BK Black 1-1/4" x 1"
 CL-7382-BK Black 2" x 1"



SQUARE FORKS

- ▶ Pressed Steel w/fasteners
- ▶ HDG
- ▶ 4mm

CASE QTY
50 each

CL-7389-BK Black 1-1/4" x 1"
 CL-7391-BK Black 2" x 1"
 CL-7392-BK Black 2-1/2" x 1"



PRESSED STEEL SQUARE BRACE BANDS

- ▶ Available in Black



Number	CL-5095-SQ	CL-5096-SQ	CL-5097-SQ	CL-5098-SQ	CL-5101-SQ
Size	1-1/2" x 1-1/2"	2" x 2"	2-1/2" x 2-1/2"	3" x 3"	4" x 4"
Quantity	100/Case	100/Case	50/Case	50/Case	50/Case

VINYL

METAL

WOOD

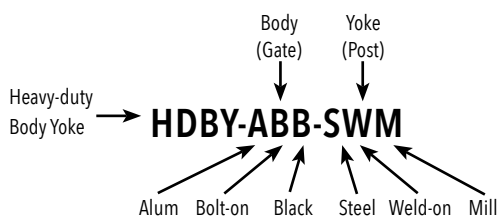
CHAIN LINK

FOR EACH SIDE OF THE HINGE, YOU CHOOSE:

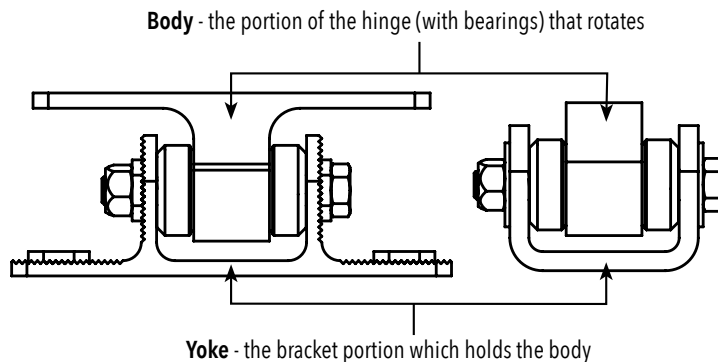
- ▶ Aluminum or Steel material
- ▶ Bolt-on or Weld-on application
- ▶ Black or Mill (unpainted) finish

Understanding the Part Number

Material: A = Aluminum S = Steel
Application: B = Bolt-on W = Weld-on
Finish: M = Mill B = Black*



* Black finish on aluminum and steel is e-coated.



HINGE FEATURES:

- ▶ Each hinge contains 2 sealed roller bearings (no grease required)
- ▶ All hinges slotted for horizontal adjustability
- ▶ Rating: 2,500 lbs. per hinge based on factory dynamic rating of bearings**
- ▶ Assembled in the U.S.
- ▶ Warranty: Lifetime on components and 5 years on bearings
- ▶ Unpainted steel hinges are zinc plated.
- ▶ Steel weld-on body fits round or square profiles
- ▶ All hinges sold individually but packaged 8/case.

** On this type of hinge, the mounting bracket is the weak point (not the bearings). Nationwide Industries steel yoke is 15% thicker than competitive products reviewed.

PATENT PENDING

HDBYSC-SWM-SWM

- ▶ Body: Steel, Weld-on, Mill
- ▶ Yoke: Steel, Weld-on, Mill
- ▶ Set includes one self-closing hinge and one dummy hinge (HDBY-SWM-SWM)



HDBY-SWM-SWM

- ▶ Body: Steel, Weld-on, Mill
- ▶ Yoke: Steel, Weld-on, Mill
- ▶ Body fits round or square profile
- ▶ Gap Min: 2.6"
- ▶ Gap Max: 3.0"
- ▶ Hinge Height: 4.1"
- ▶ Weight: 2.3 lbs each



HDBY-ABB-ABB

- ▶ Body: Alum, Bolt-on, Blk
- ▶ Yoke: Alum, Bolt-on, Blk
- ▶ Gap Min: 2.7"
- ▶ Gap Max: 3.2"
- ▶ Vertical Adjustability: 0.75"
- ▶ Height: 7.2"
- ▶ Weight: 1.5 lbs each



HDBY-ABB-SBB

- ▶ Body: Alum, Bolt-on, Blk
- ▶ Yoke: Steel, Bolt-on, Blk
- ▶ Gap Min: 3.0"
- ▶ Gap Max: 3.5"
- ▶ Hinge Height: 6.5"
- ▶ Weight: 2.5 lbs each



HDBY-ABM-ABM

- ▶ Body: Alum, Bolt-on, Mill
- ▶ Yoke: Alum, Bolt-on, Mill
- ▶ Gap Min: 2.7"
- ▶ Gap Max: 3.2"
- ▶ Vertical Adjustability: 0.75"
- ▶ Height: 7.2"
- ▶ Weight: 1.5 lbs each

**HDBY-ABM-SBM**

- ▶ Body: Alum, Bolt-on, Mill
- ▶ Yoke: Steel, Bolt-on, Mill
- ▶ Gap Min: 3.0"
- ▶ Gap Max: 3.5"
- ▶ Hinge Height: 6.5"
- ▶ Weight: 2.5 lbs each

**HDBY-ABM-AWM**

- ▶ Body: Alum, Bolt-on, Mill
- ▶ Yoke: Alum, Weld-on, Mill
- ▶ Gap Min: 2.7"
- ▶ Gap Max: 3.2"
- ▶ Hinge Height: 6.5"
- ▶ Weight: 1.4 lbs each

**HDBY-ABM-SWM**

- ▶ Body: Alum, Bolt-on, Mill
- ▶ Yoke: Steel, Weld-on, Mill
- ▶ Gap Min: 2.8"
- ▶ Gap Max: 3.3"
- ▶ Hinge Height: 6.5"
- ▶ Weight: 1.9 lbs each

**HDBY-AWM-ABB**

- ▶ Body: Alum, Weld-on, Mill
- ▶ Yoke: Alum, Bolt-on, Blk
- ▶ Gap Min: 2.4"
- ▶ Gap Max: 2.9"
- ▶ Vertical Adjustability: 0.75"
- ▶ Height: 7.2"
- ▶ Weight: 1.3 lbs each

**HDBY-AWM-AWM**

- ▶ Body: Alum, Weld-on, Mill
- ▶ Yoke: Alum, Weld-on, Mill
- ▶ Gap Min: 2.4"
- ▶ Gap Max: 2.9"
- ▶ Hinge Height: 4.1"
- ▶ Weight: 1.1 lbs each

**HDBY-ABB-AWM**

- ▶ Body: Alum, Bolt-on, Blk
- ▶ Yoke: Alum, Weld-on, Mill
- ▶ Gap Min: 2.7"
- ▶ Gap Max: 3.2"
- ▶ Hinge Height: 6.5"
- ▶ Weight: 1.4 lbs each

**HDBY-ABB-SWM**

- ▶ Body: Alum, Bolt-on, Blk
- ▶ Yoke: Steel, Weld-on, Mill
- ▶ Gap Min: 2.8"
- ▶ Gap Max: 3.3"
- ▶ Hinge Height: 6.5"
- ▶ Weight: 1.9 lbs each



HDBY-AWM-SBM

- ▶ Body: Alum, Weld-on, Mill
- ▶ Yoke: Steel, Bolt-on, Mill
- ▶ Gap Min: 2.7"
- ▶ Gap Max: 3.2"
- ▶ Hinge Height: 6.5"
- ▶ Weight: 2.3 lbs each



HDBY-AWM-SWM

- ▶ Body: Alum, Weld-on, Mill
- ▶ Yoke: Steel, Weld-on, Mill
- ▶ Gap Min: 2.5"
- ▶ Gap Max: 3.0"
- ▶ Hinge Height: 4.1"
- ▶ Weight: 1.6 lbs each



HDBY-SBB-ABB

- ▶ Body: Steel, Bolt-on, Blk
- ▶ Yoke: Alum, Bolt-on, Blk
- ▶ Gap Min: 2.7"
- ▶ Gap Max: 3.2"
- ▶ Vertical Adjustability: 0.75"
- ▶ Hinge Height: 7.2"
- ▶ Weight: 2.7 lbs each



HDBY-SBB-AWM

- ▶ Body: Steel, Bolt-on, Blk
- ▶ Yoke: Alum, Weld-on, Mill
- ▶ Gap Min: 2.7"
- ▶ Gap Max: 3.2"
- ▶ Hinge Height: 6.5"
- ▶ Weight: 2.5 lbs each



HDBY-SBB-SBB

- ▶ Body: Steel, Bolt-on, Blk
- ▶ Yoke: Steel, Bolt-on, Blk
- ▶ Gap Min: 3.0"
- ▶ Gap Max: 3.5"
- ▶ Height: 6.5"
- ▶ Weight: 3.7 lbs each



HDBY-SBB-SWM

- ▶ Body: Steel, Bolt-on, Blk
- ▶ Yoke: Steel, Weld-on, Mill
- ▶ Gap Min: 2.8"
- ▶ Gap Max: 3.3"
- ▶ Hinge Height: 6.5"
- ▶ Weight: 3.0 lbs each



HDBY-SBM-ABM

- ▶ Body: Steel, Bolt-on, Mill
- ▶ Yoke: Alum, Bolt-on, Mill
- ▶ Gap Min: 2.7"
- ▶ Gap Max: 3.2"
- ▶ Vertical Adjustability: 0.75"
- ▶ Hinge Height: 7.2"
- ▶ Weight: 2.7 lbs each



HDBY-SBM-AWM

- ▶ Body: Steel, Bolt-on, Mill
- ▶ Yoke: Alum, Weld-on, Mill
- ▶ Gap Min: 2.7"
- ▶ Gap Max: 3.2"
- ▶ Hinge Height: 6.5"
- ▶ Weight: 2.5 lbs each



HDBY-SBM-SBM

- ▶ Body: Steel, Bolt-on, Mill
- ▶ Yoke: Steel, Bolt-on, Mill
- ▶ Gap Min: 3.1"
- ▶ Gap Max: 3.5"
- ▶ Height: 6.5"
- ▶ Weight: 3.7 lbs each

**HDBY-SBM-SWM**

- ▶ Body: Steel, Bolt-on, Mill
- ▶ Yoke: Steel, Weld-on, Mill
- ▶ Gap Min: 2.8"
- ▶ Gap Max: 3.3"
- ▶ Hinge Height: 6.5"
- ▶ Weight: 3.0 lbs each

**HDBY-SWM-ABB**

- ▶ Body: Steel, Weld-on, Mill
- ▶ Yoke: Alum, Bolt-on, Blk
- ▶ Body fits round or square profile
- ▶ Gap Min: 2.5"
- ▶ Gap Max: 3.0"
- ▶ Vertical Adjustability: 0.75"
- ▶ Hinge Height: 7.2"
- ▶ Weight: 2.0 lbs each

**HDBY-SWM-ABM**

- ▶ Body: Steel, Weld-on, Mil
- ▶ Yoke: Alum, Bolt-on, Mill
- ▶ Body fits round or square profile
- ▶ Gap Min: 2.5"
- ▶ Gap Max: 3.0"
- ▶ Vertical Adjustability: 0.75"
- ▶ Hinge Height: 7.2"
- ▶ Weight: 2.0 lbs each

**HDBY-SWM-SBB**

- ▶ Body: Steel, Weld-on, Mill
- ▶ Yoke: Steel, Bolt-on, Blk
- ▶ Body fits round or square profile
- ▶ Gap Min: 2.8"
- ▶ Gap Max: 3.3"
- ▶ Hinge Height: 6.5"
- ▶ Weight: 3.0 lbs each

**HDBY-SWM-AWM**

- ▶ Body: Steel, Weld-on, Mill
- ▶ Yoke: Alum, Weld-on, Mill
- ▶ Body fits round or square profile
- ▶ Gap Min: 2.5"
- ▶ Gap Max: 3.0"
- ▶ Height: 4.1"
- ▶ Weight: 1.8 lbs each

**HDBY-AWM-ABM**

- ▶ Body: Alum, Weld-on, Mill
- ▶ Yoke: Alum, Bolt-on, Mill
- ▶ Gap Min: 2.4"
- ▶ Gap Max: 2.9"
- ▶ Vertical Adjustability: 0.75"
- ▶ Height: 7.2"
- ▶ Weight: 1.2 lbs each

**HDBY-SWM-SBM**

- ▶ Body: Steel, Weld-on, Mill
- ▶ Yoke: Steel, Bolt-on, Mill
- ▶ Body fits round or square profile
- ▶ Gap Min: 2.8"
- ▶ Gap Max: 3.3"
- ▶ Hinge Height: 6.5"
- ▶ Weight: 3.0 lbs each

**HDBY-AWM-SBB**

- ▶ Body: Alum, Weld-on, Mill
- ▶ Yoke: Steel, Bolt-on, Blk
- ▶ Gap Min: 2.7"
- ▶ Gap Max: 3.2"
- ▶ Hinge Height: 6.5"
- ▶ Weight: 2.3 lbs each



HEAVY-DUTY ESTATE GATE HINGE

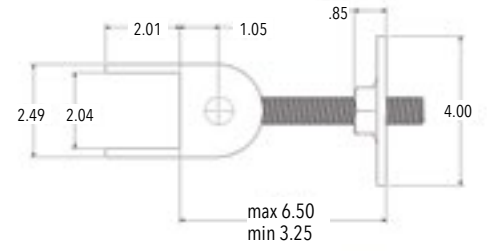
- ▶ Horizontal adjustability
- ▶ Has an aluminum block for welding
- ▶ Acetal bushing
- ▶ Stainless steel hinge pin
- ▶ Zinc plated steel mounting plate.
- ▶ Fits 2" or 2-1/2" size gate frame.
- ▶ Ships unassembled (weld block to gate, then assemble)

CASE QTY	WEIGHT
12	40 lbs

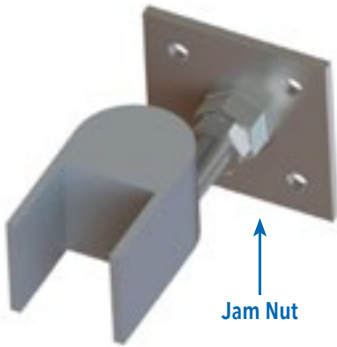
NW6218 Mill (2")
 NW6218-BK Black (2")
 NW6218-25 Mill (2-1/2")



*Rotating Nut Design that adjusts without removing the gate



Swivel Nut



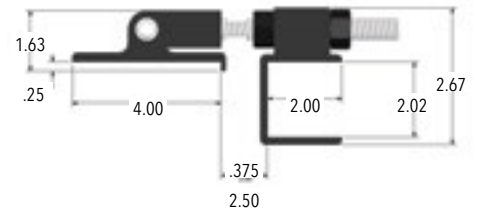
NW6318S-20* (2")
 NW6318S-20H* (2") w/mounting holes
 NW6318S-25* (2-1/2")
 NW6318S-25H* (2-1/2) w/mounting holes

HEAVY-DUTY ESTATE GATE HINGE WITH ADJUSTABILITY

- ▶ Fits 2" gate frames and posts 4" or larger
- ▶ Aluminum and stainless steel construction
- ▶ Great strength, and horizontal adjustability

CASE QTY	WEIGHT
8	28 lbs

NW6242-B-BK Black Bolt-on (bolts included)



BARREL HINGES



3/8" Commercial Chain Link

- ▶ 1" Barrel O.D Black
- ▶ 4" J-Bolt

CASE QTY	WEIGHT
40	78 lbs

WI-BH4JB



Barrel Hinge w/Grease Fitting

- ▶ 1-1/4" Barrel O.D. Black
- ▶ 6" Barrel

CASE QTY	WEIGHT
18	50 lbs

WI-BH-6



Barrel Hinge w/Grease Fitting

- ▶ 1-1/2" Barrel O.D. Black
- ▶ 1/2" offset

CASE QTY	WEIGHT
12	50 lbs

WI-BH-6H-1

HEAVY-DUTY BLOCK HINGE FOR ALUMINUM GATE

- ▶ Aluminum
- ▶ Beveled corners, designed to be welded
- ▶ Brass bushings and heavy-duty stainless steel pin
- ▶ No grease required

CASE QTY	WEIGHT
18	45 lbs

NW6189 (WI-BH)

- ▶ Aluminum to steel block

CASE QTY	WEIGHT
10	30 lbs

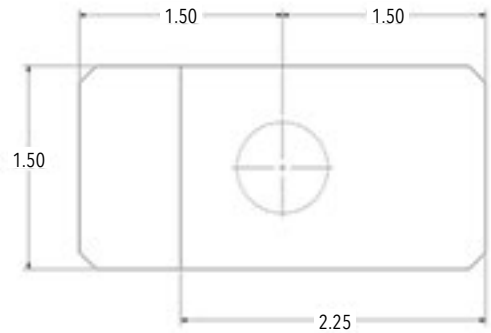
WI-BH-SA



- ▶ Steel to steel block

CASE QTY	WEIGHT
10	60 lbs

WI-BH-STEEL

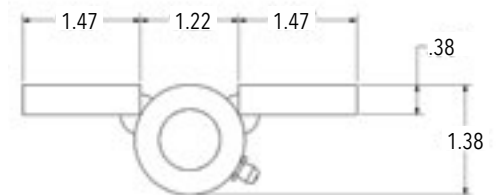
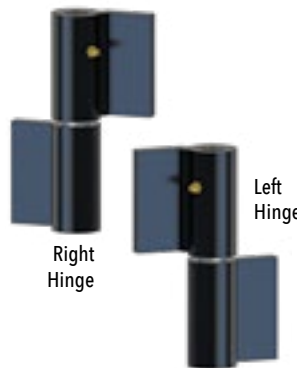


HEAVY-DUTY STEEL BARREL HINGE

- ▶ Contains grease fitting
- ▶ Steel power coated

CASE QTY	WEIGHT
6	22 lbs

NW6215R-BK Black
NW6215L-BK Black

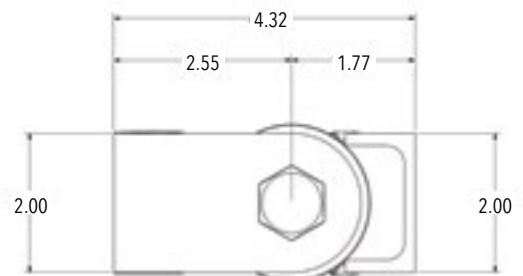


LARGE HEAVY-DUTY BALL BEARING HINGE

- ▶ Zinc plated steel
- ▶ Sealed ball bearings
- ▶ No grease required
- ▶ 4" tall

CASE QTY	WEIGHT
12	44 lbs

NW6229



2" SQUARE STEEL UNIVERSAL BRACKET



CASE QTY	WEIGHT
50 pair	31 lbs

NW6328

2" SQUARE STEEL LINE BRACKET WITH FASTENERS, BLACK

CASE QTY	WEIGHT
50	31 lbs

NW6329



1" UNIVERSAL FLAT WALL MOUNT BRACKET, WITH FASTENERS



CASE QTY
100 pair

NW6330

STAINLESS STEEL GRAVITY LATCH

- ▶ Pad-lockable on one side
- ▶ Stainless steel screws included

CASE QTY	WEIGHT
50	28 lbs

NW38204SSB Black
 NW38204SSW White
 NW38204SSM Mill
 NW38204-SS-BZ Bronze



HIDDEN SPRING LATCHES



- ▶ Suitable for 1-1/4" – 2-1/2" gate frames
- ▶ Can be used for Double Drive Gates
- ▶ Pad-Lockable on both sides

CASE QTY	WEIGHT
20	25 lbs

NW6283-SSBD Black w/stainless steel self-drilling screws included
 NW6283-SSWD White w/stainless steel self-drilling screws included

FLIP LATCH

- ▶ Commercial grade
- ▶ Pad-lockable
- ▶ Zinc plated steel with black powder coated finish
- ▶ Stainless steel through-bolts

CASE QTY	WEIGHT
10	37 lbs

NW6169-BK Black

- ▶ Teflon Coated
- ▶ Pad-lockable

CASE QTY	WEIGHT
12	56 lbs

WI-DGFL Black



FULCRUM LATCH

2 1/2" POST SIZE

WI-FL-2-1/2
WI-FL-2-1/2-BK

CASE QTY	WEIGHT
6	22 lbs

▶ 4" POST SIZE

WI-FL-4
WI-FL-4-BK

- ▶ Heavy-duty Latch for Large Single Swing Gates
- ▶ Fits 2" Gate Frames

CASE QTY	WEIGHT
6	24 lbs

3" POST SIZE

WI-FL-3
WI-FL-3-BK

CASE QTY	WEIGHT
6	24 lbs

6-5/8" POST SIZE

WI-FL-6-5/8
WI-FL-6-5/8-BK

CASE QTY	WEIGHT
6	40 lbs



MAGNETIC SIDE PULL SPL 100 LATCH

- ▶ Designed for small gates
- ▶ Stainless steel screws included
- ▶ Screws hidden by cover plates
- ▶ Fits 1 1/4" or larger profile

CASE QTY	WEIGHT
20	8 lbs

SPL100-SD-BK

Side Pull Latches Require a Gate Bumper: NW6237-BK on pg 85



STEEL POST CAPS

- ▶ 2" Stamped steel

CASE QTY	WEIGHT
250	36 lbs

NW6210-BK Black

- ▶ 2.5" Stamped steel

CASE QTY	WEIGHT
100	17 lbs

NW6211-BK Black

- ▶ 3" Stamped steel

CASE QTY	WEIGHT
100	29 lbs

NW6212-BK Black

- ▶ 4" Stamped steel

CASE QTY	WEIGHT
50	26 lbs

NW6213-BK Black



NW6210-BK Black



NW6213-BK Black

TRADITIONAL POST CAP - PRESS FIT

ZINC

NW220-MI Mill
 ▶ 2" Zinc die cast

CASE QTY	WEIGHT
250	39 lbs

NW244-MI Mill
 ▶ 2.5" Zinc die cast

CASE QTY	WEIGHT
120	25 lbs

ALUMINUM

NW6099-MI Mill
 NW6099-BK Black
 NW6099-WH White
 ▶ 2" Aluminum die cast

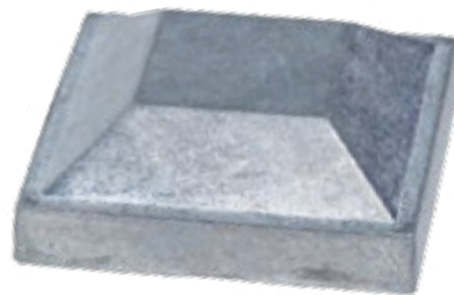
CASE QTY	WEIGHT
250	22 lbs

NW6098-SBL Mill
 NW6098-BK Black
 NW6098-BZ Bronze
 ▶ 3" Aluminum die cast

CASE QTY	WEIGHT
100	23 lbs

NW6084-MI Mill
 NW6084-BK Black
 ▶ 4" Aluminum die cast

CASE QTY	WEIGHT
100	35 lbs



MODERN POST CAP - PRESS FIT

CUSTOM LOGOS AVAILABLE

(CONTACT YOUR SALES REPRESENTATIVE FOR MORE INFORMATION)

▶ 2" Aluminum Post Cap
 ▶ Shorter lip than the NW230NL Series

CASE QTY	WEIGHT
250	22 lbs

WI-IPC-200 Mill

▶ 2" Aluminum die cast

CASE QTY	WEIGHT
250	22 lbs

NW230NL-SBL Mill
 NW230NL-26 Black
 NW230NL-36 Bronze
 NW230NL-BZ2 Lt. Bronze
 NW230NL-56 White

▶ 2.5" Aluminum Post Cap
 ▶ Shorter lip than the NW240NL

CASE QTY	WEIGHT
320	39 lbs

WI-IPC-250 Mill

▶ 2.5" Aluminum die cast

CASE QTY	WEIGHT
300	41 lbs

NW240NL-SBL Mill
 NW240NL-26 Black
 NW240NL-36 Bronze
 NW240NL-56 White

▶ 3" Aluminum Post Cap

CASE QTY	WEIGHT
300	39 lbs

WI-IPC-300 Mill

▶ 4" Aluminum Post Cap

CASE QTY	WEIGHT
144	39 lbs

WI-IPC-400 Mill

▶ 1.5" Aluminum Post Cap
 ▶ Shorter lip than the NW291

CASE QTY	WEIGHT
500	25 lbs

WI-IPC-150 Mill

▶ 1.5" Aluminum die cast
 ▶ Colors available with special order

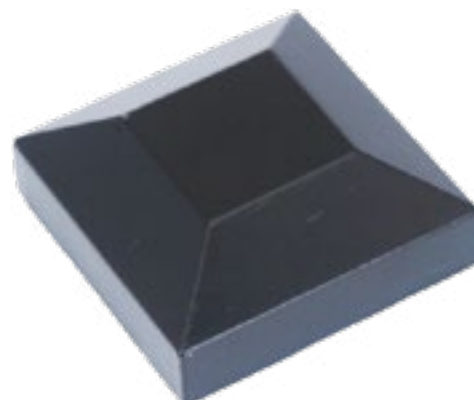
CASE QTY	WEIGHT
500	27 lbs

NW291-SBL Mill

▶ 6" Aluminum die cast
 ▶ Sandblast finish

CASE QTY	WEIGHT
50	47 lbs

NW6276-SBL Mill
 NW6276-BK Black



PLASTIC

▶ 2" Plastic post cap

CASE QTY	WEIGHT
325	15 lbs

NW6230-BK Black

BALL CAPS - PRESS FIT

CUSTOM LOGOS AVAILABLE
(REQUIRES MINIMUM RUN QUANTITY)

▶ 2" Aluminum die cast - ball cap

CASE QTY	WEIGHT
50	15 lbs

NW6166-MI Mill
NW6166-BK Black
NW6166-BZ Bronze
NW6166-WH White

▶ 2.5" Aluminum die cast - ball cap

CASE QTY	WEIGHT
50	18 lbs

NW6179-SBL Mill
NW6179-BK Black
NW6179-BZ Bronze

▶ 2" Aluminum die cast - Screw Set

CASE QTY	WEIGHT
72	41 lbs

NW242-SBL Mill

▶ 2" Aluminum die cast - Press Fit

CASE QTY	WEIGHT
72	41 lbs

NW242A-MI Mill

▶ Fits a True 2" post
▶ Aluminum die cast - Press Fit

CASE QTY	WEIGHT
72	41 lbs

NW242B-BK Black

▶ 2" Aluminum Die Cast

CASE QTY	WEIGHT
50	51 lbs

WI-IBC-200 Mill

▶ 2.5" Aluminum Die Cast

CASE QTY	WEIGHT
50	46 lbs

WI-IBC-250 Mill
WI-IBC-250-BK Black

THE BALL CAPS BELOW ARE ALSO AVAILABLE WITH HOLE FOR SET SCREWS. WHEN ORDERING: ADD AN "H" AFTER THE NUMBER IN THE PART NUMBER.

Examples: NW6166H-MI Mill
NW6191H-SBL Mill

▶ 3" Aluminum die cast - ball cap

CASE QTY	WEIGHT
50	20 lbs

NW6191-SBL Mill
NW6191-BK Black

▶ 4" Aluminum die cast - ball cap

CASE QTY	WEIGHT
50	42 lbs

NW6193-MI Mill
NW6193-BK Black

▶ 2.5" Aluminum die cast - Press Fit

CASE QTY	WEIGHT
80	43 lbs

NW290A-SBL Mill

▶ 3" Aluminum die cast - Press Fit

CASE QTY	WEIGHT
50	34 lbs

NW6097-SBL Mill

▶ 3" Aluminum Die Cast

CASE QTY	WEIGHT
50	45 lbs

WI-IBC-300 Mill

▶ 4" Aluminum Die Cast

CASE QTY
50

UBC4 Mill



VINYL

METAL

WOOD

CHAIN LINK

SWIVEL BALL BRACKET BASES

1" x 1"

SQUARE DUAL FLANGE WALL MOUNT BRACKET

NW280-SBL Mill
NW280-BK Black

- ▶ 1" x 1"
- ▶ Aluminum die cast

CASE QTY	WEIGHT
500	44 lbs

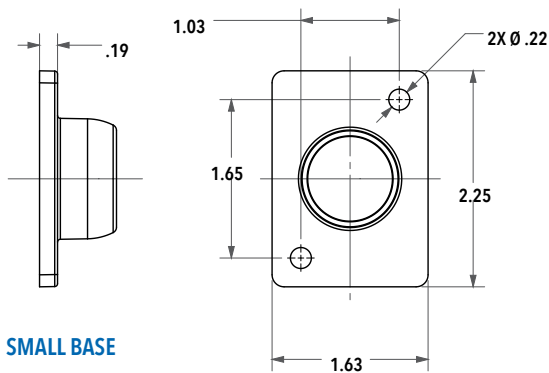


SWIVEL BALL BRACKET

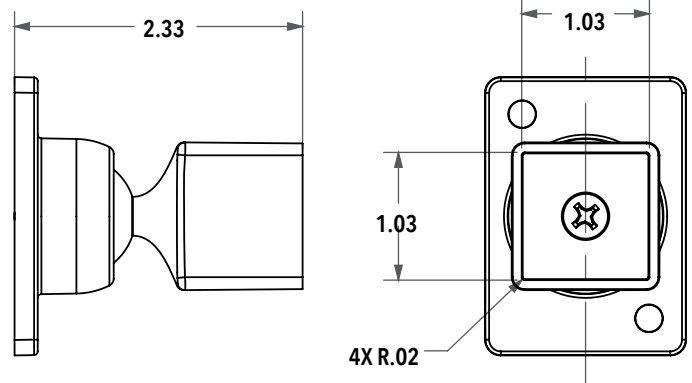
NW6192-SBL Mill
NW6192-BK Black

- ▶ 1" x 1" Small Base
- ▶ Aluminum die cast

CASE QTY	WEIGHT
100	18 lbs



SMALL BASE



1" x 1-1/8"

SINGLE FLANGE WALL MOUNT BRACKET

NW211-MI Mill
▶ 1" x 1-1/8"
▶ Rounded Top Corners
▶ Aluminum die cast

NW211-MI-2 Mill
NW211-BK-2 Black

- ▶ 1" x 1-1/8"
- ▶ Squared in all Corners
- ▶ Aluminum die cast

CASE QTY	WEIGHT
300	38 lbs

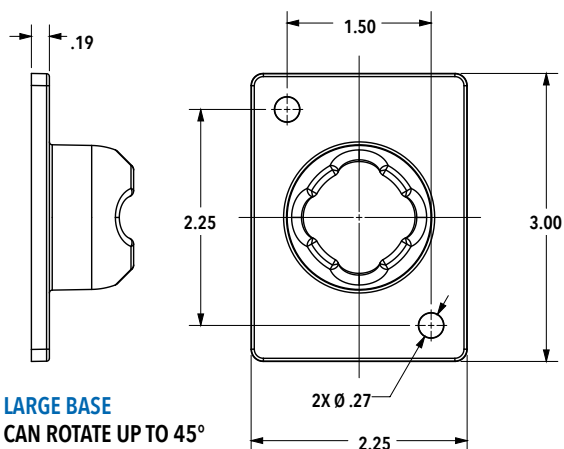


SWIVEL BALL BRACKET

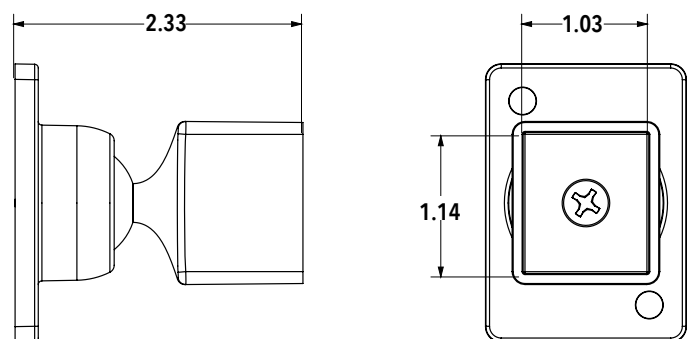
NW6266-SBL Mill
NW6266-BK Black

- ▶ 1" x 1-1/8" Small Base
- ▶ Aluminum die cast

CASE QTY	WEIGHT
100	19 lbs



LARGE BASE
CAN ROTATE UP TO 45°



1" x 1-1/2"

SINGLE FLANGE WALL MOUNT BRACKET

NW217-SBL Mill
 ▶ 1" x 1 1/2"
 ▶ Aluminum die cast

CASE QTY	WEIGHT
240	44 lbs



SWIVEL BALL BRACKET

NW6239-SBL Mill
 ▶ 1" x 1 1/2" Small Base
 ▶ Aluminum die cast

CASE QTY	WEIGHT
100	21 lbs

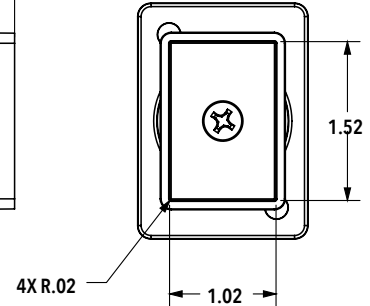
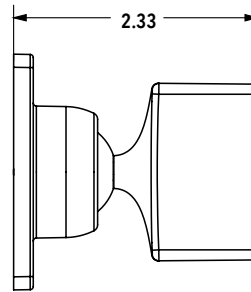


Turn and angle in any direction

RECTANGULAR DUAL FLANGE WALL MOUNT BRACKET

NW6167-MI Mill
 ▶ 1" x 1 1/2"
 ▶ Aluminum die cast

CASE QTY	WEIGHT
250	38 lbs



1-1/8" x 1-1/8"

ADJUSTABLE DUAL FLANGE WALL MOUNT BRACKET

NW6075V-BK Black
 NW6075V-BZ Bronze
 NW6075V-WH White
 ▶ 1 1/8" x 1 1/8"
 ▶ Aluminum die cast
 ▶ Adjustable for angle or rake rails

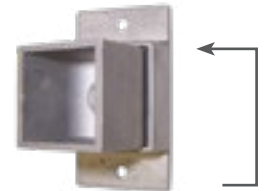
CASE QTY	WEIGHT
100	29 lbs



ADJUSTABLE DUAL FLANGE WALL MOUNT BRACKET

NW6075-SBL Mill
 NW6075-BK Black
 NW6075-BZ Bronze
 NW6075-WH White
 ▶ 1 1/8" x 1 1/8"
 ▶ Aluminum die cast
 ▶ Adjustable for angle or rake rails

CASE QTY	WEIGHT
100	20 lbs



Cup swivels in bracket to desired angle

1-1/4" x 1-1/4"

SINGLE FLANGE WALL MOUNT BRACKET

NW211A-MI Mill
 ▶ 1 1/4" x 1 1/4"
 ▶ Aluminum die cast

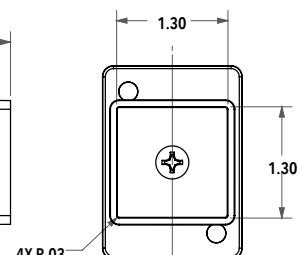
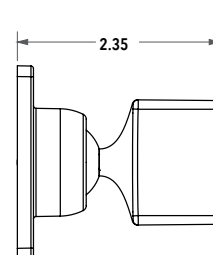
CASE QTY	WEIGHT
300	30 lbs



SWIVEL BALL BRACKET

NW6220-SBL Mill
 NW6220-BK Black
 ▶ 1 1/4" x 1 1/4" Small Base
 ▶ Aluminum die cast

CASE QTY	WEIGHT
300	30 lbs



1-3/8" x 1-3/8"

ADJUSTABLE DUAL FLANGE WALL MOUNT BRACKET

NW6075A-SBL Mill

NW6075A-BK Black

- ▶ 1-3/8" x 1-3/8"
- ▶ Aluminum die cast
- ▶ Adjustable for angle or rake rails



i Note: Any brackets used in railing applications should be tested within the railing system to any applicable codes.

CASE QTY	WEIGHT
100	29 lbs

1-1/2" x 1-1/2"

SINGLE FLANGE WALL MOUNT BRACKET

NW292-SBL Mill

- ▶ 1-1/2" x 1-1/2"
- ▶ Aluminum die cast



CASE QTY	WEIGHT
100	30 lbs

SWIVEL BALL BRACKET

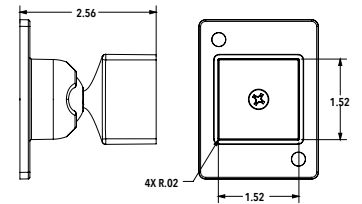
NW6240-SBL Mill

- ▶ 1-1/2" x 1-1/2" large base
- ▶ Aluminum die cast



CASE QTY	WEIGHT
100	35 lbs

i Bronze now comes in 2 shades. BZ or (-36) is standard dark bronze. BZ2 is a lighter bronze. Check for availability or minimum order quantity.



1" x 2"

RECTANGULAR DUAL FLANGE RAIL MOUNT BRACKET

NW6233-SBL Mill

- ▶ Accommodates a 1" x 2" rail
- ▶ Dual Flange Wall Mount
- ▶ Aluminum die cast



CASE QTY	WEIGHT
100	13 lbs

RECTANGULAR SINGLE FLANGE RAIL MOUNT BRACKET

NW6241-SBL Mill

- ▶ Accommodates a 1" x 2" rail
- ▶ Aluminum die cast
- ▶ Top/bottom mounting holes



CASE QTY	WEIGHT
200	24 lbs

FLAT WALL MOUNT BRACKET

WI-SL1X2

CASE QTY	WEIGHT
168	30 lbs



2-1/8" x 1-1/8"

FLAT WALL MOUNT BRACKET

WI-SL2X1-B

CASE QTY	WEIGHT
216	41 lbs

**FLAT WALL MOUNT BRACKET**

WI-SL2X1-S

CASE QTY	WEIGHT
200	32 lbs



1" x 1-5/8"

ROUND SINGLE FLANGE WALL MOUNT BRACKET

NW6238-SBL Mill

- ▶ 1" x 1-5/8"
- ▶ Aluminum die cast

CASE QTY	WEIGHT
300	52 lbs



1-5/8" x 1-5/8"

SQUARE DUAL FLANGE WALL MOUNT BRACKET

- ▶ NW243-SBL Mill
- ▶ NW243-BK Black
- ▶ NW243-WH White
- ▶ NW243-BZ Bronze
- ▶ NW243-TBK Textured Black
- ▶ 1-5/8" x 1-5/8"
- ▶ Aluminum die cast

CASE QTY	WEIGHT
240	47 lbs



SWIVEL BALL BRACKET

- NW6217-BK Black
- ▶ 1-5/8" x 1-5/8" large base
- ▶ Aluminum die cast

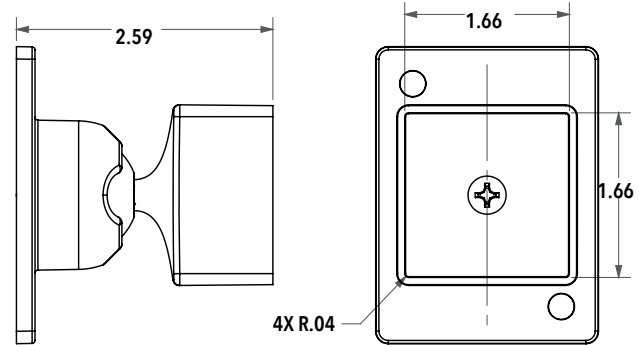
CASE QTY	WEIGHT
100	22 lbs



ADJUSTABLE DUAL FLANGE WALL MOUNT BRACKET

- NW279-SBL Mill Cup
- NW279BP-SBL Mill Base Plate
- ▶ 1-5/8" x 1-5/8"
- ▶ Aluminum die cast
- ▶ Adjustable for angle or rake rails

CASE QTY	WEIGHT
100	29 lbs



The 1-5/8" x 1-5/8" Wall Mount Bracket needs both the Cup and Base Plate and must be ordered together.

1-3/4" x 1-3/4"

STRAIGHT WALL MOUNT BRACKET

- NW6247-SBL Mill
- NW6247-BK Black*
- NW6247-BZ Bronze*
- NW6247-WH White*
- ▶ 1-3/4" x 1-3/4"
- ▶ Aluminum die cast

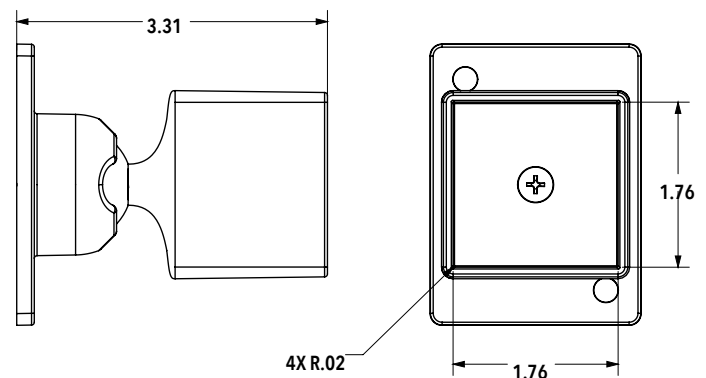
CASE QTY	WEIGHT
150	34 lbs



SWIVEL BALL BRACKET

- NW6235-SBL Mill
- NW6235-BK Black*
- NW6235-BZ Bronze*
- NW6235-WH White*
- ▶ 1-3/4" x 1-3/4" large base
- ▶ Aluminum die cast

CASE QTY	WEIGHT
100	43 lbs



All Painted Swivel Ball and Adjustable Brackets are Assembled

VINYL

METAL

WOOD

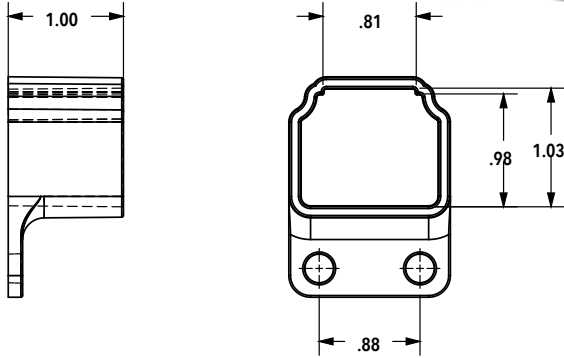
CHAIN LINK

DECO BRACKETS

RESIDENTIAL STRAIGHT WALL BRACKET

NW6226-SBL Mill
 NW6226-BK Black
 NW6226-BZ Bronze*
 NW6226-WH White*
 ▶ Aluminum die cast

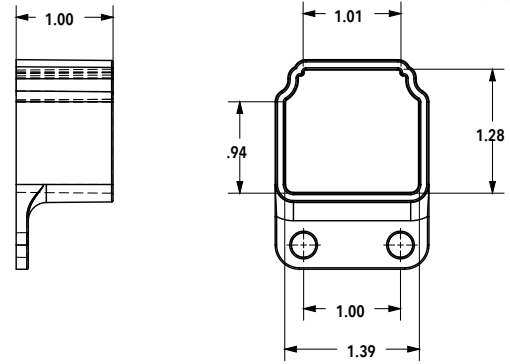
CASE QTY	WEIGHT
350	19 lbs



COMMERCIAL STRAIGHT WALL BRACKET

NW6227-SBL Mill
 NW6227-BK Black
 NW6227-BZ Bronze*
 NW6227-WH White*
 ▶ Aluminum die cast

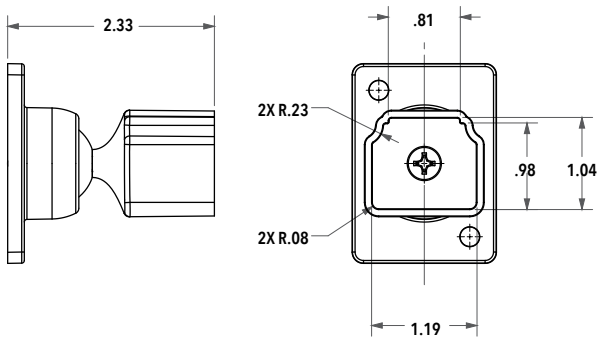
CASE QTY	WEIGHT
350	23 lbs



RESIDENTIAL SWIVEL BALL BRACKET

NW6195-SBL Mill
 NW6195-BK Black
 NW6195-BZ Bronze*
 NW6195-WH White*
 ▶ Small Base
 ▶ Aluminum die cast

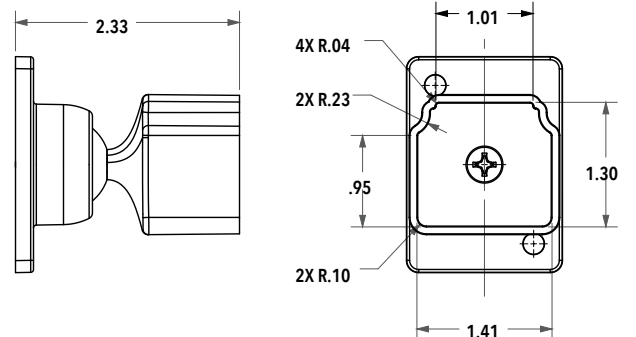
CASE QTY	WEIGHT
100	19 lbs



COMMERCIAL SWIVEL BALL BRACKET

NW6228-SBL Mill
 NW6228-BK Black
 NW6228-BZ Bronze*
 NW6228-WH White*
 ▶ Small Base
 ▶ Aluminum die cast

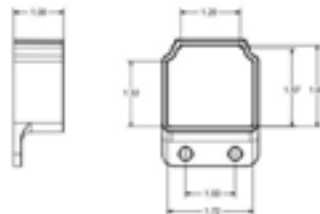
CASE QTY	WEIGHT
100	16 lbs



INDUSTRIAL STRAIGHT WALL BRACKET

NW6309-SBL Mill
 NW6309-BK Black
 ▶ Aluminum die cast

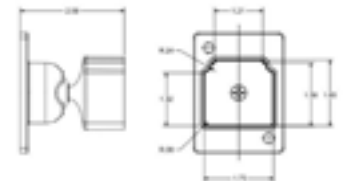
CASE QTY	WEIGHT
250	27 lbs



INDUSTRIAL SWIVEL BALL BRACKET

NW6308-SBL Mill
 NW6308-BK Black
 ▶ Aluminum die cast

CASE QTY	WEIGHT
100	34 lbs



BREAD LOAF RAIL BRACKETS

NW6258-SBL Mill
NW6258-BK Black
▶ Aluminum die cast



CASE QTY	WEIGHT
100	44 lbs

BLACK FINISH

NW6259-SBL Mill
NW6259-BK Black



CASE QTY	WEIGHT
150	25 lbs

MILL FINISH

PATIO RAILING BRACKETS

'V' FLANGE WALL MOUNT BRACKET

NW272-36 Bronze
NW272-56 White
NW272-76 Mill
▶ Accepts both bottom channel & snap plate
▶ 1" x 1-13/16" opening
▶ Aluminum die cast



CASE QTY	WEIGHT
280	42 lbs

RECTANGULAR DUAL FLANGE WALL MOUNT BRACKET

NW268-36 Bronze
NW268-56 White
NW268-76 Mill
▶ Accommodates a 1" x 1-7/8" rail
▶ Aluminum die cast
▶ Accepts both bottom channel and snap plate



CASE QTY	WEIGHT
168	50 lbs

MUSHROOM SINGLE FLANGE MOUNT BRACKET

NW270-36 Bronze
NW270-56 White
NW270-76 Mill
▶ Accommodates a 1-5/8" x 2-5/8" rail O.D.
▶ Aluminum die cast



CASE QTY	WEIGHT
160	47 lbs

MUSHROOM RAILING END CAP

NW269-36 Bronze
NW269-56 White
NW269-76 Mill
▶ Accommodates a 1-5/8" x 2-1/4" rail I.D.
▶ Aluminum die cast



CASE QTY	WEIGHT
300	47 lbs

ROUND TOP SINGLE FLANGE MOUNT BRACKET

NW271-26 Black
NW271-36 Bronze
NW271-56 White
NW271-76 Mill
▶ Accommodates a 1-5/8" x 2" rail O.D.
▶ Aluminum die cast



CASE QTY	WEIGHT
210	43 lbs

ROUND TOP RAILING END CAP

NW267-36 Bronze
NW267-56 White
NW267-76 Mill
▶ Accommodates a 1-1/4" x 1-3/4" rail I.D.
▶ Aluminum die cast



CASE QTY	WEIGHT
300	40 lbs

FLOOR MOUNT ALUMINUM DIE CAST

NW273-36 Bronze
NW273-56 White
NW273-76 Mill
▶ Accommodates a 1-7/8" x 1-1/2" post
▶ Profile height: 1-3/4"
▶ Flange: 4-3/8" x 4-3/8"



CASE QTY	WEIGHT
45	41 lbs

VINYL

METAL

WOOD

CHAIN LINK

FLOOR MOUNTS

All Floor Mount Brackets are Aluminum Die Cast

- ▶ Accommodates a 2" x 2" post
- ▶ Profile height: 1-3/4"
- ▶ Flange: 4-3/8" x 4-3/8"

CASE QTY	WEIGHT
50	44 lbs

NW302-MI Mill
 NW302H-MI Mill with hole for set screw
 NW302-26 Black
 NW302-36 Bronze
 NW302-56 White

- ▶ Accommodates a 2-1/2" x 2-1/2" post
- ▶ Profile height: 1-3/4"
- ▶ Flange: 4-7/8" x 4-7/8"

CASE QTY	WEIGHT
40	44 lbs

NW6187H-MI Mill with hole for set screw
 NW6187H-BK Black with hole for set screw
 NW6187H-BZ Bronze with hole for set screw

- ▶ Accommodates a 3" x 3" post
- ▶ Profile height: 1-3/4"
- ▶ Flange: 5-3/8" x 5-3/8"

CASE QTY	WEIGHT
20	38 lbs

NW6173H-MI Mill with hole for set screw
 NW6173H-BK Black with hole for set screw



PREMIUM FLOOR MOUNT BRACKETS



- ▶ Accommodates 2" posts
- ▶ Aluminum die cast
- ▶ OD: 5" x 1.72" high

CASE QTY	WEIGHT
50	60 lbs

NW6248-SBL Mill



- NW6248/49PLUGBK Black
- ▶ Bolt Hole Cover for Premium Floor Mounts
 - ▶ Each - Order amount needed

ONE PIECE COVER PLATE

- ▶ Accommodates a 2" x 2" post
- ▶ Profile height: 1-7/8"
- ▶ OD: 4-3/4" x 4-3/4"
- ▶ Fits Over NW302

CASE QTY	WEIGHT
50	25 lbs

NW6197-SBL Mill
NW6197-BK Black



- ▶ Accommodates a 2-1/2" x 2-1/2" post
- ▶ Profile height: 1-7/8"
- ▶ OD: 5-1/4" x 5-1/4"
- ▶ Fits Over NW6187

CASE QTY	WEIGHT
50	29 lbs

NW6198-SBL Mill
NW6198-BK Black

- ▶ Accommodates a 3" x 3" post
- ▶ Profile height: 1-7/8"
- ▶ OD: 5-21/32" x 5-21/32"
- ▶ Fits Over NW6173

CASE QTY	WEIGHT
50	32 lbs

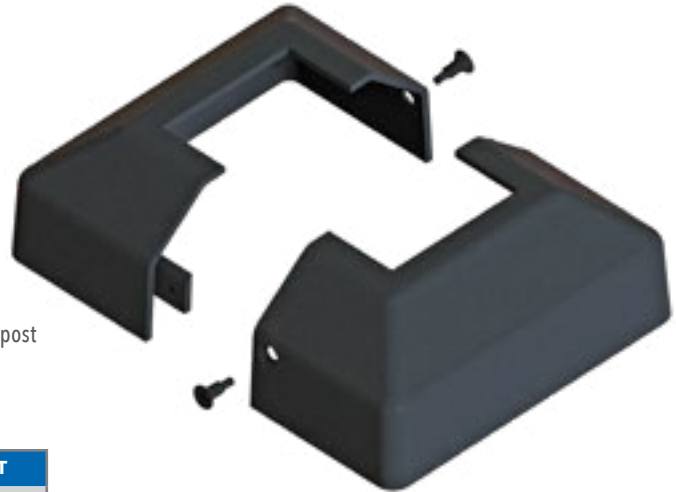
NW6190-MI Mill
NW6190-BK Black

TWO PIECE COVER PLATE

- ▶ Accommodates a 2" x 2" post
- ▶ Profile height: 7/8"
- ▶ Flange: 4-3/4" x 4-3/4"
- ▶ Fits Over NW302

CASE QTY	WEIGHT
50	24 lbs

NW6243-SBL Mill
NW6243-BK Black



- ▶ Accommodates a 3" x 3" post

CASE QTY	WEIGHT
50	27 lbs

NW6288-SBL Mill
NW6288-BK Black

- ▶ Accommodates a 2-1/2" x 2-1/2" post
- ▶ Profile height: 1.9"
- ▶ Flange: 5-1/5" x 5-1/5"
- ▶ Fits Over NW6187

CASE QTY	WEIGHT
50	29 lbs

NW6269-SBL Mill
NW6269-BK Black

TWO PIECE "CORE" COVER PLATE

Hides Concrete Residue

- ▶ Accommodates a 2" x 2" post
- ▶ Profile height: 7/8"
- ▶ OD: 4-5/8" x 4-5/8"

CASE QTY	WEIGHT
100	22 lbs

NW6257-SBL Mill
NW6257-BK Black

- ▶ Accommodates a 2-1/2" x 2-1/2" post
- ▶ Profile height: 7/8"
- ▶ OD: 5-1/8" x 5-1/8"

CASE QTY	WEIGHT
100	20 lbs

NW6263-SBL Mill
NW6263-BK Black

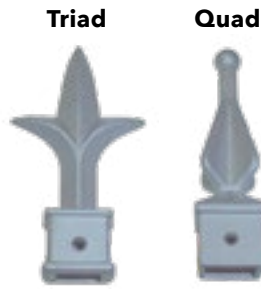




NW233PF, NW234PF
NW235PF, NW236PF



NW212, NW213,
NW245, NW246, NW249
NW250, NW251, NW252



NW233, NW234
NW235, NW236



SLIM LINE NW6200, NW6201,
NW6202, NW6203, NW6204,
NW6205, NW6206, NW6207

ITEM NO	STYLE	WITH HOLE	PRESS FIT or SLIP-ON	MATERIAL	OPTIMUM PICKET O.D.	QTY/CASE	WEIGHT /CASE
5/8"							
NW233-MI	Triad	Y	SO	Aluminum	0.635	300	42
NW233PF-SBL	Triad	N	PF	Aluminum	0.600	300	42
NW233PFH-SBL	Triad	Y	PF	Aluminum	0.600	300	42
NW235-SBL	Quad	Y	SO	Aluminum	0.635	300	45
NW235PF-SBL	Quad	N	PF	Aluminum	0.600	300	45
NW235PFH-SBL	Quad	Y	PF	Aluminum	0.600	300	45
NW6202-SBL	Quad	N	SO	Aluminum	0.600	300	23
NW6202H-SBL	Quad	Y	SO	Aluminum	0.600	300	23
NW6202HA-SBL	Quad	Y	SO	Aluminum	0.625	300	23
NW6202PFTS-SBL	Quad	N	PF	Aluminum	0.600	300	23
NW6206-SBL	Triad	N	SO	Aluminum	0.600	300	23
NW6206H-SBL	Triad	Y	SO	Aluminum	0.600	300	23
NW6206PFTS-SBL	Triad	N	PF	Aluminum	0.600	300	23
NW212-MI	Quad	N	PF	Zinc	0.600	250	42
NW213-MI	Triad	N	SO	Zinc	0.600	250	42
NW6231-SBL	Fleur de Lis	N	SO	Aluminum	0.600	300	27
NW6231H-SBL	Fleur de Lis	Y	SO	Aluminum	0.600	300	27
NW6231PFTS-SBL	Fleur de Lis	N	PF	Aluminum	0.600	300	27
NW6253-SBL	Fleur de Lis	N	PF	Aluminum	0.600	300	41
3/4"							
NW234-MI	Triad	Y	SO	Aluminum	0.750	300	51
NW234PF-SBL	Triad	N	PF	Aluminum	0.720	300	51
NW234PFH-SBL	Triad	Y	PF	Aluminum	0.720	300	51
NW234PF75-SBL	Triad	N	PF	Aluminum	0.750	300	51
NW234PFH75-SBL	Triad	Y	PF	Aluminum	0.750	300	51
NW236-SBL	Quad	Y	SO	Aluminum	0.750	300	51
NW236PF-SBL	Quad	N	PF	Aluminum	0.720	300	51
NW236PFH-SBL	Quad	Y	PF	Aluminum	0.720	300	51
NW236PF75-SBL	Quad	N	PF	Aluminum	0.750	300	51
NW236PFH75-SBL	Quad	Y	PF	Aluminum	0.750	300	51
NW6201H-SBL	Quad	Y	SO	Aluminum	0.720	300	26
NW6201PFTS-SBL	Quad	N	PF	Aluminum	0.750	300	26

Fleur de Lis



NW6231, NW6232



NW6253



NW6277-SBL

Mill Finish On All Finials. Some Finials May Be Special Order. Please Contact Customer Service for Availability. When ordering Color, Substitute the MI or SBL in the Item No. with BK (Black), BZ (Bronze), BZZ (Bronze), or WH (White).

ITEM NO	STYLE	HOLE	PRESS FIT or SLIP-ON	MATERIAL	OPTIMUM PICKET O.D.	QTY/CASE	WEIGHT /CASE
3/4" Continued							
NW6205-SBL	Triad	N	SO	Aluminum	0.720	300	28
NW6205H-SBL	Triad	Y	SO	Aluminum	0.720	300	28
NW6205PFTS-SBL	Triad	N	PF	Aluminum	0.750	300	28
NW249-MI	Quad	N	SO	Zinc	0.750	250	49
NW249IT-MI	Quad	N	PF	Zinc	0.750	250	49
NW250IT-MI	Triad	N	PF	Zinc	0.750	250	46
NW250-MI	Triad	N	SO	Zinc	0.750	250	46
NW6232-SBL	Fleur de Lis	N	SO	Aluminum	0.750	300	26
NW6232H-SBL	Fleur de Lis	Y	SO	Aluminum	0.750	300	26
NW6232PFTS-SBL	Fleur de Lis	N	PF	Aluminum	0.750	300	26
1"							
NW6200-SBL	Quad	N	SO	Aluminum	1.00	300	31
NW6200H-SBL	Quad	Y	SO	Aluminum	1.00	300	31
NW6204-SBL	Triad	N	SO	Aluminum	1.00	300	29
NW6204H-SBL	Triad	Y	SO	Aluminum	1.00	300	29
NW245-MI	Quad	N	SO	Zinc	1.00	200	41
NW245IT-MI	Quad	N	PF	Zinc	1.00	200	41
NW246-MI	Triad	N	SO	Zinc	1.00	200	41
NW246IT-MI	Triad	N	PF	Zinc	1.00	200	41
NW6277-SBL	Fleur de Lis	N	SO	Aluminum	1.00	200	42
NW6277H-SBL	Fleur de Lis	Y	SO	Aluminum	1.00	200	42
5/8" X 1"							
NW6203-SBL	Quad	N	SO	Aluminum	.600 x 1.00	300	29
NW6203H-SBL	Quad	Y	SO	Aluminum	.600 x 1.00	300	29
NW6203PFTS-SBL	Quad	N	PF	Aluminum	.600 x 1.00	300	29
NW6207-SBL	Triad	N	SO	Aluminum	.600 x 1.00	300	26
NW6207H-SBL	Triad	Y	SO	Aluminum	.600 x 1.00	300	26
NW6207PFTS-SBL	Triad	N	PF	Aluminum	.625 x 1.00	300	26
NW251-MI	Quad	N	SO	Zinc	.600 x 1.00	200	38
NW252-MI	Triad	N	SO	Zinc	.600 x 1.00	200	38

ALUMINUM INDUSTRIAL DOUBLE 'O' RING

- ▶ Used with 1" Picket system
- ▶ 3.96" Outer Diameter
- ▶ 3.34" Inner Diameter

CASE QTY	WEIGHT
50	35 lbs



NW6334-BK Black

ALUMINUM DECORATIVE SINGLE 'O' RING

- ▶ Used with 3/4" picket system
- ▶ 4" Outer Diameter
- ▶ 3-1/4" Inner Diameter

CASE QTY	WEIGHT
120	40 lbs



NW237A-MI Mill

ALUMINUM DECORATIVE DOUBLE 'O' RING

- NW237DBL-MI Mill
- NW237DBL-26 Black
- NW237DBL-36 Bronze
- ▶ Used with 3/4" picket system
- ▶ Spacing between two rings is .770"
- ▶ 3-7/16" Outer Diameter
- ▶ 2-7/8" Inner Diameter



CASE QTY	WEIGHT
50	24 lbs

3" ALUMINUM RING

- WI-RING-3
- ▶ 100 per case



3-7/8" ALUMINUM RING

- WI-RING-WD
- ▶ 100 per case



5/8" ALUMINUM QUAD RING

WI-4RING



CASE QTY	WEIGHT
45	40 lbs

ALUMINUM DECORATIVE SCROLL

- ▶ Used with 5/8" picket system
- ▶ Fits .600 Profile
- ▶ 3-5/8"(H) x 3-3/4"(W) x 5/8"(D)



CASE QTY	WEIGHT
160	42 lbs

NW241J-SBL Mill

- ▶ Fits .625 Profile

CASE QTY	WEIGHT
200	48 lbs

NW6326-SBL Mill

- ▶ Used with 3/4" picket system
- ▶ Fits .75 Profile

KNUCKLES

- ▶ Aluminum die cast
- ▶ Standard part for welding
- ▶ Add hole for screw mount



CASE QTY	WEIGHT
50	13 lbs

NW6262-SBL Mill - Accommodates 3/4" Picket

CASE QTY	WEIGHT
50	12 lbs

NW6261-SBL Mill - Accommodates 1" Picket

ARBOR COLLAR

- NW6275-SBL
- ▶ 1.5"-2.5" Arbor Collar



CASE QTY	WEIGHT
50	42 lbs

MORTISE LOCKSET BOX

NW214-MI Mill (WI-LB-S)

- ▶ Box is 3-3/8"(H) x 4-7/16"(W) x 2"(D)
- ▶ Welded into gate profile to accommodate traditional mortise lockset

CASE QTY	WEIGHT
50	29 lbs



DOUBLE HOLE LOCK BOX

WI-LB-D

- ▶ 35 each per case



NYLON GATE BUMPER

NW6186-SD-BK Black

NW6186-SD-WH White

- ▶ Made with durable glass-filled nylon with UV inhibitors
- ▶ Flanges are each 2"(W) x 1.75"(D) for durable attachment
- ▶ Overall height is 4.5"
- ▶ Stainless steel screws included
- ▶ Also available in quantities of 10

CASE QTY	WEIGHT
50	22 lbs



Handle Bumper
Also Available

NYLON GATE HANDLES

NW314S-BK w/S.S. screws Black

NW314S-WH w/S.S. screws White

NW314-BK (WI-NGH) w/o screws Black

NW314-WH (WI-NGH-W) w/o screws White

- ▶ Made with durable glass-filled nylon with UV inhibitors
- ▶ Flanges are each 1.5"(W) x 1.25"(D) for durable attachment
- ▶ Overall height is 5" and handle is .75" deep
- ▶ Very comfortable and easy to grasp

CASE QTY	WEIGHT
50	8 lbs



STAINLESS STEEL GATE HANDLE

NW6184-BK Black

NW6184-WH White

- ▶ 2-Sided Attachment
- ▶ Modern Design
- ▶ Stainless steel screws included

CASE QTY	WEIGHT
100	35 lbs



STAINLESS STEEL GATE BUMPER

NW6237-BK

- ▶ Slim line Design
- ▶ 2-Sided Attachment
- ▶ Stainless Steel Screws included

CASE QTY	WEIGHT
50	7 lbs



HEAVY-DUTY STAINLESS STEEL DROP RODS

24" NW38305-24SS Mill
NW38305-24SSB Black
NW38305-24SSW White

CASE QTY	WEIGHT
20	39 lbs

36" NW38305-36SSB Black

CASE QTY	WEIGHT
10	23 lbs

48" NW38305-48SSB Black

CASE QTY	WEIGHT
10	40 lbs

- ▶ 5/8" diameter
- ▶ Screws included
- ▶ Dual guides
- ▶ Pad-lockable
- ▶ Retention-ears for theft prevention



STAINLESS STEEL KEY LOCKING DROP RODS

18" NW38305KL-18SSB Black
NW38305KL-18SSW White

CASE QTY	WEIGHT
10	21 lbs

24" NW38305KL-24SSB Black
NW38305KL-24SSW White

CASE QTY	WEIGHT
10	23 lbs

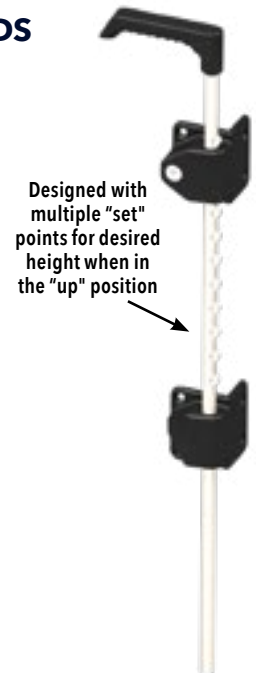
36" NW38305KL-36SSB Black
NW38305KL-36SSW White

CASE QTY	WEIGHT
10	36 lbs

48" NW38305KL-48SSB Black
NW38305KL-48SSW White

CASE QTY	WEIGHT
10	45 lbs

- ▶ Add the appeal of a key lock to your drop rod
- ▶ Anti-theft protection
- ▶ The handle & brackets are made of low-maintenance, glass filled nylon
- ▶ The rods are 300 series stainless steel
- ▶ Available with Black or White brackets
- ▶ 2-sided bracket attachment
- ▶ Stainless steel screws included



Designed with multiple "set" points for desired height when in the "up" position

All Lockable Drop Rods
Can Be Keyed Alike

VINYL

METAL

WOOD

CHAIN LINK

ALUMINUM DROP RODS

NW38305A1-24BK

- ▶ Colors are special order
- ▶ Fits gates frames 1" or larger
- ▶ 24" height
- ▶ Rust resistant and cost effective
- ▶ Light to handle, easy to install
- ▶ Stainless steel screws included

CASE QTY	WEIGHT
20	23 lbs

 Fits Narrow Gate Frames

Comes with a holder for "up position"



COMMERCIAL DROP RODS

24" NW6270-24BK Black
NW6270-24HDG Hot Dip Galvanized

CASE QTY	WEIGHT
10	46 lbs

36" NW6270-36BK Black
NW6270-36HDG Hot Dip Galvanized

CASE QTY	WEIGHT
10	55 lbs

48" NW6270-48BK Black
NW6270-48HDG Hot Dip Galvanized

CASE QTY	WEIGHT
5	36 lbs

- ▶ Heavy-duty 1" O.D. drop rod
- ▶ Zinc plated, powder coated steel
- ▶ Through bolt design
- ▶ Can be used on vinyl, wood, aluminum or steel gates



COMMERCIAL PAD LOCKABLE DROP RODS

24" NW6270L-24BK Black
NW6270L-24HDG Hot Dip Galvanized

CASE QTY	WEIGHT
10	46 lbs

36" NW6270L-36BK Black
NW6270L-36HDG Hot Dip Galvanized

CASE QTY	WEIGHT
10	55 lbs

48" NW6270L-48BK Black
NW6270L-48HDG Hot Dip Galvanized

CASE QTY	WEIGHT
5	36 lbs



GUIDE ROLLERS

NW6271-BK Black
NW6271-WH White

- ▶ Plastic roller
- ▶ Used for Vinyl and Ornamental gates
- ▶ Zinc plated bracket for welding
- ▶ Bracket is 6.2" in height

CASE QTY	WEIGHT
15	38 lbs



WI-RGR-C
▶ Cover for WI-RGR
▶ 200/Case

WI-RGR
▶ 3" Nylon Guide Roller
▶ No cover
▶ 40/Case



"V" GROOVE TRACK WHEELS

ROLL2BV - 2"
ROLL3BV - 3"

CASE QTY	WEIGHT
25	44 lbs

ROLL4BV - 4"
▶ "V" Groove, Zinc plated steel
▶ Attached bracket included

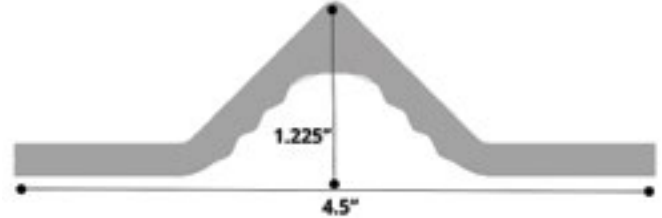
CASE QTY	WEIGHT
16	50 lbs



V-TRACK

WI-EGT-016-10H

- ▶ Aluminum Extrusion
- ▶ 10' V-track with alternating holes every 18"
- ▶ Please contact customer service for bundle quantities



GUIDE ROLLERS

WI-RGR-BKT

- ▶ 3" Rubber Guide roller with bracket
- ▶ 8/Case



PATENTED

SHOTGUN® GATE CLOSER

Controlled Closing Power to Avoid Gate Slamming



- SHOTGUN-BK Black
- SHOTGUN-SC Satin Chrome
- ▶ One SKU closes any gate up to 250 lbs*
- ▶ Anti-slam technology
- ▶ Adjustable closing speed
- ▶ No oil therefore no leaks

CASE QTY	WEIGHT
10	67 lbs

*Tested on a 6' high, 6' wide. Needs a gate stop at 90 degrees

TROLLEY FOR CANTILEVER GATES

NW-TROLLEY4WA

CASE QTY	WEIGHT
6	29 lbs



NW-TROLLEY8WA

CASE QTY	WEIGHT
4	31 lbs



4 WHEEL TROLLEY

WI-TROLLEY-M4S

- ▶ Cast Steel body
- ▶ Horizontal Wheels O.D. 2.125"
- ▶ Vertical Wheels O.D. 2.045"
- ▶ 12/Case



8 WHEEL TROLLEY

WI-WTS10-1

- ▶ Machined Steel body
- ▶ Horizontal Wheels O.D. 2.125"
- ▶ Vertical Wheels O.D. 2.045"
- ▶ 8/Case



WI-TROLLEY-8P

- ▶ Cast Aluminum
- ▶ 8/Case



TROLLEY BRACKETS

NW-TRLLBKT-R-HD

- ▶ 4" Round, Heavy-duty Gage



CASE QTY	WEIGHT
6	45 lbs

NW-TRLLBKT-S-HD

- ▶ 4" Square, Heavy-duty Gage



Case Qty	Weight
6	45 lbs

TROLLEY BRACKETS

NW-TRLLBKT-RD-STL - 4"

- ▶ Round, Heavy-duty Gage

NW-TRLLBKT-SQ-STL - 4"

- ▶ Square, Heavy-duty Gage

CASE QTY	WEIGHT
4	40 lbs

WI-HANG-4R- 4"

- ▶ Round
- ▶ 8/Case

WI-HANG-4S - 4"

- ▶ Square
- ▶ 8/Case

WI-HANG-6S - 6"

- ▶ Square
- ▶ 4/Case



GOOSE NECK PEDESTALS

WI-ACA-1 42"

WI-ACA-2 48"

- ▶ Access Control Arm w/base
- ▶ Pad Mountable

CASE QTY	WEIGHT
1	17 lbs



WI-ACA-1-B 54"

WI-ACA-72-B 72"

- ▶ Direct Burial

CASE QTY	WEIGHT
1	20 lbs



WI-GNC-DUAL-72

- ▶ Dual Arm Pedestal
- ▶ 42" and 72" Pedestal

CASE QTY	WEIGHT
1	42 lbs



VINYL

METAL

WOOD

CHAIN LINK

WOOD FENCE & GATE HARDWARE

TABLE OF CONTENTS

Innovative Products	90
Hinges	96
Screw Hooks	99
Rustic Series and Latches	100
Latches and Kits	102
Kits and Drop Rods	104
Caps and Gate Braces	106
Bumpers, Closers, Handles and Brackets	108
Accessories and Tools	110

**NATIONWIDE
INDUSTRIES®**

Photo courtesy of Integrous Fencing and Decks





PATENTED



TRIDENT™
SAFE SIGNAL™
BY NATIONWIDE INDUSTRIES®

NEW! TRIDENT™ SAFE SIGNAL

- ▶ Safe-Notch™ engages and remains closed upon contact
- ▶ Alarms if gate is left unlatched for more than 15 seconds
- ▶ Flashing LED lights provide visual warning of unlatched gate
- ▶ Easy Installation without the need of special tools
- ▶ Fits all square post gate applications



CASE QTY	WEIGHT
20	47.4 lbs

TRIDENTSS20BK Black 20"

Adapter available for use with round posts. Part No. NW6149-BK



20"

PATENTED

TRIDENT™ MAGNETIC GATE LATCH

- ▶ Safe-Notch™ engages and remains closed upon contact
- ▶ Trident™ strong magnetic closing power, easy installation and guaranteed to last!
- ▶ Sophisticated, modern design
- ▶ Rust-resistant components
- ▶ Meets international pool codes, please check local pool codes prior to use



CASE QTY	WEIGHT
20	26 lbs

TRIDENT20-BK Black 20"
TRIDENT20-WH White 20"
TRIDENT10-BK Black 10"
TRIDENT10-WH White 10"

Adapter available for use with round posts. Part No. NW6149-BK

Available in Keyed Alike (-KA)



10"

10"

20"

20"

PATENTED

AQUALATCH® MAGNETIC GATE LATCH

- ▶ SafeAlert™ red alert area appears when disengaged
- ▶ Heavy-duty construction
- ▶ Beautiful, modern design
- ▶ Multi-directional leveling for misaligned gates
- ▶ Excellent horizontal and vertical adjustability
- ▶ Fits right or left handed gates
- ▶ Industry-BEST Warranty

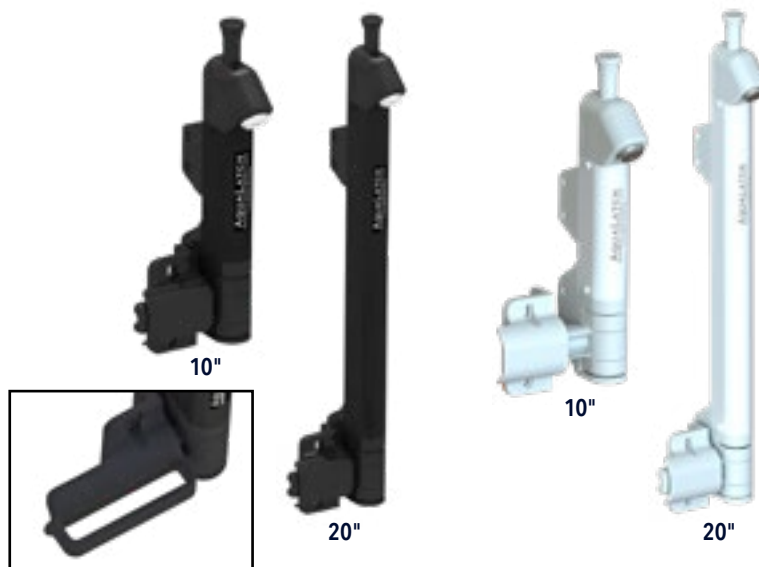


CASE QTY	WEIGHT
20	24 lbs

AQUA10-BK Black AquaLatch® w/Std Keeper
AQUA10-WH White AquaLatch® w/Std Keeper
AQUA10H-BK Black AquaLatch® w/Handle/Keeper
AQUA10H-WH White AquaLatch® w/Handle/Keeper
AQUA20-BK Black AquaLatch® w/Std Keeper
AQUA20-WH White AquaLatch® w/Std Keeper
AQUA20H-BK Black AquaLatch® w/Handle/Keeper
AQUA20H-WH White AquaLatch® w/Handle/Keeper

Adapter available for use with round posts. Part No. NW6149-BK

Available in Keyed Alike (-KA)



10"

10"

20"

20"

POOL PROTECTION SOLUTIONS

BY NATIONWIDE INDUSTRIES®



Nationwide Industries is committed to reduce the number of child drownings by offering the following product solutions. Pool protection doesn't just start at the pool. Perimeter fencing, pool cages, and pool safety fences all offer layers of protection to your pool and backyard.

1 - C2H350F

This Heavy-Duty Self-Closing Fully Adjustable Hinge to be sure your gate closes behind you every time and lasts for up to one million cycles.

2 - KTLRV400

The Keystone Traverse 400 locks and unlocks from both sides offering the ultimate solution for a locking gate latch.

3 - AUTO-HOLD-KIT

The preferred closer kit for pool cage and screen doors includes a jamb bracket, handle set, and a push to engage closer tube.

4 - NW6219

The Billy Bib Screen Bypass Water System allows a hose to come inside the pool cage without having to open a cage door.

5 - TRIDENT

The Trident Magnetic Pool Latch is the ultimate pool safety latch with a SAFE-NOTCH feature to deter climbing incidents.

KEYSTONE® SERIES

PATENTED

KEYSTONE® 2 SERIES

KLADV2-P2-4D-BK Black (Nylon)

KLADV2-P2-4D-BK-KA Black (Nylon)

KLADV2-P2-4D-WH-KA White (Nylon)

- ▶ **NEW & IMPROVED with 6-pin cylinder**
- ▶ Locking feature accessible from both sides
- ▶ Same specifications as KLADV-P2 below



CASE QTY	WEIGHT
20	27 lbs

KLADV2-P1-4D-BK Black (Nylon)

KLADV2-P1-4D-BK-KA Black (Nylon)

- ▶ **NEW & IMPROVED with 6-pin cylinder**



CASE QTY	WEIGHT
20	16 lbs

- ▶ Reversible for right-hand or left-hand use
- ▶ Glass-filled nylon housing
- ▶ Thumb release button on one side, gravity latch lever on opposite side
- ▶ Stainless steel screws included

i All Keystone® 2-Sided Latches are packed with a durable Plastic Marking Template for installation.

i Available in "-KA" Keyed Alike.



PATENTED

KEYSTONE® SERIES

KLADV-M2-BK Black (Zinc diecast)

KLADV-M2-WH White (Zinc diecast)

- ▶ Reversible for right-hand or left-hand use
- ▶ Glass-filled nylon housing
- ▶ Thumb release button on one side, gravity latch lever on opposite side
- ▶ Stainless steel screws included



CASE QTY	WEIGHT
20	48 lbs

KLADV-M1-BK Black (Zinc diecast)

KLADV-M1-WH White (Zinc diecast)



CASE QTY	WEIGHT
20	31 lbs



SPINDLE ADAPTOR

KLADV-SpinAdapt
Extension Kit allows Two-Sided Keystone® to be used on posts over 5" wide

PATENTED

KEYSTONE® PANICLATCH™

KPL-P2-BK Black

- ▶ Self-Locking anti-tamper design
- ▶ Easy exit with large button
- ▶ Secure Entry with 6-pin key

CASE QTY	WEIGHT
6	20 lbs



Easy push button egress with no need for a panic bar



PATENTED

KEYSTONE® X2 SAME KLX LATCH, WITH SLIMLINE DESIGN

KLX2-P2-4D-BK Black

KLX2-P2-4D-WH White

- ▶ Slimline design
- ▶ No drilling through the gate
- ▶ Quick, easy installation



CASE QTY	WEIGHT
20	20 lbs

KLX2-P1-4D-BK Black

KLX2-P1-4D-WH White

- ▶ Features Latch only
- ▶ No drilling through the gate
- ▶ Quick, easy installation



CASE QTY	WEIGHT
20	13 lbs



Button Side

VINYL

METAL

WOOD

CHAIN LINK

CORNERSTONE® 2 SERIES

PATENTED

CORNERSTONE® 2 FULLY ADJUSTABLE HINGE

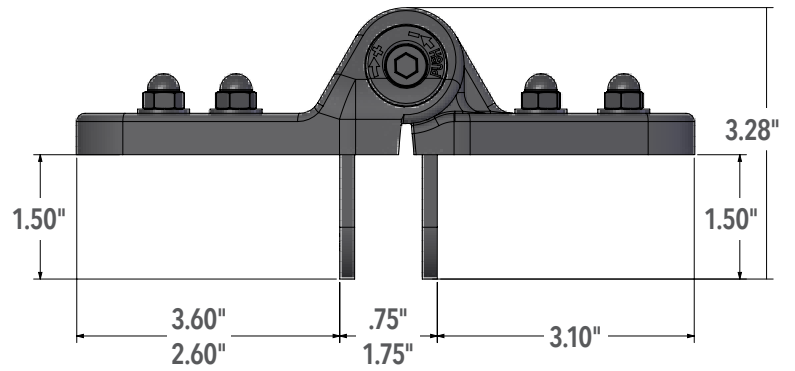
- ▶ Horizontally adjustable up to 1.0"
- ▶ Vertically adjustable up to 1.0"
- ▶ Fits both right and left-hand applications
- ▶ ¼" Allen wrench included for easy Turn-N-Go™ tension adjustment
- ▶ Safe, anti-climb design



CASE QTY	WEIGHT
10 pair	30 lbs

C2H300F-4D-BK Black w/stainless steel self-drilling screws

i Point-load tested over 2,000 lbs per pair



PATENTED

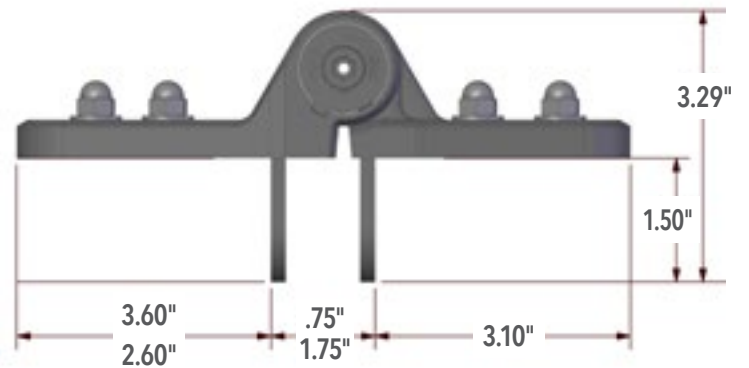
CORNERSTONE® 2 FULLY ADJUSTABLE HINGE

- ▶ Fully adjustable self-closing hinge
- ▶ Horizontally and vertically adjustable up to 0.96"



CASE QTY	WEIGHT
10 pair	29 lbs

C2H350F-4D-BK Black w/stainless steel screws



PATENTED

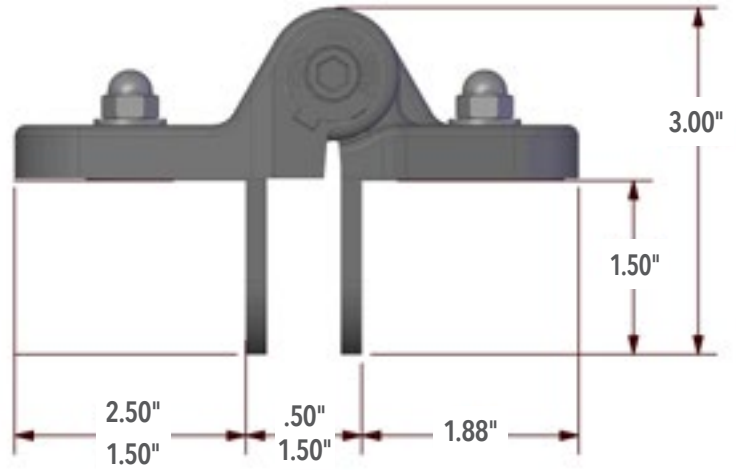
CORNERSTONE® 2 FULLY ADJUSTABLE HINGE

- ▶ Horizontally adjustable up to 1"
- ▶ Vertically adjustable up to 0.75"
- ▶ Fits both right and left-hand applications
- ▶ 1/4" Allen wrench included for easy Turn-N-Go™ tension adjustment



CASE QTY	WEIGHT
20 pair	26 lbs

C2H095F-4D-BK Black with 400 series stainless steel self-drilling screws



PATENTED

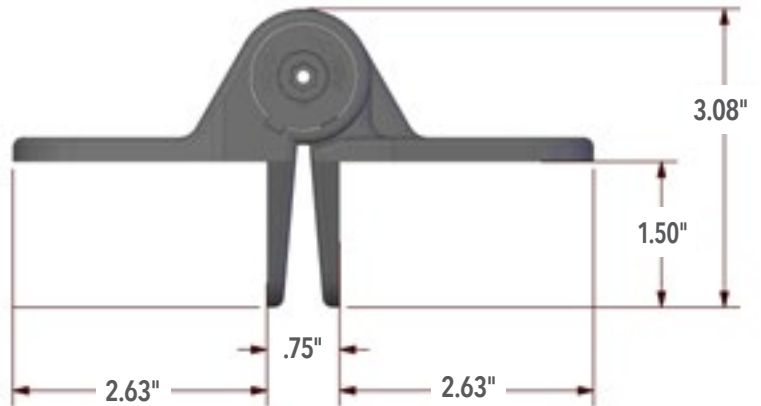
CORNERSTONE® 2 HEAVY-DUTY NON-ADJUSTABLE HINGE

- ▶ Self-closing hinge
- ▶ Fits both right and left-hand applications
- ▶ 1/4" Allen wrench included for easy Turn-N-Go™ tension adjustment



CASE QTY	WEIGHT
10 pair	29 lbs

C2H350N-4D-BK Black with self-drilling screws



VINYL

METAL

WOOD

CHAIN LINK

8" ORNAMENTAL 'T' HINGE

NW38937Q

- ▶ Zinc plated steel with black finish
- ▶ 1-3/4" lag screws with black finish

CASE QTY	WEIGHT
20	43 lbs

NW38937FQ with Fixed Pin

- ▶ Zinc plated steel with black finish
- ▶ 1-3/4" lag screws with black finish

CASE QTY	WEIGHT
20	43 lbs

NW38937AQ Un-Assembled

- ▶ Zinc plated steel with black finish
- ▶ 1-3/4" lag screws with black finish

CASE QTY	WEIGHT
20	43 lbs

NW38937MDQ

- ▶ Zinc plated steel with black finish
- ▶ 3" thru-bolts for gate side
- ▶ 3" lag screws for fence side

CASE QTY	WEIGHT
20	44 lbs



10" ORNAMENTAL 'T' HINGE

NW38933MDQ with Cotter-Pin

- ▶ Zinc plated steel with black finish
- ▶ 3" thru-bolts for gate side
- ▶ 3" lag screws for fence side

CASE QTY	WEIGHT
10	44 lbs

NW38933FMDQ with Fixed Pin

- ▶ Zinc plated steel with black finish
- ▶ 3" thru-bolts for gate side
- ▶ 3" lag screws for fence side

CASE QTY	WEIGHT
10	44 lbs



12" ORNAMENTAL 'T' HINGE

NW38935Q

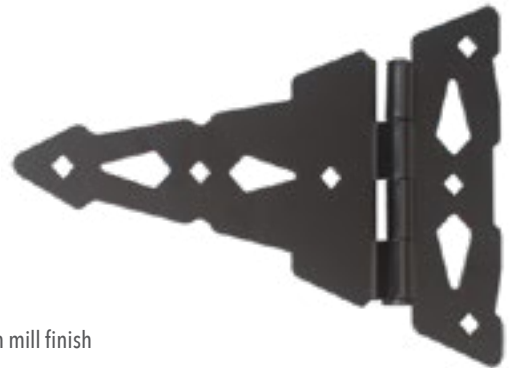
- ▶ Zinc plated steel with black finish
- ▶ 1-3/4" lag screws with black finish

CASE QTY	WEIGHT
10	52 lbs

NW38935MDQ

- ▶ Zinc plated steel with black finish
- ▶ 3" thru-bolts for gate side
- ▶ 3" lag screws for fence side

CASE QTY	WEIGHT
10	52 lbs



8" CONTEMPORARY 'T' HINGE

NW38945Q

- ▶ Zinc plated steel with black finish
- ▶ 1-3/4" lag screws with black finish

CASE QTY	WEIGHT
20	54 lbs

NW38945MDQ

- ▶ Zinc plated steel with black finish
- ▶ 3" thru-bolts for gate side
- ▶ 3" lag screws for fence side

CASE QTY	WEIGHT
20	54 lbs

 Also Available in Hammered Bronze

NW38945SS

- ▶ Same as NW38945Q but in stainless steel with mill finish

10" CONTEMPORARY 'T' HINGE

NW38947Q

- ▶ Zinc plated steel with black finish
- ▶ 1-3/4" lag screws with black finish

CASE QTY	WEIGHT
10	32 lbs

NW38947MDQ

- ▶ Zinc plated steel with black finish
- ▶ 3" thru-bolts for gate side
- ▶ 3" lag screws for fence side

CASE QTY	WEIGHT
10	32 lbs



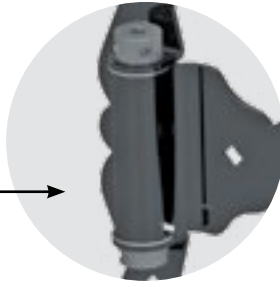
8" ORNAMENTAL HEAVY-DUTY SELF-CLOSING 'T' HINGE

NW38937HDQ

- ▶ Easy tension adjustment
- ▶ Easy to hold adjustment pin

CASE QTY	WEIGHT
20	52 lbs

Massive Spring and Barrel



8" TRADITIONAL 'T' HINGE

NW38941Q

- ▶ Zinc plated steel with black finish
- ▶ 1-3/4" lag screws with black finish

CASE QTY	WEIGHT
20	56 lbs

10" TRADITIONAL 'T' HINGE

WI-TTH-10

- ▶ Zinc plated steel with black finish
- ▶ 1-3/4" lag screws with black finish

CASE QTY	WEIGHT
10	41 lbs

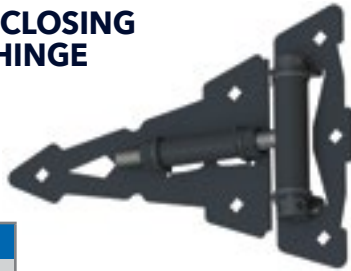


8" ADJUSTABLE SELF-CLOSING CONTEMPORARY 'T' HINGE

NW6332

- ▶ Zinc plated steel with black finish
- ▶ Easy tension adjustment
- ▶ Easy to hold adjustment pin
- ▶ 1-3/4" lag screws with black finish

CASE QTY	WEIGHT
20	42 lbs



BLUNT 'T' HINGE

NW6172-BK

- ▶ Zinc plated steel with black finish
- ▶ 1-3/4" lag screws for fence
- ▶ 1-3/4" lag screws for gate

CASE QTY	WEIGHT
20	40 lbs



6" UNIVERSAL 'T' HINGE

NW36576/6-BQ

- ▶ Zinc plated steel with black finish
- ▶ 2-1/2" lag screws for fence
- ▶ 1-3/4" lag screws for gate

CASE QTY	WEIGHT
20	34 lbs

NW36576/6-71

- ▶ Zinc plated steel finish
- ▶ Bulk-packed without screws

CASE QTY	WEIGHT
50	43 lbs

NW36576/6-M

- ▶ Zinc plated steel finish
- ▶ 2-1/2" lag screws for fence
- ▶ 1-3/4" lag screws for gate

CASE QTY	WEIGHT
20	34 lbs

NW36576/6-ZPBB with Brass Bushing

- ▶ Zinc plated steel with black finish
- ▶ 2-1/2" lag screws for fence
- ▶ 1-3/4" lag screws for gate

CASE QTY	WEIGHT
20 pair	30 lbs



8" UNIVERSAL 'T' HINGE

NW199

- ▶ Zinc plated steel with black finish
- ▶ 2-1/2" lag screws for fence
- ▶ 1-3/4" lag screws for gate

CASE QTY	WEIGHT
20	42 lbs

VINYL

METAL

WOOD

CHAIN LINK

8" ORNAMENTAL SCREW HOOK & STRAP HINGE



NW38934Q

- ▶ Zinc plated steel with black finish
- ▶ 1-3/4" lag screws with black finish

CASE QTY	WEIGHT
20	40 lbs

8" ORNAMENTAL DOUBLE STRAP HINGE



NW38936Q

- ▶ Zinc plated steel with black finish
- ▶ 1-3/4" lag screws with black finish

CASE QTY	WEIGHT
20	52 lbs

8" ORNAMENTAL HALF STRAP HINGE



NW38938Q

- ▶ Zinc plated steel with black finish
- ▶ 1-3/4" lag screws with black finish

CASE QTY	WEIGHT
20	41 lbs

NW38938FQ with Fixed Pin

- ▶ Zinc plated steel with black finish
- ▶ 1-3/4" lag screws with black finish

CASE QTY	WEIGHT
20	41 lbs

NW38938A Un-Assembled

- ▶ Zinc plated steel with black finish
- ▶ 1-3/4" lag screws with black finish

CASE QTY	WEIGHT
20	40 lbs

6" UNIVERSAL DOUBLE STRAP HINGE



NW36579/6-M

- ▶ Zinc plated steel finish
- ▶ 2-1/2" lag screws for fence
- ▶ 1-3/4" lag screws for gate

CASE QTY	WEIGHT
20	35 lbs

8" CONTEMPORARY DOUBLE STRAP HINGE



NW38944Q

- ▶ Zinc plated steel with black finish
- ▶ 1-3/4" lag screws with black finish

NW38944SS (WI-CDSH-8-M-SS)

- ▶ Same as NW38944Q but in stainless steel with mill finish

CASE QTY	WEIGHT
20	61 lbs

Also Available in Hammered Bronze

10" CONTEMPORARY DOUBLE STRAP HINGE

NW38942Q

- ▶ Zinc plated steel with black finish
- ▶ 1-3/4" lag screws with black finish

CASE QTY	WEIGHT
10	35 lbs

8" TRADITIONAL DOUBLE STRAP HINGE



NW38940Q

- ▶ Zinc plated steel with black finish
- ▶ 1-3/4" lag screws with black finish

CASE QTY	WEIGHT
20 pair	54 lbs

10" TRADITIONAL DOUBLE STRAP HINGE

NW38946Q

- ▶ Zinc plated steel with black finish
- ▶ 1-3/4" lag screws with black finish

CASE QTY	WEIGHT
10 pair	37 lbs

8" CONTEMPORARY BUTTERFLY HINGE

NW38943Q

- ▶ Zinc plated steel with black finish
- ▶ 1-3/4" lag screws with black finish

CASE QTY	WEIGHT
20 pair	54 lbs



8" TRADITIONAL BUTTERFLY HINGE

NW38943T

- ▶ Zinc plated steel with black finish
- ▶ 1-3/4" lag screws with black finish

CASE QTY	WEIGHT
20 pair	54 lbs



HEAVY-DUTY SEALED BEARING HINGES GREAT OPTIONS FOR COMMERCIAL GATES

- ▶ Assembled in the USA
- ▶ Never needs lubrication
- ▶ Horizontal adjustability



Mill Steel Weld-on



Black Aluminum Bolt-on

Options Per Each Hinge Side

- ▶ Steel or Aluminum
- ▶ Bolt-on or Weld-on application
- ▶ Black or Mill finish

29 SKUs Available

See pages 64 - 67 for full product offering

"T" HINGE



NWSS-HDT-SC-BK Black w/stainless steel screws
NWSS-HDT-SC-BKD Black w/stainless steel self-drilling screws

- ▶ Stainless steel, powder coated
- ▶ Easy tension adjustment
- ▶ Allen wrench included
- ▶ Larger easy to hold pin

CASE QTY	WEIGHT
12 pair	40 lbs

6" HEAVY-DUTY STRAP WITH 1/2" SCREW HOOK



NW284-76

- ▶ Zinc plated steel finish

CASE QTY	WEIGHT
12 pair	21 lbs

8" HEAVY-DUTY STRAP WITH 5/8" SCREW HOOK



WI-HDSH-5/8

- ▶ Zinc plated steel with black finish
- ▶ 1-3/4" lag screws with black finish

CASE QTY	WEIGHT
20 pair	30 lbs

12" HEAVY-DUTY STRAP WITH 5/8" SCREW HOOK

NW255/38931-26

- ▶ Zinc plated steel with black finish
- ▶ 1-3/4" lag screws with black finish

CASE QTY	WEIGHT
12 pair	42 lbs

NW255-71

- ▶ Zinc plated steel finish
- ▶ Without screws - bulk packed

CASE QTY	WEIGHT
50 pair	42 lbs

NW255/38931-GV

- ▶ HDG finish
- ▶ 1-3/4" lag screws with HDG finish

CASE QTY	WEIGHT
12 pair	42 lbs

1/2" x 4" SCREW HOOK & EYE HINGE



NW38603

- ▶ Zinc plated steel finish

NW38603-GV

- ▶ HDG finish

NW38603-BK

- ▶ Black finish

CASE QTY	WEIGHT
50 pair	56 lbs

5/8" x 5" SCREW HOOK & EYE HINGE



NW38931

- ▶ Zinc plated steel finish

CASE QTY	WEIGHT
20	56 lbs

RUSTIC SERIES

12", 16", 20" AND 24" HINGES

RUSH112-BK

- ▶ 12" pair of black hinges
- ▶ 1/2" pin
- ▶ Powder coated finish

CASE QTY	WEIGHT
10 pair	59 lbs

RUSH116-BK

- ▶ 16" pair of black hinges
- ▶ 1/2" pin
- ▶ Powder coated finish

CASE QTY	WEIGHT
8 pair	50 lbs

RUSH220-BK

- ▶ 20" pair of black hinges
- ▶ 5/8" pin
- ▶ Powder coated finish

CASE QTY	WEIGHT
6 pair	55 lbs

RUSH224-BK

- ▶ 24" pair of black hinges
- ▶ 5/8" pin
- ▶ Powder coated finish

CASE QTY	WEIGHT
4 pair	45 lbs



* All hinges include stainless steel screws and a carriage bolt with painted head

TWISTED RING LATCH

RUSL1-BK

- ▶ Operates from either side
- ▶ Fits gates up to 5" thick
- ▶ Powder coated finish

CASE QTY	WEIGHT
10	20 lbs



STANDARD GRAVITY LATCH

NW38204Q Black

NW38204BZ Bronze

NW38204W White

- ▶ Zinc plated steel
- ▶ Screws included
- ▶ .38" Strike bar with ball tip
- ▶ Pad-lockable

CASE QTY	WEIGHT
50	27 lbs

NW38204NC-76 with Cable

- ▶ Zinc plated steel finish
- ▶ Screws with zinc plate finish
- ▶ With 13" cable, clip and o-ring for access on opposite side of fence
- ▶ .38" Strike bar with ball tip
- ▶ Pad-lockable

CASE QTY	WEIGHT
50	27 lbs

NW38204-76Q

- ▶ Zinc plated steel finish
- ▶ Screws with zinc plate finish
- ▶ .38" Strike bar with ball tip
- ▶ Pad-lockable

CASE QTY	WEIGHT
50	27 lbs

NW38204SSM

- ▶ Same as NW38204Q but in stainless steel with mill finish



STANDARD GRAVITY LATCH WITH FLOATING BAR

NW38203Q

- ▶ Zinc plated steel with black finish
- ▶ Screws with black finish
- ▶ .38" Strike Bar with ball tip
- ▶ Pad-lockable



CASE QTY	WEIGHT
50	27 lbs

FORK LATCH KIT WITH HANDLE

NW6185-BK

- ▶ Zinc plated steel with black finish
- ▶ Simple to use latch
- ▶ Avoids most sagging problems
- ▶ Built-in handles and gate stop



CASE QTY	WEIGHT
20	44 lbs

HEAVY-DUTY GRAVITY LATCH

NW38338/R

- ▶ Zinc plated steel with black finish
- ▶ Screws with black finish
- ▶ .48" Strike bar with 90° bend
- ▶ Pad-lockable



CASE QTY	WEIGHT
20	28 lbs

NW38338A/R-26 Black
NW38338/R-ZP Mill with Cable

- ▶ Zinc plated steel
- ▶ Screws included
- ▶ With 13" cable, clip and o-ring for access on opposite side of fence
- ▶ .48" Strike bar with 90° bend
- ▶ Pad-lockable

CASE QTY	WEIGHT
20	30 lbs

HEAVY-DUTY GRAVITY LATCH WITH FLOATING BAR

NW38340Q

- ▶ Zinc plated steel black finish
- ▶ Screws with black finish
- ▶ .48" Strike bar
- ▶ Pad-lockable



NW38340-M

- ▶ Same as NW38340Q but with zinc plated steel finish

NW38340-CABLE with Stainless Pull Cable

- ▶ Zinc plated steel black finish
- ▶ Screws with zinc plate finish
- ▶ .48" Strike bar
- ▶ Pad-lockable

CASE QTY	WEIGHT
25	42 lbs

90° STRIKE GRAVITY LATCH

NW38204AQ

- ▶ Zinc plated steel with black finish
- ▶ Screws with black finish
- ▶ .38" Strike bar with 90° bend and ball tip
- ▶ Pad-lockable

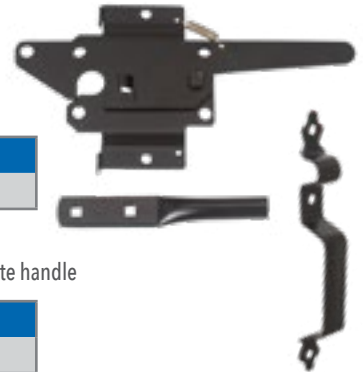


CASE QTY	WEIGHT
50	28 lbs

STANDARD POST LATCH

NW38308Q

- ▶ Zinc plated steel with black finish
- ▶ Screws with black finish
- ▶ Spring activated release lever
- ▶ Two-sided entry
- ▶ Reversible (right or left handed)
- ▶ Pad-lockable on one side only



CASE QTY	WEIGHT
20	33 lbs

NW38308Q/38398Q

- ▶ NW38308Q with a 9" standard gate handle

CASE QTY	WEIGHT
20	40 lbs

NW38308SS

- ▶ Same as NW38308Q but in stainless steel with mill finish

NW38308NUA-Q

- ▶ Zinc plated steel with black finish
- ▶ Screws with black finish
- ▶ Spring activated release lever
- ▶ Two-sided entry
- ▶ Reversible (right or left handed)
- ▶ Pad-lockable on two sides
- ▶ Bent handle design



CASE QTY	WEIGHT
20	33 lbs

STEEL CONTEMPORARY GATE LATCH

NW38310QS

- ▶ Zinc plated steel with black finish
- ▶ Screws with black finish
- ▶ Strike flange: 3.12"(W) x 3.5"(H) x 1.38"(D)
- ▶ Latch flange: 1.88"(W) x 5.5"(H) x 1.5"(D)
- ▶ Mounts around corner of post and gate frame
- ▶ Pad-lockable on both sides - Locking slide switch on latch arm
- ▶ Allows entry from both sides
- ▶ Reversible mounting (right or left handed)
- ▶ Easy Opening STOP Design (as seen in photo above)



i New stop added for easier use

CASE QTY	WEIGHT
20	44 lbs

VINYL

METAL

WOOD

CHAIN LINK

CONTEMPORARY POST LATCH

NW38310WQ

- ▶ Larger opening allows for more play of strike bar

NW38310Q

- ▶ Zinc plated steel with black finish
- ▶ Screws with black finish
- ▶ 9" Gate handle
- ▶ Slide-switch lock on opposite side
- ▶ Pad-lockable on both sides

CASE QTY	WEIGHT
20	43 lbs

 Also Available in Hammered Bronze



ROUND BAR THUMB LATCH

NW283-26

- ▶ Zinc plated steel with black finish
- ▶ Screws with black finish
- ▶ 9" Gate handle
- ▶ Round locking lever bar
- ▶ Pad-lockable

CASE QTY	WEIGHT
25	38 lbs

 Improved and designed to avoid falling out



ORNAMENTAL THUMB LATCH KIT

NW38307 - 6" Lever

NW38306A - 7" Lever

- ▶ Zinc plated steel with black finish
- ▶ Screws with black finish
- ▶ 9" Gate handle
- ▶ Locking lever bar is 'flat'

CASE QTY	WEIGHT
25	37 lbs

 Improved and designed to avoid falling out



ALL-PURPOSE LATCH KIT

NW38341-26

- ▶ Zinc plated steel with black finish
- ▶ Screws with black finish

NW38341-GV

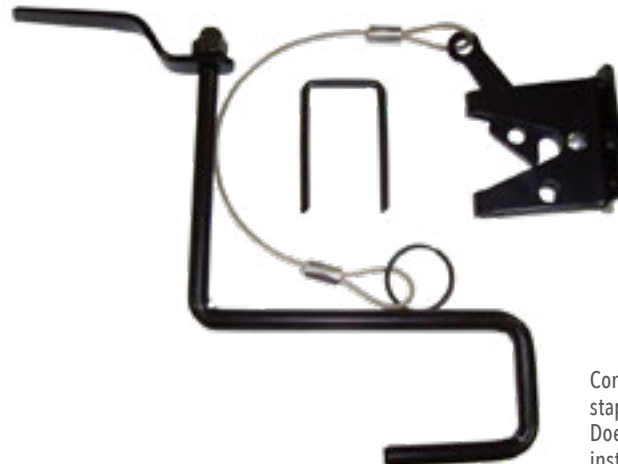
- ▶ HDG finish
- ▶ Screws with HDG finish

NW-S-Latch-ZP

- ▶ Zinc plated steel finish
- ▶ Screws with zinc plate finish

CASE QTY	WEIGHT
20	36 lbs

* All kits contain gravity latch with cable



Contains same "U" shape striker bar, "U" shape staple and handle as the All Purpose Latch above. Does not include the gravity latch with cable but instead includes a flat stake keeper.

FLIP LATCH



NW6169-BK

- ▶ Commercial grade
- ▶ Great for dumpster use
- ▶ Pad-lockable
- ▶ Zinc plated steel with black powder coated finish
- ▶ Stainless steel through-bolt hardware included

CASE QTY	WEIGHT
10	37 lbs

WI-DGFL

- ▶ Teflon Coated
- ▶ Pad-lockable

CASE QTY	WEIGHT
12	56 lbs



SLIDE-BAR LATCH

NW38339Q

- ▶ Zinc plated steel with black finish
- ▶ Screws with black finish
- ▶ 3" Throughbolts for latch
- ▶ 1" Screws for keeper
- ▶ Pad-lockable

CASE QTY	WEIGHT
60	42 lbs

ROUND RAIL LOOP LATCH

NW38301Q

- ▶ Zinc plated steel finish
- ▶ Screws with HDG finish

CASE QTY	WEIGHT
60	43 lbs



SPLIT RAIL LOOP LATCH

NW38302Q

- ▶ Zinc plated steel finish
- ▶ Screws with HDG finish

CASE QTY	WEIGHT
60	43 lbs



PATENTED

LOCK THRU™ LATCH



LT1-BK

- ▶ Open the padlock from either side of the gate
- ▶ Simple to lock or unlock as the latch rotates to you
- ▶ Zinc-plated steel & powder coated
- ▶ Mounting hardware included (padlock not included)
- ▶ Compatible with left or right hand gates

CASE QTY	WEIGHT
20	24 lbs

CONTEMPORARY WALK GATE KIT



WI-CWKG

- ▶ Open the padlock from either side of the gate
- ▶ Simple to lock or unlock as the latch rotates to you
- ▶ Zinc-plated steel & powder coated
- ▶ Mounting hardware included (padlock not included)
- ▶ Compatible with left or right hand gates

CASE QTY	WEIGHT
10 kits	53 lbs

WI-CWKG-T (NW38948CTQ)

- ▶ Zinc plated steel with black finish
- ▶ Screws with black finish
- ▶ Includes: pair of 8" T-hinge, post latch and 9" handle

CASE QTY	WEIGHT
10 kits	50 lbs

CONTEMPORARY DRIVE GATE KIT

WI-MBDDK (NW38949CQ)

- ▶ Same as NW38948CQ kit with an additional 24" drop rod and pair of hinges (includes 2 pair of hinges)

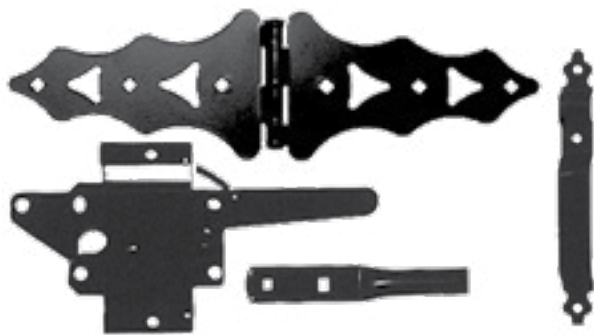
CASE QTY	WEIGHT
6 kits	63 lbs

VINYL

METAL

WOOD

CHAIN LINK



TRADITIONAL WALK GATE KIT

WI-TWGK

- ▶ Zinc plated steel with black finish
- ▶ Screws with black finish
- ▶ Includes: pair of 8" double strap hinges, post latch with return spring and 9" handle

CASE QTY	WEIGHT
10 kits	47 lbs

NW38948TQ

- ▶ Zinc plated steel with black finish
- ▶ Screws with black finish
- ▶ Includes: pair of 8" T-hinge, post latch with return spring and 9" handle

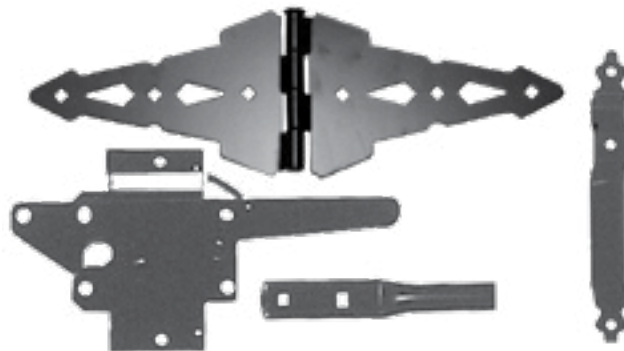
CASE QTY	WEIGHT
10 kits	48 lbs

TRADITIONAL DRIVE GATE KIT

NW38949Q

- ▶ Same as NW38948TQ kit with an additional 24" drop rod and pair of hinges (includes 2 pair of hinges)

CASE QTY	WEIGHT
6 kits	58 lbs



WESTERN WALK GATE KIT

WI-WWGK

- ▶ Zinc plated steel with black finish
- ▶ Screws with black finish
- ▶ Includes: pair of 8" double strap hinges, post latch with return spring and 9" handle

CASE QTY	WEIGHT
10 kits	51 lbs

WI-BTWGK

- ▶ Zinc plated steel with black finish
- ▶ Screws with black finish
- ▶ Includes: pair of 8" T-hinge, post latch with return spring and 9" handle

CASE QTY	WEIGHT
10 kits	44 lbs

WI-WWGK-3H

- ▶ Same as above but with 3 hinges

GATE WHEELS

GW2-BK Black (For Wood Gates)

- ▶ Zinc plated steel with powder-coated finish
- ▶ Composite wheel designed for rougher uneven surfaces and large temperature ranges
- ▶ Swivel design for ease of use
- ▶ Easily reversible for use on left or right-handed gates
- ▶ Nationwide's V-notch™ styling
- ▶ May be installed on any flat surface
- ▶ Lag screws included

CASE QTY	WEIGHT
10	38 lbs



PLASTIC CAPS

4" WOOD POST PLASTIC CAP

NW287-21

- ▶ Fits a 4 x 4 post measuring 3-5/8" square

CASE QTY	WEIGHT
500	37 lbs



6" WOOD POST PLASTIC CAP

NW298-21

- ▶ Fits a 6 x 6 post measuring 5-3/4" square

CASE QTY	WEIGHT
200	35 lbs

HEAVY-DUTY DROP RODS

18"

CASE QTY	WEIGHT
20	36 lbs

NW38305-18Q - Zinc plated steel Black finish
NW38305-18/ZP - Zinc plated steel- unpainted

24"

CASE QTY	WEIGHT
20	64 lbs

NW38305-24Q - Zinc plated steel Black finish
NW38305/24-76Q - Zinc plated steel unpainted
NW38305-24SS - Stainless steel - unpainted
NW38305-24SSB - Stainless steel with Black finish
NW38305-24SSW - Stainless steel with White finish

36"

CASE QTY	WEIGHT
20	44 lbs

NW38305-36Q - Zinc plated steel Black finish

48"

CASE QTY	WEIGHT
10	41 lbs

NW38305-48Q - Zinc plated steel Black finish

- ▶ 5/8" diameter
- ▶ Screws included
- ▶ Dual guides
- ▶ Pad-lockable
- ▶ Retention-ears for theft prevention

 Also Available in Hammered Bronze

DROP RODS WITH HOLDER

NW38305H-24Q
NW38305H-36Q
NW38305H-48Q

- ▶ No locking nibs
- ▶ Includes holder for "up" position



holder

COMMERCIAL DROP RODS

24"

CASE QTY	WEIGHT
10	46 lbs

NW6270-24BK Black
NW6270-24HDG Hot Dip Galvanized

36"

CASE QTY	WEIGHT
10	55 lbs

NW6270-36BK Black
NW6270-36HDG Hot Dip Galvanized

48"

CASE QTY	WEIGHT
5	36 lbs

NW6270-24BK Black
NW6270-24HDG Hot Dip Galvanized

- ▶ Heavy-duty 1" O.D. drop rod
- ▶ Zinc plated, powder coated steel
- ▶ Through bolt design
- ▶ Can be used on vinyl, wood, aluminum or steel gates



COMMERCIAL PAD LOCKABLE DROP RODS

24" NW6270L-24BK Black
NW6270L-24HDG Hot Dip Galvanized

CASE QTY	WEIGHT
10	46 lbs

36" NW6270L-36BK Black
NW6270L-36HDG Hot Dip Galvanized

CASE QTY	WEIGHT
10	55 lbs

48" NW6270L-48BK Black
NW6270L-48HDG Hot Dip Galvanized

CASE QTY	WEIGHT
5	36 lbs



VINYL

METAL

WOOD

CHAIN LINK

MITER-LESS WOOD CAPS

These slip-over, Miter-less wood caps are made from a single solid block of mahogany wood. Eliminating the miter joints has solved the age old problem of post caps splitting at the corners. By making the cap out of one solid piece of wood, it has eliminated the need for any glue or staples to hold the cap together.

 Made From High Quality Mahogany Wood



Theirs



Ours

 Guaranteed not to separate at corners

TRADITIONAL



WPC-312-TRD

► Fits a standard 4 x 4 post measuring 3-1/2" square

CASE QTY	WEIGHT
54	35 lbs

PYRAMID



WPC-312-PYR

► Fits a standard 4 x 4 post measuring 3-1/2" square

CASE QTY	WEIGHT
45	35 lbs

WPC-334-PYR

► Fits a 4 x 4 post measuring 3-3/4" square

CASE QTY	WEIGHT
54	35 lbs

NEW ENGLAND



WPC-312-NWENG

► Fits a standard 4 x 4 post measuring 3-1/2" square

CASE QTY	WEIGHT
45	35 lbs

WPC-334-NWENG

► Fits a 4 x 4 post measuring 3-3/4" square

CASE QTY	WEIGHT
45	35 lbs

WPC-534-NWENG

► Fits a 6 x 6 post measuring 5-1/2" to 5-3/4" square

CASE QTY	WEIGHT
20	45 lbs

COPPER AND STAINLESS STEEL CAPS

The 20 gauge copper post caps are made of 100% copper and have a natural look that will patina to a green color over time. The stainless steel caps are 20 gauge stainless steel. The caps will fit 4 x 4 and 6 x 6 posts and include 2 screws for mounting.

TRADITIONAL



COPPER

WPC-312-COPP

► Fits a standard 4 x 4 post measuring 3-1/2" square

CASE QTY	WEIGHT
25	6 lbs

WPC-534-COPP

► Fits a 6 x 6 post measuring 5 1/2 to 5 3/4" square

CASE QTY	WEIGHT
25	11 lbs

TRADITIONAL



STAINLESS STEEL

WPC-312-SS

► Fits a standard 4 x 4 post measuring 3 1/2" square

CASE QTY	WEIGHT
25	6 lbs

WPC-534-SS

► Fits a 6 x 6 post measuring 5 1/2 to 5 3/4" square

CASE QTY	WEIGHT
25	11 lbs

METAL-WOOD COMBINATION

4 x 4 POST SIZE ONLY

Order a copper or stainless steel cap and a Traditional 4 X 4 Miter-less wood cap for a metal-wood combination



WPC-312-COPP
WPC-312-TRD

Both SKUs must be ordered together to match image above.

WOOD GATE FRAME

NW6260-SB-BK Black, Short with attached hinges for 3' or 4' gates

NW6260-TB-BK Black, Tall with attached hinges for 5' or 6' gates

NW6260NH-SB-BK Black, Short without hinges for 3' or 4' gates

NW6260NH-TB-BK Black, Tall without hinges for 5' or 6' gates

▶ Powder coated steel

CASE QTY	WEIGHT
1	16 lbs

TO ASSEMBLE:

1. Cut (2) 2 x 4's 2" shorter than the gate opening
2. Attach 2 x 4's to frame with enclosed screws
3. Nail gate boards to 2 x 4's
4. Mount gate to fence post using the lag screws enclosed

Avoid sagging & warping with easy-to-make gates.

GATE BRACES

NW6132 Black or White

▶ 43" x 3" x 3"

CASE QTY	WEIGHT
10	25 lbs

WI-AGF

- ▶ Zinc plate polyester coated
- ▶ Fits 3' X 3' to 6' X 6' gates
- ▶ Cross brace included to set final destination

CASE QTY
1

PATENT PENDING

GATE SAVER PRO

NW-GSP2-BK - Gate Saver Pro - Black

NW-GSP2-WH - Gate Saver Pro - White

- ▶ Prevents and Fixes Sagging on Wooden and Vinyl Gates
- ▶ Accommodates wood gates from 36" to 72" wide

CASE QTY	WEIGHT
6	20 lbs



NW6132 gate braces shown above



Sturdy Attachment Brackets

Adjustable

Images shown above are Gate Saver Pro

NYLON GATE HANDLE WITH BUMPER



- WI-NGH-SB (NW6143S-BK) Black
 WI-NGH-SB-WH (NW6143S-WH) White
- ▶ Made with durable glass-filled nylon with UV inhibitors
 - ▶ Flanges are each 2"(W) x 1.75"(D) for durable attachment
 - ▶ Overall height is 4.5" and handle is 1" deep
 - ▶ Very comfortable and easy to grasp
 - ▶ Stainless steel screws included

CASE QTY	WEIGHT
50	25 lbs

Rubber pad backing absorbs gate slamming shock, reducing latch wear



NYLON GATE BUMPER



- NW6186-SD-BK
 NW6186-SD-WH
- ▶ Made with durable glass-filled nylon with UV inhibitors
 - ▶ Flanges are each 2"(W) x 1.75"(D) for durable attachment
 - ▶ Overall height is 4.5"
 - ▶ Stainless steel screws included

CASE QTY	WEIGHT
50	22 lbs



PATENTED

SHOTGUN® GATE CLOSER CONTROLLED CLOSING POWER TO AVOID GATE SLAMMING

- ▶ One SKU closes any gate up to 250 lbs*
- ▶ Anti-slam technology
- ▶ Adjustable closing speed
- ▶ No oil therefore no leaks

CASE QTY	WEIGHT
10	67 lbs

SHOTGUN-BK Black
 SHOTGUN-SC Satin Chrome

*Tested on a 6' high, 6' wide. Needs a gate stop at 90 degrees



6" STANDARD GATE HANDLE

- ▶ Zinc plated steel
- ▶ Screws included
- ▶ Also available in quantities of 50

CASE QTY	WEIGHT
100	19 lbs

NW257-26Q (WI-SGH-6) Black
NW257-56 (WI-SGH-6W) White



9" STANDARD GATE HANDLE

- ▶ Zinc plated steel with black finish
- ▶ Screws with black finish
- ▶ Also available in quantities of 50

CASE QTY	WEIGHT
100	31 lbs

NW38398Q (WI-SGH-9)

Also Available in Hammered Bronze



9" ORNAMENTAL GATE HANDLE

- ▶ Zinc plated steel with black finish
- ▶ Screws with black finish
- ▶ Does not match or fit handle from the NW38307 Thumb Latch Kit
- ▶ Also available in quantities of 50

CASE QTY	WEIGHT
100	43 lbs

NW38396Q (WI-OGH-9)



11" ORNAMENTAL GATE HANDLE

- ▶ Zinc plated steel with black finish
- ▶ Screws with black finish
- ▶ Matches and fits the handle from the NW38307 Thumb Latch Kit
- ▶ Also available in quantities of 50

CASE QTY	WEIGHT
100	43 lbs

NW38307HANDLE



NYLON GATE HANDLE

- ▶ Made with durable glass-filled nylon with UV inhibitors
- ▶ Flanges are each 1.5"(W) x 1.25"(D) for durable attachment
- ▶ Overall height is 5" and handle is .75" deep
- ▶ Very comfortable and easy to grasp
- ▶ Stainless steel screws included

CASE QTY	WEIGHT
50	8 lbs

NW314S-BK Black (WI-NGH)
NW314S-WH White (WI-NGH-W)



2" x 4" RAIL MOUNTING BRACKET - STEEL

NW288-MI (WI-RMB-2x4)

- ▶ Zinc plated steel finish

NW288-GV (WI-RMB-2x4-HDG)

- ▶ Galvanized

CASE QTY	WEIGHT
400	45 lbs



ROUND POST TO WOOD BRACKET

- ▶ Pre-Galvanized
- ▶ No screws included
- ▶ Chain Link Post to Wood Panels

CASE QTY	WEIGHT
50	23 lbs

NW6287-PG 2-3/8"

- ▶ Adjustable Chain Link to Wood brackets

CASE QTY	WEIGHT
25	19 lbs

CL-8000 1-5/8"

CASE QTY	WEIGHT
25	24 lbs

CL-8001 2"

CASE QTY	WEIGHT
25	25 lbs

CL-8002 2.5"

CASE QTY	WEIGHT
25	31 lbs

CL-8010 3"

- ▶ 2-3/8" Chain Link to Wood Adaptor

CASE QTY	WEIGHT
56	50 lbs

CL-8009

CHAIN LINK TO WOOD PANEL BRACKET

- ▶ Chain Link to Wood Adaptor
- ▶ One-piece top clamp with one-piece base
- ▶ Carriage bolts included

CASE QTY	WEIGHT
100	19 lbs

CL-8003 1-5/8"

CASE QTY	WEIGHT
100	18 lbs

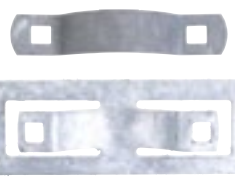
CL-8004 1-7/8"

CASE QTY	WEIGHT
100	21 lbs

CL-8005 2-3/8"

CASE QTY	WEIGHT
100	22 lbs

CL-8008 2-7/8" (WI-WSA-BASE2) 2-3/8"



VINYL

METAL

WOOD

CHAIN LINK

DIE CAST PLUG

- ▶ 2-1/2" diameter Die cast Plug
- ▶ Aluminum A360 Alloy

CASE QTY	WEIGHT
200	30 lbs

WI-DCP



10" GATE SPRING

- ▶ Zinc plated steel with black finish
- ▶ Screws with black finish
- ▶ Adjustable tension

CASE QTY	WEIGHT
40	53 lbs

NW38304-PQ



GATE ANTI-SAG KIT - STEEL

NW38309Q

- ▶ Zinc plated steel finish
- ▶ Screws with zinc plate finish
- ▶ Cable length is 9'

CASE QTY	WEIGHT
50 kits	31 lbs

NW38309-SSM

- ▶ Same as NW38309Q but in stainless steel with mill finish



STEEL ANTI-SAG KIT

NW6296-BK

Steel Cable with Black Plastic Coating

NW6296-CL

Steel Cable with Clear Plastic Coating

NW6296-WH

Steel Cable with White Plastic Coating

- ▶ Cable Length is 9'

CASE QTY	WEIGHT
50	32 lbs



LAG SCREWS



NW5162

- ▶ Zinc plated steel with black finish
- ▶ 5/16" x 2"

CASE QTY	WEIGHT
850	33 lbs

NW5162Q

- ▶ HDG steel with black finish
- ▶ 5/16" x 2"

CASE QTY	WEIGHT
850	33 lbs

POST HOLE DIGGERS & TOOLS

- ▶ Wood Handle

CASE QTY
1

WI-006

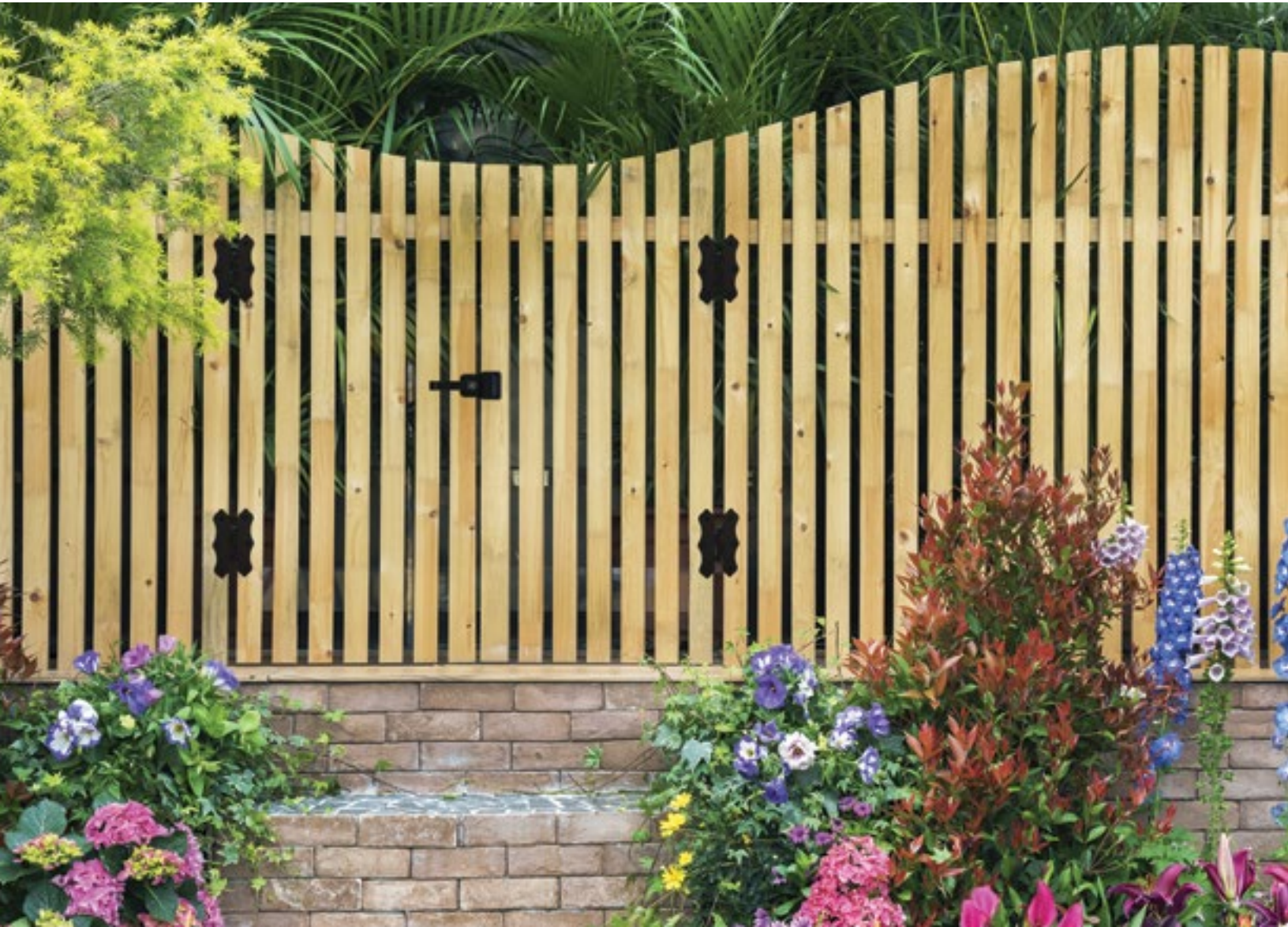


- ▶ Torque Bar

CASE QTY
1

WI-CB06





WHERE FORM MEETS FUNCTION

For Fence and Railing Hardware

Innovation at its core—35 patents earned, 2,000 SKUs and 30+ Million Cycle Warranty Products. Each one of the more than 2,000 SKUs engineered by Nationwide Industries™ is manufactured to outlast, outperform, and simply outshine any other brand of fence and gate hardware.

CHAIN LINK FENCE & GATE HARDWARE

TABLE OF CONTENTS

Innovative Products	114
Hinges	118
Latches	120
Collars, Forks and Rollers	122
Rollers, Covers, Receivers and Trolleys	123
Trolley Brackets, Guides and Assemblies	126
Drop Rods and Wheels	128
Brackets, Post Caps and Rail Ends	130
Rail Ends, Clamps and Sleeves	132
Bands and Barb Arms	134
Bolts, Plugs and Accessories	136
Tools and Kits	138

NATIONWIDE
INDUSTRIES®





PATENTED



TRIDENT™
SAFE SIGNAL™
BY NATIONWIDE INDUSTRIES®

NEW! TRIDENT™ SAFE SIGNAL

- ▶ Safe-Notch™ engages and remains closed upon contact
- ▶ Alarms if gate is left unlatched for more than 15 seconds
- ▶ Flashing LED lights provide visual warning of unlatched gate
- ▶ Easy Installation without the need of special tools
- ▶ Fits all square post gate applications



CASE QTY	WEIGHT
20	47.4 lbs

TRIDENTSS20BK Black 20"

Adapter available for use with round posts. Part No. NW6149-BK



20"

PATENTED

TRIDENT™ MAGNETIC GATE LATCH

- ▶ Safe-Notch™ engages and remains closed upon contact
- ▶ Trident™ strong magnetic closing power, easy installation and guaranteed to last!
- ▶ Sophisticated, modern design
- ▶ Rust-resistant components
- ▶ Meets international pool codes, please check local pool codes prior to use



CASE QTY	WEIGHT
20	26 lbs

TRIDENT20-BK Black 20"

TRIDENT20-WH White 20"

TRIDENT10-BK Black 10"

TRIDENT10-WH White 10"

Adapter available for use with round posts. Part No. NW6149-BK

i Available in Keyed Alike (-KA)



10"

10"

20"

20"

PATENTED

AQUALATCH® MAGNETIC GATE LATCH

- ▶ SafeAlert™ red alert area appears when disengaged
- ▶ Heavy-duty construction
- ▶ Beautiful, modern design
- ▶ Multi-directional leveling for misaligned gates
- ▶ Excellent horizontal and vertical adjustability
- ▶ Fits right or left handed gates
- ▶ Industry-BEST Warranty



CASE QTY	WEIGHT
20	24 lbs

AQUA10-BK Black AquaLatch® w/Std Keeper

AQUA10-WH White AquaLatch® w/Std Keeper

AQUA10H-BK Black AquaLatch® w/Handle/Keeper

AQUA10H-WH White AquaLatch® w/Handle/Keeper

AQUA20-BK Black AquaLatch® w/Std Keeper

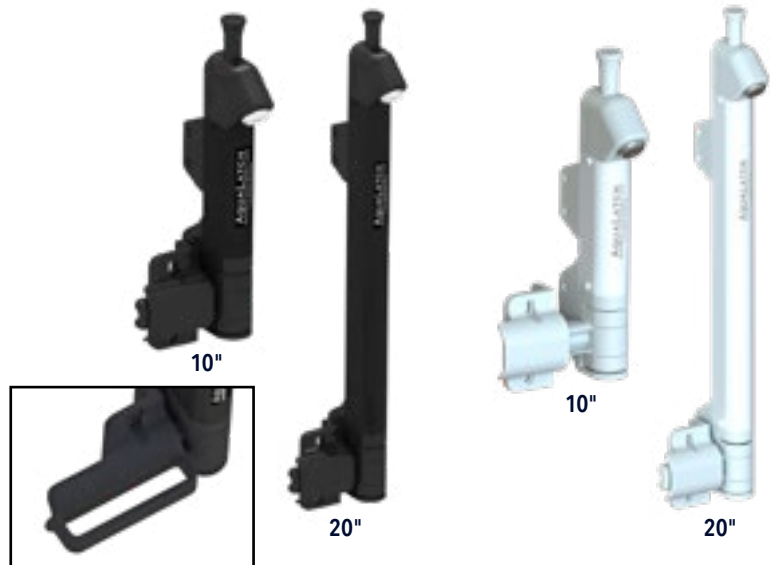
AQUA20-WH White AquaLatch® w/Std Keeper

AQUA20H-BK Black AquaLatch® w/Handle/Keeper

AQUA20H-WH White AquaLatch® w/Handle/Keeper

Adapter available for use with round posts. Part No. NW6149-BK

i Available in Keyed Alike (-KA)



10"

10"

20"

20"

ROUND POST ADAPTER FOR POOL LATCH

NW6149-BK

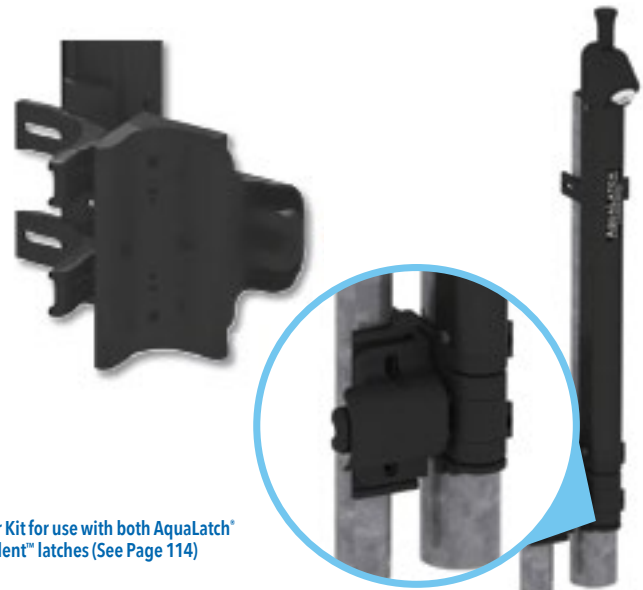
- ▶ Shims included in adapter kit

CASE QTY	WEIGHT
20	91 lbs

 Easy to Install Kit

TUBING SIZE CHART

Gate Frame Size	Fence Post Size
1-3/8"	1-7/8" / 2"
1-5/8"	2-3/8"
	2-5/8"
	2-7/8"



 Adapter Kit for use with both AquaLatch® and Trident™ latches (See Page 114)

PATENTED

ZIP-LATCH® 20" GRAVITY LATCH

- ▶ Fits gate frames 1-3/8" to 2"
- ▶ Fits fence posts sizes 2" to 3"
- ▶ Used for Chain Link Pool Gates
- ▶ Positive stop one-way swing function that meets pool code**
- ▶ Heavy-duty Design
- ▶ Anti-tamper design for round post gates

CASE QTY	WEIGHT
20	45 lbs

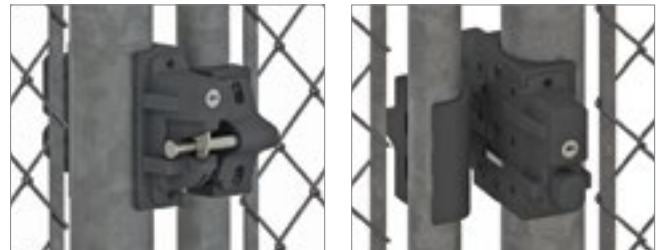
CL-7240-BK

CL-7240-L-BK (pad-lockable)



CL-7240-L-BK shown

ROUND POST ADAPTER FOR CHAIN LINK GATES



FRONT

KLX-RP-KIT-BK Black

- ▶ Includes mounting screws

BACK

CASE QTY	WEIGHT
10	24 lbs

VINYL

METAL

WOOD

CHAIN LINK

PATENTED

KEYSTONE® PANICLATCH™

An easy way to have a key locking latch on a chain link!

KPL-P2-BK Black

CASE QTY	WEIGHT
6	9 lbs

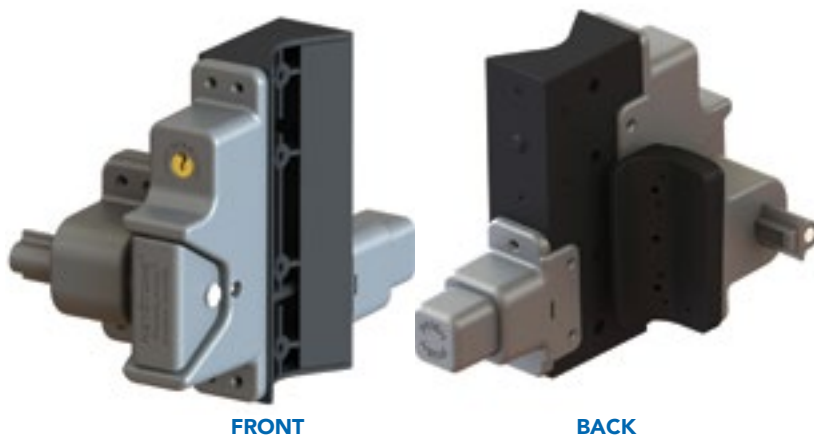


KEYSTONE® PANICLATCH™ ROUND POST ADAPTOR ONLY

- ▶ Keystone® Self-Locking Paniclatch™ sold separately (adapter only).
- ▶ Designed to work on 2" to 6-5/8" on the latch side (post) and 1-3/8" to 2" on the keeper side (gate).

CASE QTY	WEIGHT
6	9 lbs

KPL-RPA-BK



Color difference applied to show round post adapter - part is black.

PATENTED

GATESHARE™ LATCH - MULTI-LOCK LATCH - SINGLE GATE

- ▶ Remove any padlock and the gate can be opened
- ▶ All padlocks must be used to have the latch locked
- ▶ Total Lock-out Feature - Owner can lock everyone out
- ▶ Individual Lock-out Feature - Owner can lock out anyone
- ▶ Black or hot dipped galvanized finishes
- ▶ Padlocks not included

i Ideal for construction sites, utility sites, drilling sites and storage areas!



Available for 5, 7 or 10 Padlocks.
For single gates, fitting a 1-5/8" or 2" gate frame and latching on a 2-1/2", 3" or 4" post.

Number	Color	Post Size	Padlocks	Quantity / Weight
GSL-5-25POST-BK	Black	2.5"	5	5/Case @ 46 lbs
GSL-5-25POST	Galvanized	2.5"	5	5/Case @ 46 lbs
GSL-5-30POST-BK	Black	3"	5	5/Case @ 46 lbs
GSL-5-30POST	Galvanized	3"	5	5/Case @ 46 lbs
GSL-5-40POST-BK	Black	4"	5	5/Case @ 46 lbs
GSL-5-40POST	Galvanized	4"	5	5/Case @ 46 lbs
GSL-7-25POST-BK	Black	2.5"	7	6/Case @ 53 lbs
GSL-7-25POST	Galvanized	2.5"	7	6/Case @ 53 lbs
GSL-7-30POST-BK	Black	3"	7	6/Case @ 53 lbs
GSL-7-30POST	Galvanized	3"	7	6/Case @ 53 lbs
GSL-7-40POST-BK	Black	4"	7	6/Case @ 53 lbs
GSL-7-40POST	Galvanized	4"	7	6/Case @ 53 lbs
GSL-10-25POST-BK	Black	2.5"	10	5/Case @ 48 lbs
GSL-10-25POST	Galvanized	2.5"	10	5/Case @ 48 lbs
GSL-10-30POST-BK	Black	3"	10	5/Case @ 48 lbs
GSL-10-30POST	Galvanized	3"	10	5/Case @ 48 lbs
GSL-10-40POST-BK	Black	4"	10	5/Case @ 48 lbs
GSL-10-40POST	Galvanized	4"	10	5/Case @ 48 lbs

PATENTED

GATESHARE™ LATCH - MULTI-LOCK DOUBLE DRIVE LATCH

- ▶ Remove any padlock and the gate can be opened
- ▶ All padlocks must be used to have the latch locked
- ▶ Total Lock-out Feature - Owner can lock everyone out
- ▶ Individual Lock-out Feature - Owner can lock out anyone
- ▶ Black or hot dipped galvanized finishes



* Padlocks not included

Available for 5, 7 or 10 Padlocks.
For Double Drive gates, fitting a 1-7/8" gate frame and latching on a 2-1/2" gate frame.

Number	Color	Post Size	Padlocks	Quantity / Weight
GSL-5-DD-BK	Black	2.5"	5	5/Case @ 46 lbs
GSL-5-DD	Galvanized	2.5"	5	5/Case @ 46 lbs
GSL-7-DD-BK	Black	2.5"	7	6/Case @ 53 lbs
GSL-7-DD	Galvanized	2.5"	7	6/Case @ 53 lbs
GSL-10-DD-BK	Black	2.5"	10	5/Case @ 48 lbs
GSL-10-DD	Galvanized	2.5"	10	5/Case @ 48 lbs

HEAVY-DUTY SELF-CLOSING HINGE

- CL-7210-GY Gray
CL-7210-BK Black
- ▶ Fits 1-3/8" or 1-5/8" gate frames
 - ▶ Fits 2-3/8" to 2-7/8" posts

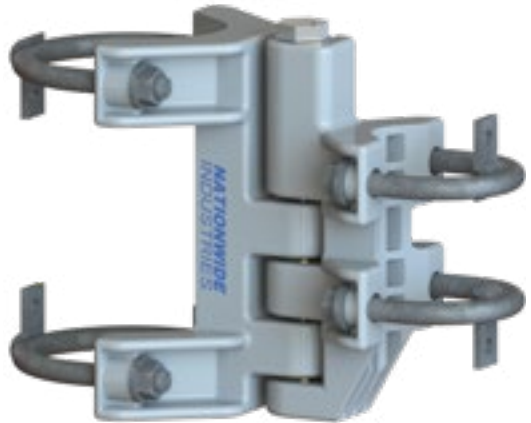
CASE QTY	WEIGHT
10	32 lbs

- CL-7211-GY Gray
CL-7211-BK Black
- ▶ Fits 1-3/8" to 1-7/8" gate frames
 - ▶ Fits 2-3/8" to 2-7/8" posts

CASE QTY	WEIGHT
10	32 lbs

- CL-7212-GY Gray
CL-7212-BK Black
- ▶ Fits 1-3/8" to 1-7/8" gate frames
 - ▶ Fits 4" posts

CASE QTY	WEIGHT
10	35 lbs



CORNERSTONE® SELF-CLOSING ROUND POST FULLY ADJUSTABLE HINGE

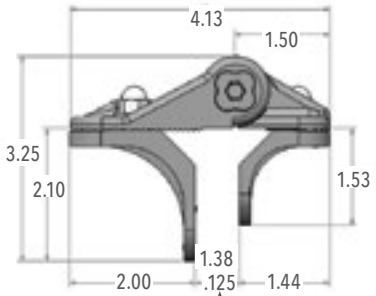
- CH200FR-BK Black
- ▶ Shims to 1-7/8", 2-3/8", 2-5/8" or 2-7/8" post and 1-3/8" or 1-5/8" frame
 - ▶ Horizontally adjustable up to 1-1/4"
 - ▶ Vertically adjustable up to 1/2"
 - ▶ Fits both right and left hand applications
 - ▶ Includes steel self-drilling screws



CASE QTY	WEIGHT
20 pair	40 lbs

i Point-load tested over 1,000 lbs per pair

Tested to 1 Million Cycles on a 75 lb gate 6' High x 4' Wide



Double dimensions indicate range of adjustability

BULLDOG HINGE

Pressed Steel

- ▶ All fit: 1-5/8" or 1-7/8" gate frame
- ▶ Available in black



Number	Size	Quantity / Weight
CL-5175	2-3/8"	10/Case @ 30lbs
CL-5176	2-7/8"	10/Case @ 30bs
CL-5177	4"	10/Case @ 28lbs
CL-5178	6-5/8"	10/Case @ 28lbs

MALLEABLE BOX HINGE

Malleable-ball and socket type

- ▶ All fit: 1-5/8" or 1-7/8" gate frame
- ▶ Available in black



Number	Size	Quantity
CL-BXH-A238	2-3/8"	4/Case @ 17lbs
CL-BXH-A3	2-7/8"	10/Case @ 45lbs
CL-BXH-A312	3-1/2"	4/Case @ 19lbs
CL-BXH-A4	4"	4/Case @ 47lbs
CL-BXH-A658	6-5/8"	2/Case @ 23lbs

INDUSTRIAL BOX HINGE

Pressed Steel

- ▶ All fit: 1-5/8" or 1-7/8" gate frame
- ▶ Available in black



Number	Size	Qty / Weight
CL-5170	2-3/8"	10/Case @ 36lbs
CL-5171	2-7/8"	10/Case @ 38bs
CL-5172	4"	5/Case @ 20 lbs
CL-5174	6-5/8"	5/Case @ 25 lbs

INDUSTRIAL 180 DEGREE HINGES

Pressed Steel - complete

- ▶ Fits gate frames 1-5/8" or 1-7/8"
- ▶ 4mm thickness (5mm available check with customer service)
- ▶ Available in Black



Number	Size	Quantity
CL-5179	2-3/8"	10/Case
CL-5180	2-7/8"	10/Case
CL-5182	4"	5/Case
CL-5184	6-5/8"	4/Case

INDUSTRIAL OFFSET HINGES

Malleable, Complete

- ▶ Fits gate frames 1-5/8" or 1-7/8"
- ▶ Available in Black



Number	Size	Quantity
CL-5190	2-3/8"	4/Case
CL-5191	2-7/8"	4/Case
CL-5192	3-1/2"	4/Case
CL-5193	4"	4/Case
CL-5195	6-5/8"	2/Case

FEMALE GATE HINGES

Pressed Steel without bolts

- ▶ 1" Width, 3/16" GA
- ▶ 1-1/4" Width available (please check with customer service)
- ▶ Available in Black



Number	Size	Quantity
CL-5141	1-3/8" x 5/8"	100/Case
CL-5142	1-5/8" x 5/8"	100/Case
CL-5143	1-7/8" x 5/8"	100/Case
CL-5144	1-3/8" x 1/2"	100/Case
CL-5145-BK	1-5/8" x 1/2"	100/Case

MALE POST HINGES

Pressed Steel without bolts

- ▶ 1" Width, 3/16" GA
- ▶ 1-1/4" Width available (please check with customer service)
- ▶ Available in Black



Number	Size	Quantity
CL-5153	1-3/8" x 5/8"	50/Case
CL-5154	1-5/8" x 5/8"	50/Case
CL-5155	1-7/8" x 5/8"	50/Case
CL-5156	2-3/8" x 5/8"	50/Case
CL-5157	2-7/8" x 5/8"	50/Case
CL-5158	1-7/8" x 1/2"	50/Case
CL-5159	2-3/8" x 1/2"	50/Case

180 DEGREE ROUND POST TO SQUARE FRAME HINGES

HDG Steel

- ▶ Fits 2" Gate frames



Number	Size	Quantity
WI-79	4" Round Post	6/Case
WI-80	3" Round Post	6/Case
WI-81	6-5/8" Round Post	4/Case

180 DEGREE SQUARE TO SQUARE HINGES

- ▶ Fits 2" Gate frames
- ▶ Available in Black in most sizes (Please check with customer service)



Number	Size	Quantity
WI-77	2-1/2"	6/Case
WI-76	3"	6/Case
WI-75	4"	6/Case
WI-78	6-5/8"	5/Case

GRAVITY HINGES

Pressed Steel

- ▶ 2-slot, 2-Way Swing
- ▶ Available in Black



- ▶ 1-Slot/1-Hole, 1-Way Swing
- ▶ Available in Black

Number	Size	Quantity
CL-5270	1-3/8" x 1-7/8"	10/Case
CL-5271	1-3/8" x 2-3/8"	10/Case
CL-5272	1-5/8" x 2-3/8"	10/Case
CL-5273	1-5/8" x 2-7/8"	10/Case

RESIDENTIAL HINGES

Malleable, Complete Female Hinges

- ▶ Available in Black

Number	Size	Quantity
CL-5196	1-3/8"	50/Case
CL-5197	1-5/8"	50/Case



Malleable, Complete Male Hinges

- ▶ Available in Black

Number	Size	Quantity
CL-5198	1-7/8"	50/Case
CL-5199	2-3/8"	50/Case
CL-5200	2-7/8"	50/Case



HDG

WI-ISPH

- ▶ 2-1/2" x 1-3/8"
- ▶ Self-Closing

CASE QTY
30



WALL MOUNT HINGE

Pressed Steel

CL-5201

- ▶ Plate is 3" x 4-1/2"
- ▶ Available in Black
- ▶ 5/8"

CASE QTY	WEIGHT
50	45 lbs





COMMERCIAL DOUBLE DRIVE GATE LATCH

- ▶ Heavy-duty steel construction
- ▶ 2 pad lock locations
- ▶ Fits 1-5/8" or 1-7/8" gate frames
- ▶ If used without keeper for single gate, it may still be pad locked



i Easy to use alternative pad lock location

Number	Description	Qty / Weight
CL-CDL	Hot Dip Galvanized	6/Case @ 50 lbs
CL-CDL-BK	Black Zinc Plated Steel	6/Case @ 50 lbs
CL-CDL-HD	Heavy-duty Powder Coated	6/Case @ 50 lbs

COMMERCIAL SINGLE GATE LATCH

- ▶ Fits 1-5/8" or 1-7/8" gate frames
- ▶ 6/Case @ 34 lbs



i Easy to reach pad lock location from either side

Number	Description of Gate Latch
CL-CSL212	Hot Dip Galvanized for 2-1/2" Post
CL-CSL212-BK BK	Black Zinc Plated Steel & Powder Coated for 2-1/2" Post
CL-CSL3	Hot Dip Galvanized for 3" Post
CL-CSL3-BK	Black Zinc Plated Steel & Powder Coated for 3" Post
CL-CSL4	Hot Dip Galvanized for 4" Post
CL-CSL4-BK	Black Zinc Plated Steel & Powder Coated for 4" Post

PUSH LATCH

- ▶ Black and gray finish available
- ▶ Powder coated steel tube
- ▶ Tapered bushing for locking hole
- ▶ Threaded U-Bolt mounting

Number	Color	Size	Quantity
CL-7219-BK*	Black	1-3/8" x 1-3/8"	25/Case
CL-7220-BK	Black	1-3/8" x 1-5/8"	25/Case
CL-7221-BK*	Black	1-3/8" x 1-7/8"	25/Case
CL-7222-BK*	Black	1-3/8" x 2-3/8"	25/Case
CL-7223-BK	Black	1-5/8" x 1-5/8"	25/Case
CL-7224-BK*	Black	1-5/8" x 1-7/8"	25/Case
CL-7225-BK*	Black	1-5/8" x 2-3/8"	25/Case
CL-7227-GY	Gray	1-5/8" x 2-7/8"	25/Case

* Available in Gray (-GY)



RESIDENTIAL DOUBLE GATE LATCH

- CL-RDL Hot Dip Galvanized
- CL-RDL-BK Black Zinc Plated Steel and Powder Coated
- ▶ Heavy-duty steel construction
- ▶ 2 pad lock locations
- ▶ If used without keeper for single gate, it may still be pad locked
- ▶ Fits 1-3/8" gate frames
- ▶ 2/Case @ 6 lbs

i Easy to use alternative pad lock location



FULCRUM LATCH

HDG

WI-FL-2-1/2 2-1/2"
WI-FL-2-1/2-BK 2-1/2"

▶ 6/Case @ 22 lbs

WI-FL-3 3"
WI-FL-3-BK 3"

▶ 6/Case @ 24 lbs

WI-FL-4 4"
WI-FL-4-BK 4"

▶ Heavy-duty Latch for Large Single Swing Gates
▶ Fits 2" Gate Frames
▶ 6/Case @ 24 lbs

WI-FL-6-5/8
WI-FL-6-5/8-BK

▶ 6/Case @ 40 lbs



SELF-CLOSING AND LOCKING LATCH

Malleable HDG

WI-LF-LATCH

▶ 3" x 1-5/8"
▶ 12/Case @ 62 lbs

WI-AF-LATCH

▶ 3" Post weld on keeper
▶ 10/Case @ 62 lbs



GATE FORK LATCH

Pressed Steel Complete

▶ Available in Black



Number	Size	Quantity
CL-5202	1-3/8" x 1-3/8"	25/Case
CL-5203	1-3/8" x 1-5/8"	25/Case
CL-5204	1-3/8" x 1-7/8"	25/Case
CL-5205	1-3/8" x 2-3/8"	25/Case
CL-5206	1-3/8" x 2-7/8"	25/Case
CL-5207	1-5/8" x 1-7/8"	25/Case
CL-5208	1-5/8" x 2-3/8"	25/Case
CL-5209	1-5/8" x 2-7/8"	25/Case
CL-5210	1-5/8" x 4"	25/Case
CL-5211	1-7/8" x 1-7/8"	25/Case
CL-5212	1-7/8" x 2-3/8"	25/Case
CL-5213	1-7/8" x 2-7/8"	25/Case
CL-5214	1-7/8" x 4"	25/Case

GATE FORK LATCH

Malleable, Complete

▶ Available in Black



Number	Size	Quantity
CL-5217	1-3/8" x 1-7/8"	25/Case
CL-5218	1-3/8" x 2-3/8"	25/Case
CL-5219	1-3/8" x 2-7/8"	25/Case
CL-5220	1-5/8" x 1-7/8"	25/Case
CL-5221	1-5/8" x 2-3/8"	25/Case
CL-5222	1-5/8" x 2-7/8"	25/Case
CL-5223	1-5/8" x 3-1/2"	25/Case
CL-5224	1-5/8" x 4"	25/Case
CL-5225	1-7/8" x 2-3/8"	20/Case
CL-5226	1-7/8" x 2-7/8"	20/Case
CL-5227	1-7/8" x 3-1/2"	20/Case
CL-5228	1-7/8" x 4"	20/Case

BUTTERFLY LATCH

AL/ Pressed Steel

▶ Available in Black



Number	Size	Quantity
CL-5229	1-3/8" x 1-7/8"	25/Case

LOCK N' LATCHES

Pressed Steel

▶ Available in Black



Number	Size	Quantity
CL-5231	Offset	25/Case
CL-5232	Straight	25/Case

VINYL

METAL

WOOD

CHAIN LINK

PRESSED STEEL COLLARS

Pressed Steel

▶ Available in Black



Number	Size	Quantity
CL-7080	1-3/8"	100/Case
CL-7081	1-5/8"	100/Case
CL-7082	1-7/8"	100/Case

FORKS

Pressed Steel

▶ Available in Black



Number	Size	Quantity
CL-7090	1-3/8"	100/Case
CL-7095	1-5/8"	100/Case
CL-7091	2"	100/Case
CL-7092	2-1/2"	100/Case
CL-7093	3"	100/Case
CL-7094	4"	50/Case

INDUSTRIAL LATCH ASSEMBLY

Malleable

▶ Available in Black



Number	Size	Quantity
CL-5233	1-5/8" x 1-7/8"	8/Case

ROLLING GATE LATCHES

Pressed Steel

▶ Available in Black



Number	Size	Quantity
CL-6011	1-5/8"	20/Case
CL-6012	1-7/8"	20/Case
CL-6013	Universal	20/Case

FLAT BACK FORK LATCH

Pressed Steel



Number	Size	Quantity
CL-7200	1-3/8"	50/Case

CANTILEVER GATE LATCHES

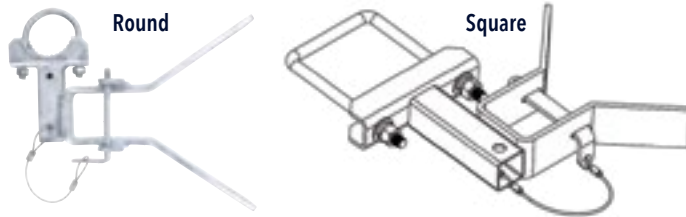
Malleable

▶ Available in Black
▶ Latches up to a 1-7/8" Post



Number	Size	Quantity
CL-7231	2-7/8"	10/Case
CL-7232	4"	10/Case

CANTILEVER GATE RECEIVERS



Number	Size	Qty / Weight
CL-7233	2-7/8" round w/locking bar	4/Case @ 10 lbs
CL-7234	4" round w/locking bar	4/Case @ 10 lbs
CL-7233SQ	2-7/8" square w/locking bar	4/Case @ 10 lbs
CL-7234SQ	4" square w/locking bar	4/Case @ 10 lbs

WI-GR-4S

- ▶ 4" Square Post x 2-3/8" Frame
- ▶ 16/Case @ 55 lbs

WI-GR-4R

- ▶ 4" Round Post x 2-3/8" Frame
- ▶ 16/Case @ 55 lbs

WI-GR-6 5/8R

- ▶ 6-5/8" Round Post x 2-3/8" Frame
- ▶ 12/Case @ 50 lbs



MULTI-ADJUSTABLE GATE RECEIVER

WI-GR-4R-A

- ▶ 4" Round Post x 2-3/8" Frame
- ▶ 7/Case @ 40 lbs



GATE RECEIVER WITH INSERT

WI-GR-4SIS

- ▶ 4" Square Post x 2-3/8" Frame
- ▶ 8/Case @ 48 lbs



WI-GR-4RIS

- ▶ 4" Round Post x 2-3/8" Frame
- ▶ 8/Case @ 48 lbs



WI-SPLI-S

- ▶ 4" Square Post x 2-3/8" Frame
- ▶ 9/Case @ 55 lbs



WI-SPLI

- ▶ 4" Round Post x 2-3/8" Frame
- ▶ 9/Case @ 55 lbs

NYLON CANTILEVER ROLLERS

Cast Steel Housing / Double Sealed Bearings

WI-CR3-N

- ▶ 4" x 2-3/8"
- ▶ 4/Case @ 52 lbs



WI-CR3-N-TBC

- ▶ 4" x 2-3/8"
- ▶ 2/Case @ 35 lbs



Stamped Steel Housing / Double Sealed Bearings

WI-CR7-N

- ▶ 4" x 2-3/8"
- ▶ 4/Case @ 52 lbs



WI-CR7-N-TBC

- ▶ 4" x 2-3/8"
- ▶ 4/Case @ 56 lbs



Cast Aluminum Housing / Double Sealed Bearings

WI-CR8-N

- ▶ 3" x 2-3/8"
- ▶ 4/Case @ 45 lbs



Ductile Iron Housing / Double Sealed Bearings

WI-CR4-N

- ▶ 6-5/8" x 2-3/8"
- ▶ 4/Case @ 72 lbs



Cast Aluminum Housing / Round Nylon Roller w/square post

WI-CR6-N-3R

- ▶ 4" x 2-3/8"
- ▶ 4/Case @ 45 lbs



VINYL

METAL

WOOD

CHAIN LINK

Cast Aluminum Housing / Square Nylon Roller

- WI-CR6-N
 ▶ 4" x 2"
 ▶ 4/Case @ 45 lbs



- WI-CR3-N-6S
 ▶ 4" x 2"
 ▶ 4/Case @ 45 lbs



CAST IRON CANTILEVER ROLLERS

Ductile Iron Housing / Double Sealed Bearings

- WI-CR3-C
 ▶ 4" x 2-3/8"
 ▶ 4/Case @ 75 lbs



- WI-CR3-C-TBC
 ▶ 4" x 2-3/8"
 ▶ 2/Case @ 45 lbs



Ductile Iron Housing / Double Sealed Bearings

- WI-CR8-C
 ▶ 3" x 2-3/8"
 ▶ 4/Case @ 45 lbs



Stamped Iron Housing / Double Sealed Bearings

- WI-CR7-C
 ▶ 4" x 2-3/8"
 ▶ 4/Case @ 45 lbs



- WI-CR7-C-TBC
 ▶ 4" x 2-3/8"
 ▶ 4/Case @ 50 lbs



RESIDENTIAL CANTILEVER ROLLERS

Nylon Wheel with cover / Double Sealed Bearings

- WI-CR9-N-TBC
 ▶ 2-3/8" x 1-5/8"
 ▶ 4/Case @ 75 lbs



MINI CANTILEVER ROLLERS

Malleable Casting / Sealed Ball Bearing

- CL-CRMS238
 ▶ 2-3/8" x 1-5/8"
 ▶ 8/Case @ 44 lbs



CANTILEVER ROLLERS

Malleable Casting / Double Sealed Ball Bearing

- ▶ Castle nut
 ▶ Dust Cap and Oil Seal



Number	Size	Qty / Weight
CL-CRMS278	2-7/8" x 2-3/8"	4/Case @ 56 lbs
CL-CRMS278C (w/cover)	2-7/8" x 2-3/8"	2/Case @ 33 lbs
CL-CRMS312	3-1/2" x 2-3/8"	4/Case @ 60 lbs
CL-CRMS658	6-5/8" x 2-3/8"	4/Case @ 84 lbs
CL-CRMS4	4" x 2-3/8"	4/Case @ 64 lbs
CL-CRMS4C (w/cover)	4" x 2-3/8"	4/Case @ 64 lbs

CANTILEVER ROLLERS SOLID NYLON WHEEL

Malleable Casting / Double Sealed Ball Bearing

- ▶ Universal top & bottom cover all in one
 ▶ Can be ordered with & without cover



Number	Size	Qty / Weight
CL-CRNYL278C-S	2-7/8" x 2-3/8" w/slotted cover	2/Case @ 29 lbs
CL-CRNYL658C-S	6-5/8" x 2-3/8" w/slotted cover	2/Case @ 40 lbs
CL-CRNYL658NC-S	6-5/8" x 2-3/8" no cover	4/Case @ 80 lbs

CANTILEVER ROLLERS RIBBED NYLON WHEEL

Wheel Cover



Number	Size	Qty / Weight
CL-CRNYL278C-R	2-7/8" x 2-3/8" w/slotted cover	2/Case @ 29 lbs
CL-CRNYL278NC-R	2-7/8" x 2-3/8" no cover	2/Case @ 21 lbs
CL-CRNYL4C-R	4" x 2-3/8" w/slotted cover	2/Case @ 31 lbs
CL-CRNYL4NC-R	4" x 2-3/8" no cover	2/Case @ 48 lbs
CL-CRNYL658C-R	6-5/8" x 2-3/8" w/slotted cover	2/Case @ 40 lbs
CL-CRNYL658NC-R	6-5/8" x 2-3/8" no cover	2/Case @ 37 lbs
CL-SCRNYL4C-S-SQ	4" x 2" w/slotted cover	2/Case @ 35 lbs

CANTILEVER COVERS

Universal Top & Bottom Cover / For All CR3 & CR7 Series Rollers

WI-TBCOVER-BWN

CASE QTY	WEIGHT
24	45 lbs



Cantilever Top Cover / For All CR3 & CR4 Series Rollers

WI-CR1-COVER

CASE QTY	WEIGHT
16	40 lbs



Cantilever Top Cover for 3" or 4"

CL-CRG4022

CASE QTY
4



TROLLEY FOR CANTILEVER GATES

NW-TROLLEY4WA

CASE QTY	WEIGHT
6	29 lbs



NW-TROLLEY8WA

CASE QTY	WEIGHT
4	31 lbs



4 WHEEL TROLLEY

WI-TROLLEY-M4S

- ▶ Cast Steel body
- ▶ Horizontal Wheels O.D. 2.125"
- ▶ Vertical Wheels O.D. 2.045"
- ▶ 12/Case



8 WHEEL TROLLEY

WI-WTS10-1

- ▶ Machined Steel body
- ▶ Horizontal Wheels O.D. 2.125"
- ▶ Vertical Wheels O.D. 2.045"
- ▶ 8/Case



WI-TROLLEY-8P

- ▶ Cast Aluminum
- ▶ 8/Case



VINYL

METAL

WOOD

CHAIN LINK

TROLLEY BRACKETS

NW-TRLLBKT-R-HD

▸ 4" Round, Heavy-duty Gage

NW-TRLLBKT-S-HD

▸ 4" Square, Heavy-duty Gage



CASE QTY	WEIGHT
6	45 lbs

NW-TRLLBKT-RD-STL - 4"

▸ Round, Heavy-duty Gage

NW-TRLLBKT-SQ-STL - 4"

▸ Square, Heavy-duty Gage



CASE QTY	WEIGHT
4	40 lbs

WI-HANG-4R - 4"

▸ Round
▸ 8/Case

WI-HANG-4S - 4"

▸ Square
▸ 8/Case

WI-HANG-6S - 6"

▸ Square
▸ 4/Case



BOTTOM GUIDE ASSEMBLY



Number	Size	Quantity
CL-7237	Round 4"	6/Case
CL-7238	Round 6-5/8"	6/Case
WI-SRBG-6-5/8 (Side Mount)	Round 6-5/8"	6/Case



Number	Size	Quantity
CL-7237-SQ	Square 4"	6/Case
CL-7238-SQ	Square 6"	6/Case

BOTTOM GUIDE ASSEMBLY

WI-BGAR

▸ 4" Round



CASE QTY	WEIGHT
4	46 lbs

OFFSET BOTTOM GUIDE ASSEMBLY

WI-SSBG0-4

▸ 4" Square



CASE QTY	WEIGHT
10	40 lbs

MULTI-ADJUSTABLE BOTTOM GUIDE ASSEMBLY

CL-7239

▸ 4" Round



CASE QTY	WEIGHT
4	80 lbs

GUIDE BRACKET



CL-6005

▸ 4"

CASE QTY	WEIGHT
8	52 lbs

GUIDE ROLLERS



CASE QTY	WEIGHT
15	38 lbs

- NW6271-BK Black
NW6271-WH White
- ▶ Plastic roller
 - ▶ Zinc plated bracket for welding
 - ▶ Bracket is 6.2" in height



CASE QTY	WEIGHT
40	21 lbs

- WI-RGR
- ▶ 3" Nylon Guide Roller
 - ▶ No cover



CASE QTY	WEIGHT
200	24 lbs

- WI-RGR-C
- ▶ Cover for WI-RGR



CASE QTY	WEIGHT
24	21 lbs

- WI-RGR-BKT
- ▶ 3" Rubber Guide roller with bracket

BEAM HANGER

HDG

Number	Size	Quantity
CL-6000	2-7/8"	4/Case
CL-6001	4"	4/Case
CL-6002	6-5/8"	2/Case



TROLLEY ASSEMBLIES

Pressed Steel - HD Trolley Roller

- ▶ Fits 6" I-Beam

Number	Size	Quantity
CL-6035	4 Rollers	2/Case

- ▶ Fits 6" I-Beam

Number	Size	Quantity
CL-6036	Single	4/Case
CL-6037	Double	2/Case



DOUBLE HANGER

Pressed Steel



Number	Size	Quantity
CL-6003	4" & 8" Spacing	4/Case

INDUSTRIAL DROP FORK & GUIDES

- ▶ Available in Black

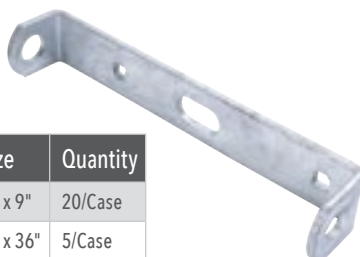


Number	Size	Quantity
CL-6100 (drop guide)	1-5/8"	50/Case
CL-6101 (drop guide)	2"	50/Case
CL-6102 (drop fork)	1-5/8"	50/Case
CL-6103 (drop fork)	2"	50/Case

DROP ROD & GUIDE

Pressed Steel

- ▶ Available in Black



Number	Size	Quantity
CL-7030 (guide only)	3/4" x 9"	20/Case
CL-7031 (drop rod only)	3/4" x 36"	5/Case

VINYL

METAL

WOOD

CHAIN LINK

COMMERCIAL DROP RODS

24" NW6270-24BK Black
NW6270-24HDG Hot Dip Galvanized

CASE QTY	WEIGHT
10	46 lbs

36" NW6270-36BK Black
NW6270-36HDG Hot Dip Galvanized

CASE QTY	WEIGHT
10	55 lbs

48" NW6270-24BK Black
NW6270-24HDG Hot Dip Galvanized

CASE QTY	WEIGHT
5	36 lbs

- ▶ Heavy-duty 1" O.D. drop rod
- ▶ Zinc plated, powder coated steel
- ▶ Through bolt design
- ▶ Can be used on vinyl, wood, aluminum or steel gates



COMMERCIAL PAD LOCKABLE DROP RODS

24" NW6270L-24BK Black
NW6270L-24HDG Hot Dip Galvanized

CASE QTY	WEIGHT
10	46 lbs

36" NW6270L-36BK Black
NW6270L-36HDG Hot Dip Galvanized

CASE QTY	WEIGHT
10	55 lbs

48" NW6270L-48BK Black
NW6270L-48HDG Hot Dip Galvanized

CASE QTY	WEIGHT
5	36 lbs



25" WI-GLDR-A Galvanized 1" O.D. x 25" long

CASE QTY	WEIGHT
25	5 lbs

CL-7033 (Drop rod only)
▶ 1/2" x 36"



NEW! MUSHROOM GATE STOP

CL-CS



CASE QTY	WEIGHT
10	35 lbs

GATE WHEELS

GW3-BK Black

- ▶ Zinc plated steel with powder-coated finish
- ▶ Composite wheel designed for rougher uneven surfaces and large temperature ranges
- ▶ Swivel design for ease of use
- ▶ Attached easily
- ▶ Nationwide's V-notch™ styling
- ▶ May be used on any flat surface
- ▶ Fit's 1-3/8", 1-5/8" and 2" size gate frames

WI-SPW-6

- ▶ Steel stamped, zinc plated housing
- ▶ Ball bearing swivel wheel
- ▶ Nylon wheel with sealed bearing
- ▶ Adjustable spring tension

CASE QTY	WEIGHT
10	50 lbs



SWING GATE HELPER WHEELS

Pressed Steel

Number	Size	Quantity
CL-6025	1-7/8"	4/Case

Number	Size	Quantity
CL-6026	1-7/8"	5/Case



SWIVEL WHEELS

Pressed Steel

Number	Size	Quantity
CL-6027	1-3/8"	4/Case
CL-6028	1-5/8"	4/Case
CL-6029	1-7/8"	4/Case



SINGLE WHEEL CARRIERS - 2PC

Pressed Steel

Number	Size	Quantity
CL-6030	1-5/8 x 6"	10/Case
CL-6031	1-5/8 x 8"	10/Case
CL-6032	1-7/8 x 6"	5/Case
CL-6033	1-7/8 x 8"	5/Case



DOUBLE WHEEL ASSEMBLY FOR SLIDE GATE

CL-DBLWA-6

- ▶ 6" Adjustable Wheel
- ▶ Heavy-duty rubber ball bearing wheels
- ▶ Fits 1-3/8", 1-5/8" or 1-7/8" gate frames

CASE QTY	WEIGHT
4	34 lbs

CL-7000

- ▶ 6" Wheel
- ▶ Fits 1-7/8" gate frames
- ▶ 4/Case

CL-7001

- ▶ 8" Wheel - 12" wide
- ▶ Fits 1-7/8" gate frames
- ▶ 4/Case



DOUBLE WHEEL ASSEMBLY FOR SLIDE GATE



WI-DUALTIRE-9

- ▶ 2" U-Bolts

CASE QTY	WEIGHT
5	40 lbs

WI-DUALTIRE-9-8

- ▶ 8" wheel - 2" U-Blots

CASE QTY	WEIGHT
5	60 lbs

DOUBLE WHEEL ASSEMBLY (PNEUMATIC TIRES)

Number	Size	Quantity
CL-7002	10" D x 3" W	2/Case



i 16" Carriage/Wheel Carriers

Number	Size	Quantity
WI-DUALTIRE-16	2" U-Bolts	2/Case
WI-DUAL-PT8	(8" Wheel) 2" U-Bolts	4/Case
WI-DUAL-PT10	(10" Wheel) 2" U-Bolts	2/Case
WI-DUALPT10-2.5	(10" Wheel) 2.5" U-Bolts	2/Case

PATENTED

ROLL GATE TRACK GUARD

CL-RGTG

- ▶ The Anti-Hole Ripper
- ▶ Avoid holes in mesh when sliding a chain link roll gate
- ▶ Small, easy to install
- ▶ Fits 1-3/8" pipe



CASE QTY	WEIGHT
20	37 lbs

UNIVERSAL SAFETY TYPE TRACK BRACKETS

Pressed Steel

- ▶ Available in Black

Number	Size	Quantity
CL-6017 (band type)	1-5/8"	20/Case
CL-6018 (wall mount)	1-5/8"	20/Case



Number	U-Bolt Size	Quantity
CL-6014	1-5/8" x 1-7/8"	20/Case
CL-6015	2-3/8" x 2-7/8"	20/Case

PIPE TRACK WHEELS ASSEMBLIES

Malleable

Number	Size	Quantity
CL-6019	5"	10/Case
CL-6020	5" x 1-5/8"	4/Case



Pressed Steel

Number	Size	Quantity
CL-6021 Pipe track roller only	5" x 1-5/8"	10/Case
CL-6023 Pipe track wheel with 2" U-bolt	5" x 1-5/8"	10/Case



Cast Steel Wheel

Number	U-Bolt Size	Quantity
WI-CW-HA	1-5/8" W/ 1-7/8"	6/Case



VINYL

METAL

WOOD

CHAIN LINK

PIPE TRACK WHEELS

Nylon Wheel

Number	U-Bolt Size	Quantity
WI-NW-HA	1-5/8"	12/Case



GATE STOP BRACKET

Pressed Steel

Number	Size	Quantity
CL-6007 (has two plates)	2-3/8"	25/Case
WI-GSB	2-3/8"	40/Case



REAR PIPE BRACKET

Pressed Steel

Number	Size	Quantity
CL-6008	1-5/8"	50/Case



ADJUSTABLE REAR ROLLER BRACKET

Pressed Steel - Clamp On

Number	Size	Quantity
CL-6010	1-5/8" - 2"	25/Case



ROUND POST TO WOOD PANEL BRACKETS

NW6287-PG 2-3/8"

- ▶ Pre-Galvanized
- ▶ No screws included
- ▶ Chain Link Post to Wood Panels

Case Qty	Weight
50	23 lbs



ROUND POST TO WOOD PANEL BRACKETS

- ▶ Adjustable Chain Link to Wood brackets
- ▶ Available in black



Number	Size	Quantity
CL-8000	1-5/8"	25/Case
CL-8001	2"	25/Case
CL-8002	2.5"	25/Case
CL-8010	3"	25/Case



Number	Size	Quantity
CL-8009	2-3/8"	50/Case



- ▶ One-piece top clamp with one-piece base
- ▶ Carriage bolts included

Number	Size	Quantity
CL-8003	1-5/8"	100/Case
CL-8004	1-7/8"	100/Case
CL-8005	2-3/8"	100/Case
CL-8008	2-7/8"	100/Case
CL-80011	2-3/8"	100/Case

ALUMINUM POST CAPS

- ▶ Available in Black



Number	CL-4010	CL-4011	CL-4012	CL-4013	CL-4014	CL-4015	CL-4016
Size	1-3/8"	1-5/8"	1-7/8"	2-3/8"	2-7/8"	3-1/2"	4"
Quantity	350/Case	350/Case	250/Case	150/Case	150/Case	100/Case	50/Case

MALLEABLE POST CAPS

▶ Available in Black



Number	CL-4025	CL-4026	CL-4027	CL-4028	CL-4029	CL-4030	CL-4032	CL-4033
Size	1-5/8"	1-7/8"	2-3/8"	2-7/8"	3-1/2"	4"	6-5/8"	8-5/8"
Quantity	100/Case	100/Case	50/Case	50/Case	25/Case	25/Case	8/Case	4/Case

PRESSED STEEL POST CAPS

▶ Available in Black



Number	CL-5001	CL-5002	CL-5003	CL-5004	CL-5006	CL-5008	CL-5009	CL-5011
Size	1-3/8"	1-5/8"	1-7/8"	2-3/8"	2-7/8"	3-1/2"	4"	6-5/8"
Quantity	250/Case	250/Case	250/Case	100/Case	100/Case	50/Case	25/Case	10/Case

NEW! BULLET CAPS

▶ Fits 1-3/8" rails



CL3913



CL3914



CL3915



CL3916

Number	CL-3913	CL-3914	CL-3915	CL-3916
Size	2-3/8"	2-3/8"	2-3/8"	1-3/8 rail adaptor
Quantity	100/Case	100/Case	100/Case	200/Case

ALUMINUM-OFFSET RAIL ENDS

▶ Available in Black



Number	CL-4017	CL-4018
Size	1-3/8"	1-5/8"
Quantity	350/Case	250/Case

MALLEABLE HALF MOON RAIL ENDS

▶ Available in Black



Number	CL-4050
Size	1-5/8"
Quantity	100/Case

PRESSED STEEL PLAIN OFFSET RAIL ENDS

▶ Available in Black



Number	CL-5012	CL-5013	CL-5014	CL-5015
Size	1-3/8"	1-5/8"	1-7/8"	2-3/8"
Quantity	100/Case	100/Case	50/Case	50/Case

PRESSED STEEL 2 HOLES RAIL ENDS

▶ Available in Black



Number	CL-5016	CL-5017
Size	1-5/8"	1-7/8"
Quantity	50/Case	50/Case

MALLEABLE OFFSET RAIL ENDS

▶ Available in Black



Number	CL-5038	CL-5039	CL-5040
Size	1-3/8"	1-5/8"	1-7/8"
Quantity	100/Case	100/Case	50/Case

PRESSED STEEL HALF MOON RAIL ENDS

▶ Available in Black



Number	Size	Quantity
CL-5041	1-5/8"	100/Case

PRESSED STEEL 3-HOLE RAIL ENDS

▶ Available in Black



Number	Size	Quantity
CL-5341	1-5/8"	100/Case
CL-5342	1-7/8"	50/Case
CL-5343	2-3/8"	50/Case

RAIL END COMBO

▶ Available in Black



Number	Size	Quantity
WI-REC-1-5/8	1-5/8"	100/Case

ALUMINUM BALL TOP LOOP CAPS

▶ Available in Black



Number	Size	Quantity
CL-4002	1-5/8" x 1-3/8"	200/Case
CL-4003	1-7/8" x 1-3/8"	200/Case
CL-4004	1-7/8" x 1-5/8"	100/Case
CL-4005	2-3/8" x 1-5/8"	100/Case

ALUMINUM LOOP CAPS

▶ Available in Black



Number	Size	Quantity
CL-4006	1-5/8" x 1-3/8"	200/Case
CL-4007	1-7/8" x 1-3/8"	200/Case
CL-4008	1-7/8" x 1-5/8"	100/Case
CL-4009	2-3/8" x 1-5/8"	100/Case

PRESSED STEEL LOOP CAPS

▶ Available in Black



Number	Size	Quantity
CL-5018	1-5/8" x 1-3/8"	50/Case
CL-5019	1-5/8" x 1-5/8"	50/Case
CL-5020	1-7/8" x 1-3/8"	50/Case
CL-5021	1-7/8" x 1-5/8"	50/Case
CL-5022	2-3/8" x 1-5/8"	50/Case
CL-5023	2-7/8" x 1-5/8"	50/Case
CL-5024	4" x 1-5/8"	50/Case
CL-5025 (heavy)	1-5/8" x 1-3/8"	50/Case
CL-5026 (heavy)	1-5/8" x 1-5/8"	50/Case
CL-5027 (heavy)	1-7/8" x 1-3/8"	50/Case
CL-5028 (heavy)	1-7/8" x 1-5/8"	50/Case
CL-5029 (heavy)	2-3/8" x 1-5/8"	50/Case
CL-5030 (heavy)	2-7/8" x 1-5/8"	50/Case

ALUMINUM CORNER CLAMPS

▶ Available in Black



Number	Size	Quantity
CL-4000 (closed)	1-3/8"	100/Case
CL-4001 (split)	1-3/8"	100/Case

PRESSED STEEL RESIDENTIAL GATE CORNER CLAMPS WITHOUT RIVET

▶ Available in Black



Number	Size	Quantity
CL-5242 (top)	1-3/8"	50/Case
CL-5243 (bottom)	1-3/8"	50/Case

PRESSED STEEL HEAVY GATE CORNER CLAMPS WITHOUT RIVET

▶ Available in Black



Number	Size	Quantity
CL-5246 (top)	1-5/8"	20/Case
CL-5247 (bottom)	1-5/8"	20/Case

PRESSED STEEL PANEL CLAMPS

▶ Available in Black



Number	Size	Quantity
CL-5255	1-3/8"	100/Case
CL-5256	1-5/8"	100/Case
CL-5257	1-7/8"	50/Case

PRESSED STEEL SADDLE CLAMPS 4MM

▶ Available in Black



Number	Size	Quantity
CL-5258	1-3/8" x 1-3/8"	100/Case
CL-5259	1-5/8" x 1-5/8"	100/Case
CL-5260	1-7/8" x 1-7/8"	100/Case

PRESSED STEEL BOULEVARD CLAMPS- 2PCS PER SET

▶ Available in Black



Number	Size	Quantity
CL-5070	1-3/8" x 1-3/8"	100/Case
CL-5071	1-5/8" x 1-3/8"	100/Case
CL-5072	1-5/8" x 1-5/8"	100/Case
CL-5073	1-7/8" x 1-3/8"	100/Case
CL-5074	1-7/8" x 1-5/8"	100/Case
CL-5075	2-3/8" x 1-3/8"	100/Case
CL-5076	2-3/8" x 1-5/8"	50/Case
CL-5077	2-3/8" x 1-7/8"	50/Case
CL-5078	2-7/8" x 1-5/8"	50/Case
CL-5080	3-1/2" x 1-5/8"	50/Case
CL-5081	4" x 1-5/8"	50/Case

PRESSED STEEL END CLAMPS 2PCS PER SET

▶ Available in Black



Number	Size	Quantity
CL-5082	1-3/8" x 1-3/8"	100/Case
CL-5083	1-5/8" x 1-3/8"	100/Case
CL-5084	1-5/8" x 1-5/8"	100/Case
CL-5085	1-7/8" x 1-3/8"	100/Case
CL-5086	1-7/8" x 1-5/8"	100/Case
CL-5087	1-7/8" x 1-7/8"	100/Case
CL-5088	2-3/8" x 1-5/8"	100/Case
CL-5089	2-3/8" x 1-7/8"	50/Case
CL-5090	2-7/8" x 1-5/8"	50/Case
CL-5091	2-7/8" x 1-7/8"	50/Case
CL-5092	4" x 1-5/8"	50/Case
CL-5093	4" x 1-7/8"	50/Case

PRESSED STEEL SLEEVES

▶ Available in Black

Number	Size	Quantity
CL-5134	1-3/8" x 6"	100/Case
CL-5136	1-5/8" x 6"	50/Case
CL-5138	1-5/8" x 7"	50/Case



PRESSED STEEL TENSION BANDS 14GA

▶ Available in Black

Number	Size	Quantity
CL-5114	1-3/8"	250/Case
CL-5115	1-5/8"	250/Case
CL-5116	1-7/8"	250/Case
CL-5117	2-3/8"	250/Case
CL-5118	2-7/8"	100/Case
CL-5120	3-1/2"	100/Case
CL-5121	4"	100/Case
CL-5123	6-5/8"	50/Case



VINYL

METAL

WOOD

CHAIN LINK

PRESSED STEEL TENSION BANDS (HEAVY 3MM) 11GA

▶ Available in Black



Number	CL-5124	CL-5125	CL-5126	CL-5127	CL-5128	CL-5130	CL-5131	CL-5133
Size	1-3/8"	1-5/8"	1-7/8"	2-3/8"	2-7/8"	3-1/2"	4"	6-5/8"
Quantity	250/Case	100/Case	100/Case	100/Case	100/Case	100/Case	100/Case	50/Case

PRESSED STEEL BEVELED TENSION BANDS

▶ Available in Black



Number	CL-5114BV	CL-5115BV	CL-5116BV	CL-5117BV	CL-5118BV	CL-5121BV	CL-5123BV
Size	1-3/8"	1-5/8"	1-7/8"	2-3/8"	2-7/8"	4"	6-5/8"
Quantity	250/Case	250/Case	250/Case	250/Case	100/Case	100/Case	50/Case

PRESSED STEEL SQUARE TENSION BANDS

▶ Available in Black



Number	CL-5115-SQ	CL-5116-SQ	CL-5117-SQ	CL-5118-SQ	CL-5121-SQ
Size	1-1/2" x 1-1/2"	2" x 2"	2-1/2" x 2-1/2"	3" x 3"	4" x 4"
Quantity	100/Case	100/Case	50/Case	50/Case	50/Case

ALUMINUM SQUARE TENSION BAND

▶ Available in Black



Number	WI-SPB-2
Size	2"
Quantity	300/Case

ALUMINUM SQUARE BRACE BAND



Number	WI-SBB-2
Size	2"
Quantity	300/Case

PRESSED STEEL BRACE BANDS 12GA

▶ Available in Black



Number	CL-5094	CL-5095	CL-5096	CL-5097	CL-5098	CL-5100	CL-5101	CL-5103
Size	1-3/8"	1-5/8"	1-7/8"	2-3/8"	2-7/8"	3-1/2"	4"	6-5/8"
Quantity	250/Case	250/Case	250/Case	250/Case	100/Case	100/Case	100/Case	50/Case

PRESSED STEEL BRACE BANDS (HEAVY 3MM) 11GA

▶ Available in Black



Number	CL-5104	CL-5105	CL-5106	CL-5107	CL-5108	CL-5110	CL-5111	CL-5113
Size	1-3/8"	1-5/8"	1-7/8"	2-3/8"	2-7/8"	3-1/2"	4"	6-5/8"
Quantity	250/Case	250/Case	250/Case	250/Case	100/Case	100/Case	100/Case	50/Case

PRESSED STEEL BEVELED BRACE BANDS

▶ Available in Black



Number	CL-5095BV	CL-5096BV	CL-5097BV	CL-5098BV	CL-5101BV	CL-5103BV
Size	1-5/8"	1-7/8"	2-3/8"	2-7/8"	4"	6-5/8"
Quantity	250/Case	250/Case	250/Case	100/Case	100/Case	50/Case

PRESSED STEEL SQUARE BRACE BANDS

▶ Available in Black



Number	CL-5095-SQ	CL-5096-SQ	CL-5097-SQ	CL-5098-SQ	CL-5101-SQ
Size	1-1/2" x 1-1/2"	2" x 2"	2-1/2" x 2-1/2"	3" x 3"	4" x 4"
Quantity	100/Case	100/Case	50/Case	50/Case	50/Case

PRESSED STEEL "V" CORNER ARMS



Number	CL-5048	CL-5050
Size	2-7/8"	4"
Quantity	5/Case	5/Case

MALLEABLE "V" BARB ARMS



Number	CL-5056
Size	2-7/8"
Quantity	5/Case

PRESSED STEEL SINGLE CORNER ARMS

▶ Available in Black

Number	CL-5042	CL-5043	CL-5044	CL-5045
Size	2-3/8"	2-7/8"	3-1/2"	4"
Quantity	10/Case	10/Case	10/Case	5/Case



PRESSED STEEL VERTICAL BARB ARMS

Number	CL-5059	CL-5060	CL-5061
Size	1-5/8" x 1-5/8"	1-7/8" x 1-5/8"	2-3/8" x 1-5/8"
Quantity	25/Case	25/Case	25/Case



MALLEABLE SINGLE CORNER ARMS

Number	CL-5051	CL-5052	CL-5053	CL-5054
Size	2-3/8"	2-7/8"	3-1/2"	4"
Quantity	5/Case	5/Case	5/Case	5/Case



PRESSED STEEL 45 DEGREE BARB ARMS

▶ Available in Black



Number	Size	Quantity
CL-5062	1-5/8" x 1-5/8"	25/Case
CL-5063	1-7/8" x 1-5/8"	25/Case
CL-5064	2-3/8" x 1-5/8"	25/Case

PRESSED STEEL "V" BARB ARMS

▶ Available in Black



Number	Size	Quantity
CL-5065	1-5/8" x 1-5/8"	5/Case
CL-5066	1-7/8" x 1-5/8"	5/Case
CL-5067	2-3/8" x 1-5/8"	5/Case

CARRIAGE BOLTS

Galvanized (Nut included with bolts)

▶ Available in Black



Number	Size	Quantity
CL-7017	5/16" x 6"	250/Case
CL-7018	5/16" x 1-1/4"	1000/Case
CL-7019	5/16" x 2"	1000/Case
CL-7020	5/16" x 2-1/2"	1000/Case
CL-7021	3/8" x 2"	500/Case
CL-7022	3/8" x 3"	500/Case
CL-7023	3/8" x 2-1/2"	500/Case
CL-7024	3/8" x 3-1/2"	500/Case
CL-7029	3/8" x 1-1/2"	500/Case



Number	Size	Quantity
WI-BOLT-1-1/4	5/16" x 1-1/4"	100/Bag

FLOOR BASE PLATES

Pressed Steel - Galvanized



Number	Size	Quantity
NW6174-4	4"	50/Case
NW6174-6	6"	10/Case
NW6174-8	8"	10/Case

FLOOR FLANGES

Malleable



Number	Size	Quantity
CL-7110	1-7/8"	10/Case
CL-7111	2-3/8"	5/Case
CL-7112	2-7/8"	12/Case
CL-7113	4"	4/Case

J-BOLTS

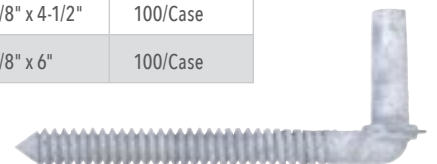
▶ 2 Nuts Attached



Number	Size	Quantity
CL-7010	1/2" x 4-1/2"	100/Case
CL-7011	1/2" x 6"	100/Case
CL-7012 (Available in Black)	5/8" x 4-1/2"	50/Case
CL-7013	5/8" x 6"	50/Case
CL-7014	5/8" x 8"	50/Case
CL-7015	5/8" x 10"	50/Case
CL-7016	5/8" x 12"	50/Case

LAG SCREWS

Number	Size	Quantity
CL-7025	1/2" x 4-1/2"	100/Case
CL-7027	5/8" x 4-1/2"	100/Case
CL-7028	5/8" x 6"	100/Case



C-TYPE GATE CLIPS 1-3/8"

Pressed Steel

▶ Available in Black



Number	Size	Quantity
CL-5234	C,3.319"	250/Case
CL-5235	C,3.070"	250/Case
CL-5236	C,3.800"	250/Case
CL-5237	(1-3/8" L)	250/Case

DIE CAST PLUG

WI-DCP

- ▶ 2-1/2" diameter Die cast Plug
- ▶ Aluminum A360 Alloy

Case Qty	Weight
200	30 lbs



HINGE PLUG

Cast

Number	Size	Quantity
CL-4060	1-5/8"	10/Case
CL-4061	1-7/8"	10/Case



HOG RINGS

Aluminum - 9GA

▶ Sold in 5lb bags/6 bags per Master Case

Number	Color	Weight
CL-7050	Mill	30lbs/Case
CL-7052	Black	30lbs/Case



GATE HOLDBACK

Malleable

Number	Size	Quantity
CL-5241	1-5/8"-1-7/8"	20/Case



HOOK TIES

Aluminum



Number	Color	Size	Quantity
CL-7060	Mill	6-1/2" x 9ga	1000/Case
CL-7061	Mill	8-1/4" x 9ga	1000/Case
CL-7062	Black	6-1/2" x 9ga	1000/Case
CL-7063	Black	8-1/4" x 9ga	1000/Case
CL-7064	Mill	6-1/2" x 11ga	1000/Case
CL-7065	Black	6-1/2" x 11ga	1000/Case

POST ANCHORS

Pressed Steel - HDG

Number	Size	Quantity
CL-PA158	1-5/8"	25/Case
CL-PA178	1-7/8"	25/Case
CL-PA238	2-3/8"	25/Case



TRUSS ROD TIGHTENER

Number	Quantity
CL-7047 (Available in Black)	100/Case



TRUSS RODS

HDG

Number	Size	Quantity
CL-TR132	3/8" x 132"	250/Bundle



VINYL

METAL

WOOD

CHAIN LINK

GATE SCROLLS

Pressed Steel



Number	Size	Quantity
CL-5239 (Available in Black)	18"	10/Case
CL-5240	24"	10/Case

WIRE WINDERS

Pressed Steel



Number	Size	Quantity
CL-5069	4"	50/Case



Number	Quantity
WI-BRT	48/Case

TENSION BARS

Pressed Steel

- ▶ Available in Black
- *Only sold in bundles



Number	Size	Quantity
CL-7500*	3/16" x 5/8"x46"	500/Bundle
CL-7501*	3/16" x 5/8"x58"	500/Bundle
CL-7502*	3/16" x 5/8"x70"	500/Bundle
CL-7503 (not available in black)	3/16" x 5/8"x82"	250/Bundle
CL-7510	3/16" x 3/4"x58"	250/Bundle
CL-7511	3/16" x 3/4"x70"	250/Bundle
CL-7512	3/16" x 3/4"x82"	250/Bundle

GATE CLIP TOOL



Number	Quantity
WI-GCT	1/Case

WIRE GRIP TOOL



Number	Quantity
WI-WGT	1/Box

POST HOLE DIGGERS & TOOLS

- ▶ Wood Handle

CASE QTY
1

WI-006



- ▶ Torque Bar

CASE QTY
1

WI-CB06



PANIC BAR KITS

PS51S
PS51B

- Includes: 1 NW-PB1100-SC Panic Bar, 1 Adjustable Shield, 1 Striker Bracket Extender, 1 Keyed Cylinder and 1 Cylinder Block Mount

CASE QTY	WEIGHT
1	37 lbs



PS61S
PS61B

- Includes: 1 NW-PB1100-SC Panic Bar, 1 Adjustable Shield, 1 Striker Bracket Extender, 1 NW-285-P-SC One-Sided Keyless Lock, 1 Gate Box, and 1 Cover Plate

CASE QTY	WEIGHT
1	39 lbs

See page 183 for more panic bar kit options.

ROLL GATE KIT



WI-ROLLGATE 1/Case

Quantity	Number	Size
1	1 WI-DUAL-PT8	Dual Tire Runner
2	CL-6023	5" x 1-5/8" Pipe Track Roller
6	CL-6015	2-3/8" & 2-7/8" PS Safety Track Bracket
1	CL-6013	PS Rolling Gate Latch

GATE KIT SINGLE



CL-GATEKITSGL 5/Case

Quantity	Number	Size
1 Set	CL-7080	1-3/8" PS Collar
2	CL-5141	1-3/8" x 5/8" PS Gate Hinge
2	CL-5156	2-3/8" x 5/8" PS Post Hinge
1	CL-7092	2-1/2" PS Fork
2	CL-7018	5/16" x 1-1/4" Carriage bolt
2	CL-7021	3/8" x 2" Carriage bolt
2	CL-7022	3/8" x 3" Carriage Bolt

GATE KIT DOUBLE

- Available in Black

CL-GATEKITDBL 5/Case

Quantity	Number	Size
1 Set	CL-7080	1-3/8" PS Collar
4	CL-5141	1-3/8" x 5/8" PS Gate Hinge
2	CL-5144	1-3/8" x 1/2" PS Gate Hinge
4	CL-5156	2-3/8" x 5/8" PS Post Hinge
1	CL-7090	1-3/8" PS Fork
2	CL-7018	5/16" x 1-1/4" Carriage Bolt
2	CL-7019	5/16" x 2" Carriage Bolt
4	CL-7021	3/8" x 2" Carriage Bolt
4	CL-7022	3/8" x 3" Carriage Bolt

VINYL

METAL

WOOD

CHAIN LINK

LOCKEY
USA

GATE AND DOOR SECURITY HARDWARE

Mechanical Locks | Gate and Panic Hardware | Electronic Locks

Photo courtesy of Metal Head Inc.



SCAN HERE





LockeyUSA™ offers a vast selection of door and gate security hardware including keyless locks, hydraulic gate closers and panic hardware. LockeyUSA products provide security and convenience for an extensive range of commercial and residential applications. Motivated by a desire to meet customer needs and exceed expectations, LockeyUSA is inspired to create innovative access control products of the highest standard and greatest value.

lockeyusa.com | info@lockeyusa.com

888.395.0163 | 3505 Cragmont Dr. Tampa, FL 33619

Photo courtesy of SoCal Gates and Safety Rails



QUICK GUIDE



AB Antique Brass US-5	BB Bright Brass US-3	BC Bright Chrome US-26	JBMG Jet Black	OIL Oil Rubbed Bronze US-10B	SB Satin Brass	SCMG Satin Chrome US-26D	SN Satin Nickel US-15	WH White
---------------------------------------	--------------------------------------	--	-----------------------------	--	-----------------------------	--	---------------------------------------	--------------------

DC - DOUBLE COMBINATION

Most LockeyUSA Mechanical Keyless Locks are available in Double Combination (DC). DC locks have a combination body on both the interior and exterior and require a code to unlock from both the interior and exterior.

KO - KEY OVERRIDE

Many of our products are available in Key Override (KO). Please note the warranty on Key Override locks differs from our standard mechanical lock warranty. For warranty statements, visit LockeyUSA.com/warranty

MG - MARINE GRADE

We offer two marine grade finishes, Jet Black Marine Grade (JBMG) and Satin Chrome Marine Grade (SCMG), which are designed to extend the life of the finish when exposed to corrosive elements of coastal/saltwater environments.

HOW TO ORDER A PANIC SHIELD KIT



STYLE

PS: Standard
ED: Edge

KIT*

4: Value
5: Safety
6: Security

BAR**

0: No Bar
1: PB1100
2: Detex V-40
3: Detex V40xEBxW

SHIELD COLOR

S: Silver
B: Black

OPTIONAL PANIC BAR UPGRADE (SELECT ONE ONLY)

PB1100

L: 42" Bar
M: Stainless Steel
F: Fire Rated
LM: 42" Stainless Bar

DETEX V-40

L: 42" Bar
M: Stainless Steel
F: Fire Rated
LM: 42" Stainless Bar

*WHATS INCLUDED? (4) Value Kits: Shield, Bar, Strike Bracket. (5) Safety Kits: Shield, Bar, Strike Bracket, Key Box, Keyed Cylinder. (6) Security Kits: Shield, Bar, Strike Bracket, Gate Box, 285-P, Max Guard. ALL EDGE STYLE KITS INCLUDE LATCH PROTECTOR AND JAMB STOP.

**For standard 36" doors/gates.

DETEX V-40xEBxW

L: 42" Bar
7: Black V-40xEB
L7: 42" Black V-40xEB

INSTRUCTIONS LockeyUSA highly recommends reviewing product instruction documents prior to purchase and installation. Visit the specific product page of our website for complete product details including instruction documents or view all instructions and available videos at lockeyusa.com/resources

TROUBLESHOOTING If you're still having trouble after reviewing instruction documents, contact our technical support team. Our team can be reached at 888.395.0163, info@lockeyusa.com or by filling out the contact form at lockeyusa.com/contact-us

REPLACEMENT PARTS To obtain replacement parts for a LockeyUSA product, visit lockeyparts.com or contact the company you originally purchased from.

WHERE TO BUY

Find a Distributor: LockeyUSA.com/find-a-distributor

Find an Online Retailer: LockeyUSA.com/online-retailers



GBS2000

MECHANICALLY ATTACHED GATE BOX

The GBS2000 makes it easier than ever to install or retrofit a LockeyUSA mechanical keyless lock onto a gate. Reduce time spent in the field and eliminate the need for welding with the GBS2000 Mechanically Attached Gate Box.

FEATURES & BENEFITS:

- Mechanically attached gate box - installs without welding
- Fits 2" square gate frames
- Reversible for right and left hand gates
- Compatible with LockeyUSA 2830 and 2835 Mechanical Keyless Locks

DIMENSIONS & SPECIFICATIONS:

- Dimensions: 9.5" L x 3.75" W x 2.29" D
- Gate Frame Size: 2" square
- Material: Cast Aluminum
- Finish: Powder coat
- Color: Black
- For Exterior & Interior Use
- Weather Resistant
- Patent Pending



SCAN FOR INSTALLATION VIDEO

LOCKEY
USA

lockeyusa.com

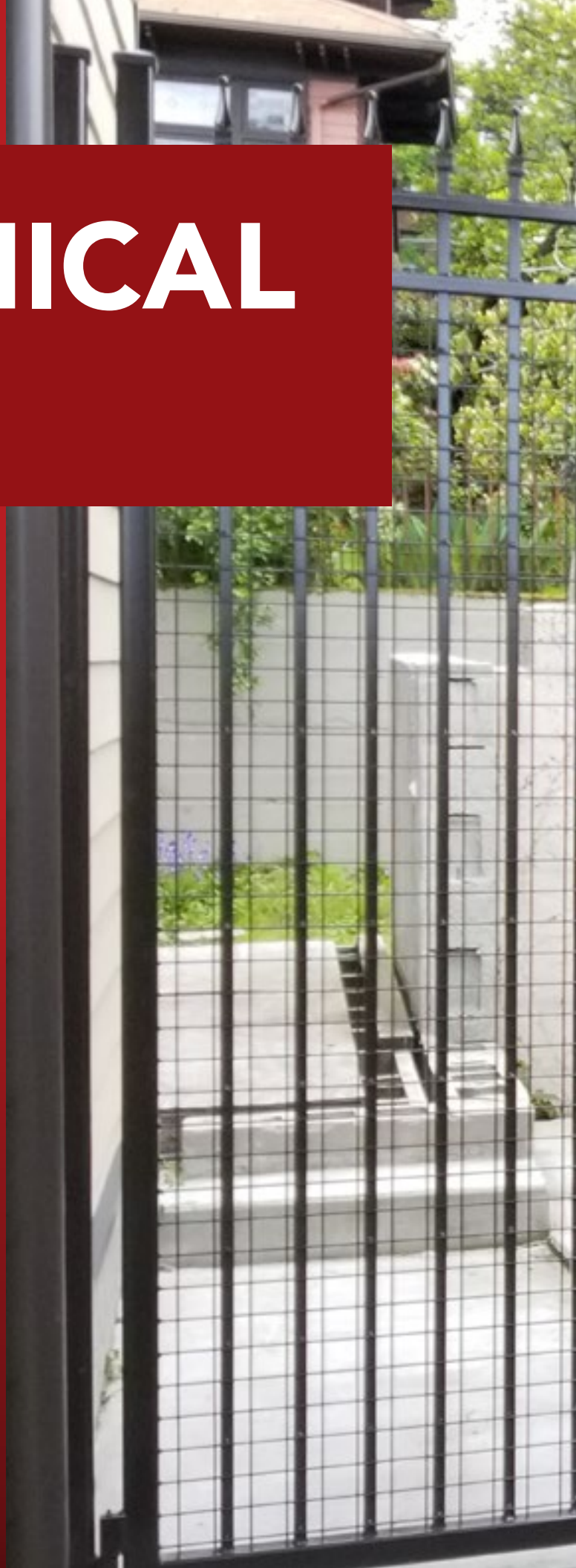
MECHANICAL LOCKS

TABLE OF CONTENTS

C Series	148
M Series	150
1000 Series	153
2000 Series	155
2900 Narrow Stile Series	160
3000 Series	164
SUMO® GL2	167
Specialty Locks	168
Accessories	169

LOCKEY
USA

Photo courtesy of Automated Equipment





C120 MECHANICAL KEYLESS SURFACE MOUNT LOCK

- Mechanical, keyless, surface mount deadbolt
- Reversible long/short bar
- One User Code (changeable)
- Low profile
- Ideal for cabinets



SHOWN IN SATIN CHROME MARINE GRADE

Part Number	Description
C120-(finish)	Mechanical Keyless Surface Mount Lock

Available Finishes : Antique Brass (AB), Bright Brass (BB), Jet Black Marine Grade (JBMG), Oil Rubbed Bronze (OIL), Satin Chrome Marine Grade (SCMG), Satin Nickel (SN), White (WH)

Dimensions & Specs : OUTSIDE BODY DIMENSIONS: 5" L X 1-1/4" W X 1-7/8" D, INSIDE BODY DIMENSIONS: 5" L X 1-1/4" W X 1-3/8" D, DEADBOLT THROW: 3/4", DOOR THICKNESS: 1-3/16" TO 2", FITS DOORS FROM 1/8" THICK AND UP WITH THIN DOOR KIT (SOLD SEPARATELY), FITS DOORS UP TO 5" THICK WITH EXTENSION KIT (SOLD SEPARATELY), MATERIAL: ZINC-PLATED STEEL WITH TEFLON COATED STAINLESS STEEL INTERIOR COMPONENTS, FOR EXTERIOR & INTERIOR USE.

Compatible with : C25 Pull Handle

C150 MECHANICAL KEYLESS HOOK BOLT LOCK

- Mechanical, keyless, hook bolt
- Surface mount lock
- One User Code (changeable)
- Low profile
- Ideal for sliding glass patio doors



SHOWN IN SATIN CHROME MARINE GRADE

Part Number	Description
C150-(finish)	Mechanical Keyless Hook Bolt Lock

Available Finishes : Antique Brass (AB), Bright Brass (BB), Jet Black Marine Grade (JBMG), Oil Rubbed Bronze (OIL), Satin Chrome Marine Grade (SCMG), Satin Nickel (SN), White (WH)

Dimensions & Specs : OUTSIDE BODY DIMENSIONS: 5" L X 1-1/4" W X 1-7/8" D, INSIDE BODY DIMENSIONS: 5" L X 1-1/4" W X 1-5/8" D, THROW: 3/8", DOOR THICKNESS: 1-3/16" TO 2", FITS DOORS FROM 1/8" THICK AND UP WITH THIN DOOR KIT (SOLD SEPARATELY), FITS DOORS UP TO 5" THICK WITH EXTENSION KIT (SOLD SEPARATELY), MATERIAL: ZINC-PLATED STEEL WITH TEFLON COATED STAINLESS STEEL INTERIOR COMPONENTS, FOR EXTERIOR & INTERIOR USE.

Compatible with : C25 Pull Handle

C170 MECHANICAL KEYLESS CAM CABINET LOCK

- Mechanical, keyless, push button lock
- Surface mount cam lock
- One User Code (changeable)
- Low profile
- Ideal for cabinet doors



Part Number	Description
C170-(finish)	Mechanical Keyless Cam Cabinet Lock

SHOWN IN SATIN CHROME MARINE GRADE



Available Finishes : Antique Brass (AB), Bright Brass (BB), Jet Black Marine Grade (JBMG), Oil Rubbed Bronze (OIL), Satin Chrome Marine Grade (SCMG), Satin Nickel (SN), White (WH)

Dimensions & Specs : OUTSIDE BODY DIMENSIONS: 5" L X 1-1/4" W X 1-7/8" D, INSIDE BODY DIMENSIONS: 5" L X 1-1/4" W X 1-1/4" D, THROW: 3/8", DOOR THICKNESS: 1-3/16" TO 2", FITS DOORS FROM 1/8" THICK AND UP WITH THIN DOOR KIT (SOLD SEPARATELY), FITS DOORS UP TO 5" THICK WITH EXTENSION KIT (SOLD SEPARATELY), MATERIAL: ZINC-PLATED STEEL WITH TEFLON COATED STAINLESS STEEL INTERIOR COMPONENTS, FOR EXTERIOR & INTERIOR USE.

Compatible with : C25 Pull Handle

C25 PULL HANDLE

- Pull handle for C Series Locks



Part Number	Description
C25-(finish)	Pull handle for C Series Locks

Available Finishes : Antique Brass (AB), Bright Brass (BB), Jet Black Marine Grade (JBMG), Oil Rubbed Bronze (OB), Satin Chrome Marine Grade (SCMG), Satin Nickel (SN), White (WH)

Dimensions & Specs : 8-1/2" L X 1-1/4" W X 1-5/8" D

Compatible with : C120, C150, C170



M210 MECHANICAL KEYLESS DEADBOLT

- Mechanical, keyless, deadbolt lock
- Thumb turn on exterior and interior
- One User Code (changeable)
- Reversible handing
- Adjustable backset deadbolt
- EZ plates (metal trim plates) included- installs in minutes with no drilling on doors with an existing 2 1/8" deadbolt hole



SHOWN IN WHITE



SINGLE COMBINATION

Part Number	Description
M210-(finish)	Mechanical Keyless Deadbolt, single combination



DOUBLE COMBINATION

Part Number	Description
M210-(finish)-DC	Mechanical Keyless Deadbolt, double combination

Available Finishes : Antique Brass (AB), Bright Brass (BB), Bright Chrome (BC), Jet Black Marine Grade (JBMG), Oil Rubbed Bronze (OIL), Satin Brass (SB)*, Satin Chrome Marine Grade (SCMG), Satin Nickel (SN), White (WH) *Satin Brass only available in Single Combination

Dimensions & Specs : 5" L X 1 1/2" W X 1 7/8" D, TOTAL COVERAGE WITH TRIM PLATES: 5 5/8" L X 2 1/2" W, DOOR THICKNESS: 1 1/8" TO 2", FITS DOORS UP TO 5" WITH EXTENSION KIT (SOLD SEPARATELY), MATERIAL: ZINC-PLATED STEEL WITH TEFLON COATED STAINLESS STEEL INTERIOR COMPONENTS, FOR EXTERIOR & INTERIOR USE.

Compatible with : GB210, GB200M, GB-ADD-A-BOLT



M220
MECHANICAL
KEYLESS SURFACE MOUNT
DEADBOLT

M220 MECHANICAL KEYLESS SURFACE MOUNT DEADBOLT

- Surface mount deadbolt/slide bolt
- Reversible long/short bar
- One User Code (changeable)
- Works on most hinged configurations
- Ideal for narrow stile doors and light-duty applications



WEATHER
RESISTANT



SHOWN IN SATIN CHROME MARINE GRADE

Part Number	Description
M220-(finish)	Mechanical Keyless Surface Mount Deadbolt

Available Finishes : Antique Brass (AB), Bright Brass (BB), Jet Black Marine Grade (JBMG), Satin Chrome Marine Grade (SCMG), Satin Nickel (SN), White (WH)

Dimensions & Specs : 5" L X 1 1/2" W X 1 7/8" D, DEADBOLT THROW: 3/4", DOOR THICKNESS: 1 1/8" TO 2", FITS DOORS UP TO 5" WITH EXTENSION KIT (SOLD SEPARATELY), MATERIAL: ZINC-PLATED STEEL WITH TEFLON COATED STAINLESS STEEL INTERIOR COMPONENTS, FOR EXTERIOR & INTERIOR USE.

M230 MECHANICAL KEYLESS DEADLOCKING SPRING LATCH

- Mechanical, keyless deadlocking spring latch lock
- Auto-locking
- One User Code (changeable)
- Knob on interior and exterior
- Covers 2-1/8" prep hole



SHOWN IN SATIN CHROME MARINE GRADE



SINGLE COMBINATION

Part Number	Description
M230-(finish)	Mechanical Keyless Deadlocking Spring Latch, single combination



DOUBLE COMBINATION

Part Number	Description
M230-(finish)-DC	Mechanical Keyless Deadlocking Spring Latch, double combination

Available Finishes : Antique Brass (AB), Bright Brass (BB), Jet Black Marine Grade (JBMG), Oil Rubbed Bronze (OIL), Satin Chrome Marine Grade (SCMG), Satin Nickel (SN), White (WH)

Dimensions & Specs : OUTSIDE BODY DIMENSIONS: 5" L X 1-1/4" W X 1-7/8" D, INSIDE BODY DIMENSIONS: 5" L X 1-1/4" W X 1-1/4" D, THROW: 3/8", DOOR THICKNESS: 1-3/16" TO 2", FITS DOORS FROM 1/8" THICK AND UP WITH THIN DOOR KIT (SOLD SEPARATELY), FITS DOORS UP TO 5" THICK WITH EXTENSION KIT (SOLD SEPARATELY), MATERIAL: ZINC-PLATED STEEL WITH TEFLON COATED STAINLESS STEEL INTERIOR COMPONENTS, FOR EXTERIOR & INTERIOR USE.

Compatible with : GB200M

1150 MECHANICAL KEYLESS HEAVY DUTY LEVER LOCK

- Mechanical, keyless, heavy duty lever lock
- Auto-locking with passage function
- One User Code (changeable)
- Adjustable backset deadlocking spring latch



SHOWN IN SATIN CHROME MARINE GRADE



SINGLE COMBINATION

Part Number	Description
1150-(finish)	Mechanical Keyless Heavy Duty Lever Lock, single combination



DOUBLE COMBINATION

Part Number	Description
1150-(finish)-DC	Mechanical Keyless Heavy Duty Lever Lock, double combination

Available Finishes : Jet Black Marine Grade (JBMG), Oil Rubbed Bronze (OIL), Satin Chrome Marine Grade (SCMG)

Dimensions & Specs : 7 5/16" L X 2 3/16" W X 2 5/16" D, TOTAL COVERAGE WITH TRIM PLATES: 7 1/2" L X 2 1/2" W X 2 1/2" D, LEVER SIZE: 5/8" L X 5" W, DOOR THICKNESS: 1 1/8" TO 2", FITS DOORS UP TO 5" WITH EXTENSION KIT (SOLD SEPARATELY), MATERIAL: ZINC-PLATED STEEL WITH TEFLON COATED STAINLESS STEEL INTERIOR COMPONENTS, FOR EXTERIOR & INTERIOR USE.

Compatible with : GB1150 Gate Box, 1600 Knob

1600 MECHANICAL KEYLESS HEAVY DUTY KNOB LOCK

- Mechanical, keyless, heavy duty knob lock
- Auto-locking with passage function
- One User Code (changeable)
- Adjustable backset deadlocking spring latch



SHOWN IN JET BLACK
MARINE GRADE



SINGLE COMBINATION

Part Number	Description
1600-(finish)	Mechanical Keyless Heavy Duty Knob Lock, single combination



DOUBLE COMBINATION

Part Number	Description
1600-(finish)-DC	Mechanical Keyless Heavy Duty Knob Lock, double combination

Available Finishes : Jet Black Marine Grade (JBMG), Oil Rubbed Bronze (OIL), Satin Chrome Marine Grade (SCMG)

Dimensions & Specs : 7-5/16" L X 2-3/16" W X 2-11/16" D, TOTAL COVERAGE WITH TRIM PLATES: 7-1/2" L X 2-1/2" W X 2-7/2" D, KNOB SIZE: 2" DIAMETER, DOOR THICKNESS: 1-1/8" TO 2", FITS DOORS UP TO 5" WITH EXTENSION KIT (SOLD SEPARATELY), MATERIAL: ZINC-PLATED STEEL WITH TEFLON COATED STAINLESS STEEL INTERIOR COMPONENTS, FOR EXTERIOR & INTERIOR USE.

Compatible with : GB1150 Gate Box, 1150 Lever

2200 MECHANICAL KEYLESS SURFACE MOUNT DEADBOLT

- Surface mount deadbolt/slide bolt
- Narrow stile
- One User Code (changeable)
- Long and short bar included
- Works on most hinged configurations



SHOWN IN SATIN NICKEL

Part Number	Description
2200-(finish)	Mechanical Keyless Surface Mount Deadbolt

Available Finishes : Antique Brass (AB), Bright Brass (BB), Jet Black Marine Grade (JBMG), Satin Chrome Marine Grade (SCMG), Satin Nickel (SN), White (WH)

Dimensions & Specs : 5-5/8" L X 1-5/8" W X 1-5/8" D, TOTAL COVERAGE WITH TRIM PLATES: 6" L X 2" W, DEADBOLT THROW: 3/4", SHORT BAR LENGTH: 7/8", LONG BAR LENGTH: 2-1/4", DOOR THICKNESS: 1-1/8" TO 2", FITS DOORS UP TO 5" WITH EXTENSION KIT (SOLD SEPARATELY), MATERIAL: ZINC-PLATED STEEL WITH TEFLON COATED STAINLESS STEEL INTERIOR COMPONENTS, FOR EXTERIOR & INTERIOR USE.

Compatible with : Key Override System (KOS)

2200KO MECHANICAL SURFACE MOUNT DEADBOLT WITH KEY OVERRIDE

- Surface mount deadbolt/slide bolt with key override
- Narrow stile
- One User Code (changeable)
- Long and short bar included
- Works on most hinged configurations
- Available keyed alike or keyed different



SHOWN IN SATIN CHROME MARINE GRADE

Part Number	Description
2200-(finish)-KO	Mechanical Surface Mount Deadbolt with Key Override

Available Finishes : Antique Brass (AB), Bright Brass (BB), Jet Black Marine Grade (JBMG), Satin Chrome Marine Grade (SCMG), Satin Nickel (SN), White (WH)

Dimensions & Specs : 5-5/8" L X 1-5/8" W X 1-5/8" D, TOTAL COVERAGE WITH TRIM PLATES: 6" L X 2" W, DEADBOLT THROW: 3/4", SHORT BAR LENGTH: 7/8", LONG BAR LENGTH: 2-1/4", DOOR THICKNESS: 1-1/8" TO 2", FITS DOORS UP TO 5" WITH EXTENSION KIT (SOLD SEPARATELY), MATERIAL: ZINC-PLATED STEEL WITH TEFLON COATED STAINLESS STEEL INTERIOR COMPONENTS, FOR EXTERIOR & INTERIOR USE.

2210 MECHANICAL KEYLESS DEADBOLT

- Mechanical, keyless, deadbolt lock
- Knob on exterior, thumb turn on interior
- One User Code (changeable)
- Reversible handing
- Adjustable backset deadbolt



SHOWN IN
OIL RUBBED
BRONZE

SINGLE COMBINATION

Part Number	Description
2210-(finish)	Mechanical Keyless Deadbolt, single combination

DOUBLE COMBINATION

Part Number	Description
2210-(finish)-DC	Mechanical Keyless Deadbolt, double combination

Available Finishes : Antique Brass (AB), Bright Brass (BB), Bright Chrome (BC), Jet Black Marine Grade (JBMG), Oil Rubbed Bronze (OIL), Satin Chrome Marine Grade (SCMG), Satin Nickel (SN), White (WH)

Dimensions & Specs : 5-5/8" L X 1-5/8" W X 1-5/8" D, TOTAL COVERAGE WITH TRIM PLATES: 6-1/2" L X 2-1/2" W, DOOR THICKNESS: 1-1/8" TO 2", FITS DOORS UP TO 5" WITH EXTENSION KIT (SOLD SEPARATELY), MATERIAL: ZINC-PLATED STEEL WITH TEFLON COATED STAINLESS STEEL INTERIOR COMPONENTS, FOR EXTERIOR & INTERIOR USE.

Compatible with : GB2500 Gate Box, Key Override System (KOS)

2210KO MECHANICAL KEYLESS DEADBOLT WITH KEY OVERRIDE

- Mechanical, deadbolt lock with key override
- Knob on exterior, thumb turn on interior
- One User Code (changeable)
- Reversible handing
- Adjustable backset deadbolt
- Available keyed alike or keyed different



2210-KO



2210-DC-KO



SINGLE COMBINATION

Part Number	Description
2210-(finish)-KO	Mechanical Deadbolt with Key Override, single combination

DOUBLE COMBINATION

Part Number	Description
2210-(finish)-DC-KO	Mechanical Deadbolt with Key Override, double combination

Available Finishes : Antique Brass (AB), Bright Brass (BB), Bright Chrome (BC), Jet Black Marine Grade (JBMG), Oil Rubbed Bronze (OIL), Satin Chrome Marine Grade (SCMG), Satin Nickel (SN), White (WH)

Dimensions & Specs : 5-5/8" L X 1-5/8" W X 1-5/8" D, TOTAL COVERAGE WITH TRIM PLATES: 6-1/2" L X 2-1/2" W, DOOR THICKNESS: 1-1/8" TO 2", FITS DOORS UP TO 5" WITH EXTENSION KIT (SOLD SEPARATELY), MATERIAL: ZINC-PLATED STEEL WITH TEFLON COATED STAINLESS STEEL INTERIOR COMPONENTS, FOR EXTERIOR & INTERIOR USE.

2500 MECHANICAL KEYLESS SURFACE MOUNT HOOK BOLT

- Mechanical, keyless hook bolt lock
- Knob on exterior, thumb turn on interior
- One User Code (changeable)
- Reversible handing
- Designed for sliding doors



SHOWN IN SATIN CHROME MARINE GRADE

Part Number	Description
2500-(finish)	Mechanical Keyless Surface Mount Hook Bolt

Available Finishes : Antique Brass (AB), Bright Brass (BB), Jet Black Marine Grade (JBMG), Satin Chrome Marine Grade (SCMG), Satin Nickel (SN), White (WH)

Dimensions & Specs : 5-5/8" L X 1-5/8" W X 1-5/8" D, TOTAL COVERAGE WITH TRIM PLATES: 6" L X 2" W, THROW: 3/8", DOOR THICKNESS: 1-1/8" TO 2", FITS DOORS UP TO 5" WITH EXTENSION KIT (SOLD SEPARATELY), MATERIAL: ZINC-PLATED STEEL WITH TEFLON COATED STAINLESS STEEL INTERIOR COMPONENTS, FOR EXTERIOR & INTERIOR USE.

2500KO MECHANICAL KEYLESS SURFACE MOUNT HOOK BOLT WITH KEY OVERRIDE

- Mechanical, hook bolt lock with key override
- Knob on exterior, thumb turn on interior
- One User Code (changeable)
- Reversible handing
- Designed for sliding doors
- Available keyed alike or keyed different



Part Number	Description
2500-(finish)-KO	Mechanical Surface Mount Hook Bolt with Key Override

Available Finishes : Antique Brass (AB), Bright Brass (BB), Jet Black Marine Grade (JBMG), Satin Chrome Marine Grade (SCMG), Satin Nickel (SN), White (WH)

Dimensions & Specs : 5-5/8" L X 1-5/8" W X 2-1/8" D, TOTAL COVERAGE WITH TRIM PLATES: 6" L X 2" W, THROW: 3/8", DOOR THICKNESS: 1-1/8" TO 2", FITS DOORS UP TO 3" WITH EXTENSION KIT (SOLD SEPARATELY), MATERIAL: ZINC-PLATED STEEL WITH TEFLON COATED STAINLESS STEEL INTERIOR COMPONENTS, FOR EXTERIOR & INTERIOR USE.

2830 MECHANICAL KEYLESS KNOB LOCK WITH PASSAGE FUNCTION

- Mechanical, keyless lock
- Knob on exterior and interior
- One User Code (changeable)
- Reversible handing
- Auto-locking with passage function



SHOWN IN
BRIGHT CHROME



SINGLE COMBINATION

Part Number	Description
2830-(finish)	Mechanical Keyless Knob Lock with Passage Function, single combination

DOUBLE COMBINATION

Part Number	Description
2830-(finish)-DC	Mechanical Keyless Knob Lock with Passage Function, double combination

Available Finishes : Antique Brass (AB), Bright Brass (BB), Bright Chrome (BC), Jet Black Marine Grade (JBMG), Oil Rubbed Bronze (OIL), Satin Chrome Marine Grade (SCMG), Satin Nickel (SN), White (WH)

Dimensions & Specs : 5-5/8" L X 1-5/8" W X 2-1/4" D, TOTAL COVERAGE WITH TRIM PLATES: 6-1/2" L X 2-1/2" W, DOOR THICKNESS: 1-1/8" TO 2", FITS DOORS UP TO 5" WITH EXTENSION KIT (SOLD SEPARATELY), MATERIAL: ZINC-PLATED STEEL WITH TEFLON COATED STAINLESS STEEL INTERIOR COMPONENTS, FOR EXTERIOR & INTERIOR USE.

Compatible with : GBS2000, GB2500 Gate Box, Key Override System (KOS), 2835-Adapter, 2835 Lever

KOS KEY OVERRIDE SYSTEM WORKS WITH: 2200, 2210, 2830, 2835, 285P, ALL DC'S

- Add-On Key Override System
- Schlage Keyway
- Available keyed alike or keyed different
- Three keys included
- KOS and lock sold separately



Part Number	Description
KOS	Key Override System

Available Finishes : Antique Brass (AB), Bright Brass (BB), Bright Chrome (BC), Jet Black Marine Grade (JBMG), Oil Rubbed Bronze (OIL), Satin Chrome Marine Grade (SCMG), Satin Nickel (SN), White (WH)

Dimensions & Specs : 8-1/16" L X 2-9/16" W X 2" D, DOOR THICKNESS: 1-1/8" TO 2", UP TO 5" THICK DOOR WITH EXTENSION KIT, MATERIAL: ALUMINUM, REVERSIBLE HANDING, FOR EXTERIOR & INTERIOR USE.



2835 MECHANICAL KEYLESS LEVER LOCK WITH PASSAGE FUNCTION

- Mechanical, keyless lock
- Lever on exterior and interior
- One User Code (changeable)
- Reversible handing
- Auto-locking with passage function



SHOWN IN SATIN CHROME MARINE GRADE



SINGLE COMBINATION

Part Number	Description
2835-(finish)	Mechanical Keyless Lever Lock with Passage Function, single combination



DOUBLE COMBINATION

Part Number	Description
2835-(finish)-DC	Mechanical Keyless Lever Lock with Passage Function, double combination

Available Finishes : Antique Brass (AB), Bright Brass (BB), Bright Chrome (BC), Jet Black Marine Grade (JBMG), Oil Rubbed Bronze (OIL), Satin Chrome Marine Grade (SCMG), Satin Nickel (SN), White (WH)

Dimensions & Specs : 5-5/8" L X 1-5/8" W X 2-1/4" D, TOTAL COVERAGE WITH TRIM PLATES: 6-1/2" L X 2-1/2" W, LEVER SIZE: 4" W X 1" H, DOOR THICKNESS: 1-1/8" TO 2", FITS DOORS UP TO 5" WITH EXTENSION KIT (SOLD SEPARATELY), MATERIAL: ZINC-PLATED STEEL WITH TEFLON COATED STAINLESS STEEL INTERIOR COMPONENTS, FOR EXTERIOR & INTERIOR USE.

Compatible with : GBS2000, GB2500 Gate Box, Key Override System (KOS), 2835-Adapter, 2830 Knob

2900 MECHANICAL KEYLESS NARROW STILE DEADBOLT LOCK

- Mechanical, keyless narrow stile deadbolt lock
- Knob on exterior, thumb turn on interior
- One User Code (changeable)
- 1-1/8" Backset Deadbolt, replaces Adams-Rite style locks
- Ideal for aluminum storefront doors and gates



SHOWN IN
SATIN CHROME
MARINE GRADE



SINGLE COMBINATION

Part Number	Description
2900-(finish)	Mechanical Keyless Narrow Stile Deadbolt Lock, single combination



DOUBLE COMBINATION

Part Number	Description
2900-(finish)-DC	Mechanical Keyless Narrow Stile Deadbolt Lock, double combination

Available Finishes : Jet Black Marine Grade (JBMG), Oil Rubbed Bronze (OIL), Satin Chrome Marine Grade (SCMG), Satin Nickel (SN)

Dimensions & Specs : 5-5/8" L X 1-5/8" W X 1-5/8" D, TOTAL COVERAGE WITH TRIM PLATES: 6" L X 2" W, DOOR THICKNESS: 1-1/8" TO 2", FITS DOORS UP TO 5" WITH EXTENSION KIT (SOLD SEPARATELY), MATERIAL: ZINC-PLATED STEEL WITH TEFLON COATED STAINLESS STEEL INTERIOR COMPONENTS, FOR EXTERIOR & INTERIOR USE.

Compatible with : GB900+, GB2900LINX, SB2900

2950 MECHANICAL KEYLESS NARROW STILE HOOK BOLT LOCK

- Mechanical, keyless, narrow stile hook bolt lock
- Knob on exterior, thumb turn on interior
- One User Code (changeable)
- 1-1/8" Backset Hook bolt, replaces Adams-Rite style locks
- Ideal for aluminum storefront doors and sliding gates



SHOWN IN SATIN CHROME MARINE GRADE



SINGLE COMBINATION

Part Number	Description
2950-(finish)	Mechanical Keyless Narrow Stile Hook Bolt Lock, single combination



DOUBLE COMBINATION

Part Number	Description
2950-(finish)-DC	Mechanical Keyless Narrow Stile Hook Bolt Lock, double combination

Available Finishes : Jet Black Marine Grade (JBMG), Oil Rubbed Bronze (OIL), Satin Chrome Marine Grade (SCMG), Satin Nickel (SN)

Dimensions & Specs : 5-5/8" L X 1-5/8" W X 1-5/8" D, TOTAL COVERAGE WITH TRIM PLATES: 6" L X 2" W, THROW: 1-1/2", DOOR THICKNESS: 1-1/8" TO 2", FITS DOORS UP TO 5" WITH EXTENSION KIT (SOLD SEPARATELY), MATERIAL: ZINC-PLATED STEEL WITH TEFLON COATED STAINLESS STEEL INTERIOR COMPONENTS, FOR EXTERIOR & INTERIOR USE.

Compatible with : GB900+, GB2900LINX, SB2900

2930 MECHANICAL KEYLESS NARROW STILE KNOB LOCK WITH PASSAGE FUNCTION

- Mechanical, keyless narrow stile knob lock
- Auto-locking with passage function
- One User Code (changeable)
- 1-1/8" Backset Latch, replaces Adams-Rite style locks
- Ideal for gates



WEATHER
RESISTANT



SHOWN IN
SATIN CHROME
MARINE GRADE



SINGLE COMBINATION

Part Number	Description
2930-(finish)	Mechanical Keyless Narrow Stile Knob Lock with Passage Function, single combination



DOUBLE COMBINATION

Part Number	Description
2930-(finish)-DC	Mechanical Keyless Narrow Stile Knob Lock with Passage Function, double combination

Available Finishes : Jet Black Marine Grade (JBMG), Oil Rubbed Bronze (OIL), Satin Chrome Marine Grade (SCMG), Satin Nickel (SN)

Dimensions & Specs : 5-5/8" L X 1-5/8" W X 2-1/4" D", TOTAL COVERAGE WITH TRIM PLATES: 6" L X 2" W, DOOR THICKNESS: 1-1/8" TO 2", FITS DOORS UP TO 5" WITH EXTENSION KIT (SOLD SEPARATELY), MATERIAL: ZINC-PLATED STEEL WITH TEFLON COATED STAINLESS STEEL INTERIOR COMPONENTS, FOR EXTERIOR & INTERIOR USE.

Compatible with : GB900+, GB2900LINX, SB2985, 2985 Lever

2985 MECHANICAL KEYLESS NARROW STILE LEVER LOCK WITH PASSAGE FUNCTION

- Mechanical, keyless narrow stile lever lock
- Auto-locking with passage function
- One User Code (changeable)
- 1-1/8" Backset Latch, replaces Adams-Rite style locks
- Ideal for gates



SHOWN IN
SATIN CHROME
MARINE GRADE



SINGLE COMBINATION

Part Number	Description
2985-(finish)	Mechanical Keyless Narrow Stile Lever Lock with Passage Function, single combination



DOUBLE COMBINATION

Part Number	Description
2985-(finish)-DC	Mechanical Keyless Narrow Stile Lever Lock with Passage Function, double combination

Available Finishes : Jet Black Marine Grade (JBMG), Oil Rubbed Bronze (OIL), Satin Chrome Marine Grade (SCMG), Satin Nickel (SN)

Dimensions & Specs : 5-5/8" L X 1-5/8" W X 2-1/4" D", TOTAL COVERAGE WITH TRIM PLATES: 6" L X 2" W, DOOR THICKNESS: 1-1/8" TO 2", FITS DOORS UP TO 5" WITH EXTENSION KIT (SOLD SEPARATELY), MATERIAL: ZINC-PLATED STEEL WITH TEFLON COATED STAINLESS STEEL INTERIOR COMPONENTS, FOR EXTERIOR & INTERIOR USE.

Compatible with : GB900+, GB2900LINX, SB2985, 2930 Knob

3210 MECHANICAL KEYLESS DEADBOLT LOCK

- Mechanical, keyless deadbolt lock
- Oversized knob on exterior and interior
- One User Code (changeable)
- Reversible handing
- Adjustable backset deadbolt



SINGLE COMBINATION

Part Number	Description
3210MG	Mechanical Keyless Deadbolt Lock, Satin Chrome Marine Grade Finish, single combination



DOUBLE COMBINATION

Part Number	Description
3210MGDC	Mechanical Keyless Deadbolt Lock, Satin Chrome Marine Grade Finish, double combination

Available Finishes : Satin Chrome Marine Grade (SCMG)

Dimensions & Specs : 6-1/4" L X 1-3/4" W X 2" D, TOTAL COVERAGE WITH TRIM PLATES: 6-3/4" L X 2-1/4" W, DOOR THICKNESS: 1-1/8" TO 2", FITS DOORS UP TO 5" WITH EXTENSION KIT (SOLD SEPARATELY), MATERIAL: ZINC-PLATED STEEL WITH TEFLON COATED STAINLESS STEEL INTERIOR COMPONENTS, FOR EXTERIOR & INTERIOR USE.

Compatible with : GB2500

3830 MECHANICAL KEYLESS KNOB LOCK WITH PASSAGE FUNCTION

- Mechanical, keyless knob lock
- Auto-locking with passage function
- One User Code (changeable)
- Reversible handing
- Adjustable backset latch



SHOWN IN
SATIN CHROME
MARINE GRADE



SINGLE COMBINATION

Part Number	Description
3830-(finish)	Mechanical Keyless Knob Lock with Passage Function, single combination



DOUBLE COMBINATION

Part Number	Description
3830-(finish)-DC	Mechanical Keyless Knob Lock with Passage Function, double combination

Available Finishes : Jet Black Marine Grade (JBMG), Oil Rubbed Bronze (OIL), Satin Chrome Marine Grade (SCMG), Satin Nickel (SN)

Dimensions & Specs : 6-5/16" L X 1-3/4" W X 2-1/4" D, TOTAL COVERAGE WITH TRIM PLATES: 7" L X 2-1/4" W, DOOR THICKNESS: 1-1/8" TO 2", FITS DOORS UP TO 5" WITH EXTENSION KIT (SOLD SEPARATELY), MATERIAL: ZINC-PLATED STEEL WITH TEFLON COATED STAINLESS STEEL INTERIOR COMPONENTS, FOR EXTERIOR & INTERIOR USE.

Compatible with : GB2500, 3835 Lever

3835 MECHANICAL KEYLESS LEVER LOCK WITH PASSAGE FUNCTION

- Mechanical, keyless lever lock
- Auto-locking with passage function
- One User Code (changeable)
- Reversible handing
- Adjustable backset latch



SHOWN IN
SATIN CHROME
MARINE GRADE



SINGLE COMBINATION

Part Number	Description
3835-(finish)	Mechanical Keyless Lever Lock with Passage Function, single combination



DOUBLE COMBINATION

Part Number	Description
3835-(finish)-DC	Mechanical Keyless Lever Lock with Passage Function, double combination

Available Finishes : Jet Black Marine Grade (JBMG), Oil Rubbed Bronze (OIL), Satin Chrome Marine Grade (SCMG), Satin Nickel (SN)

Dimensions & Specs : 6-5/16" L X 1-3/4" W X 2-1/4" D, TOTAL COVERAGE WITH TRIM PLATES: 7" L X 2-1/4" W, DOOR THICKNESS: 1-1/8" TO 2", FITS DOORS UP TO 5" WITH EXTENSION KIT (SOLD SEPARATELY), MATERIAL: ZINC-PLATED STEEL WITH TEFLON COATED STAINLESS STEEL INTERIOR COMPONENTS, FOR EXTERIOR & INTERIOR USE.

Compatible with : GB2500, 3830 Knob



GL2 SURFACE MOUNT GATE LOCK

- Easy to install surface mount gate kit, lock included
- No welding needed
- Auto-locking with passage function
- Keyed cylinder lockout function prevents code use when locked
- Adjustable strike accommodates gate gaps up to 2"



WEATHER RESISTANT

SHOWN IN SATIN CHROME MARINE GRADE



LEARN MORE



SINGLE COMBINATION

Part Number	Description
GL2-(finish)	Surface Mount Gate Lock with Passage and Key Lockout Function, single combination

DOUBLE COMBINATION

Part Number	Description
GL2-(finish)-DC	Surface Mount Gate Lock with Passage and Key Lockout Function, double combination

Available Finishes : Jet Black Marine Grade (JBMG), Satin Chrome Marine Grade (SCMG)

Dimensions & Specs : DIMENSIONS ON GATE: 9-5/16" L X 2-1/2" W X 4" D, DIMENSIONS ON FENCE POST: 8-5/8" L X 1-1/2" W X 2-1/4" D, GATE THICKNESS: 1-1/4" TO 3.5", UP TO 5" WITH EXTENSION KIT (SOLD SEPARATELY), MINIMUM GATE STILE WIDTH: 1-3/4", LOCK MATERIAL: ZINC-PLATED STEEL TEFLON COATED STAINLESS STEEL INTERIOR COMPONENTS, FOR EXTERIOR & INTERIOR USE. TO RETAIN PRODUCT WARRANTY, A SLAM PREVENTION DEVICE MUST BE INSTALLED.

Compatible with : GL2LINX158, GL2LINX178

GL2LINX ADAPTER

- Chain Link Gate Adapter – Lock sold separately
- For mounting a LockeyUSA SUMO® GL2 keyless gate lock on a chain link gate
- Bolts on, no welding needed

Part Number	Description
GL2LINX158	1-5/8" Adapter for installing the SUMO® GL2 on Chain Link Gates
GL2LINX178	1-7/8" Adapter for installing the SUMO® GL2 on Chain Link Gates



MC728 MECHANICAL COMBINATION CAM LOCK



WEATHER
RESISTANT

- Mechanical cam lock
- 4 Wheel Combination
- 10,000 unique combinations
- Lost code finder key
- Easy Installation

Part Number	Description
MC728-(finish)	Mechanical Combination Cam Lock

Available Finishes : Silver (S), Black (B)

Dimensions & Specs : DIAMETER: 56 X 28MM, NUT FIXING: 3/4" – 27 UN X 21MM LONG (16.5MM A/F), CAM FIXING: 8MM SQ. WITH M4 THREAD, MATERIAL: ZINC DIE – CAST CONSTRUCTION, FINISH: POWDER COATED, FOR EXTERIOR & INTERIOR USE, WEATHER RESISTANT, LIMITED LIFETIME MECHANICAL WARRANTY



MS40 MECHANICAL COMBINATION SLIDE BOLT LOCK



WEATHER
RESISTANT

- Mechanical keyless slide bolt
- Surface mounted
- 4 Wheel Combination
- Ideal for retrofitting
- Easy Installation

Part Number	Description
MS40	Mechanical Combination Slide Bolt Lock

Available Finishes : Black

Dimensions & Specs : 2" L X 3-1/2" W X 1-1/4" D, THROW: 7/8", MATERIAL: CORROSION RESISTANT ZINC DIECAST BODY, WEATHER RESISTANT, FOR EXTERIOR & INTERIOR USE



MECHANICAL LOCK ACCESSORIES

Product	Description
PINKIT	Extra Combination Tumblers
TPS- TAMPER PROOF	Tamper Proof Screws
EXT KIT 1150 ADJ	Extension Kit for use with 1150/1600 on doors/gates up to 5" thick
EXT KIT 2000/3000	Extension Kit for use with C/M/2000/3000 Series on doors/gates up to 5" thick
EXT KIT 2835 ADJUST	Extension Kit for use with 2830/2835/3830/3835 on doors/gates up to 5" thick
Extension Kit for Key Override	Extension Kit for use with Mechanical Locks with Key Override
Extension Kit- SUMO GL2	Extension Kit for use with SUMO® GL2 Surface Mount Gate Lock
TDK	Thin Door Kit for use with surface mount keyless locks
ADJUSTABLE DEADBOLT	Adjustable Deadbolt for use with M210, 2210, 3210
SLADJUSTABLE LEVER	Adjustable Latch for use with 1150, 1600, 2830, 2835, 3830, 3835
SKADJKNOB LATCH	Adjustable Latch for use with M230
M Series Outside Body	M Series Outside Body, specify finish
M Series Inside Body	M Series Inside Body, specify finish
M Series DC Inside Body	M Series DC Inside Body, specify finish
1150/1600 Outside Body	1150/1600 Outside Body, specify finish
1150/1600 Inside Body	1150/1600 Inside Body, specify finish
16-KNOB	Knob for use on 1150/1600 Mechanical Keyless Lock, specify finish
2000 Series Outside Body	2000 Series Outside Body, specify finish
2000 Series Inside Body	2000 Series Inside Body, specify finish
2000 Series DC Inside Body	2000 Series DC Inside Body, specify finish
2835 Outside Body	2835 Outside Body, specify finish
2835 Inside Body	2835 Inside Body, specify finish
2835DC Inside Body	2835DC Inside Body, specify finish
2835 LEVER ONLY	Lever for use on 2830, 2835, 2985, 2930, 3830, 3835, specify finish
28-KNOB	Lever for use on 2830, 2835, 2985, 2930, 3830, 3835, specify finish
900-BOLT	Narrow Stile Deadbolt for use with 2900
930LATCH	Narrow Stile Latch for use with 2930, 2985
950-HOOK	Narrow Stile Hook Bolt for use with 2950
T-COVER 1150	T Cover 1150 (3" x 8 1/2" Cover Plate) for use with 1150, 1600
T-COVER 2500	T Cover 2500 (3 1/4" x 9" Cover Plate) for use with 2000 and 3000 Series
T-METAL	T-Metal Metal Trim Plate for use with 2000 Series Locks
PPG Push/Pull Guard	Push/Pull Guard for use with 2000 Series, 3000 Series, 310P
AR2991 Adams Rite Mounting Tabs	Mounting Tabs for use with 2900 Series Narrow Stile Locks

For a list of all available accessories, please contact your LockeyUSA sales representative.

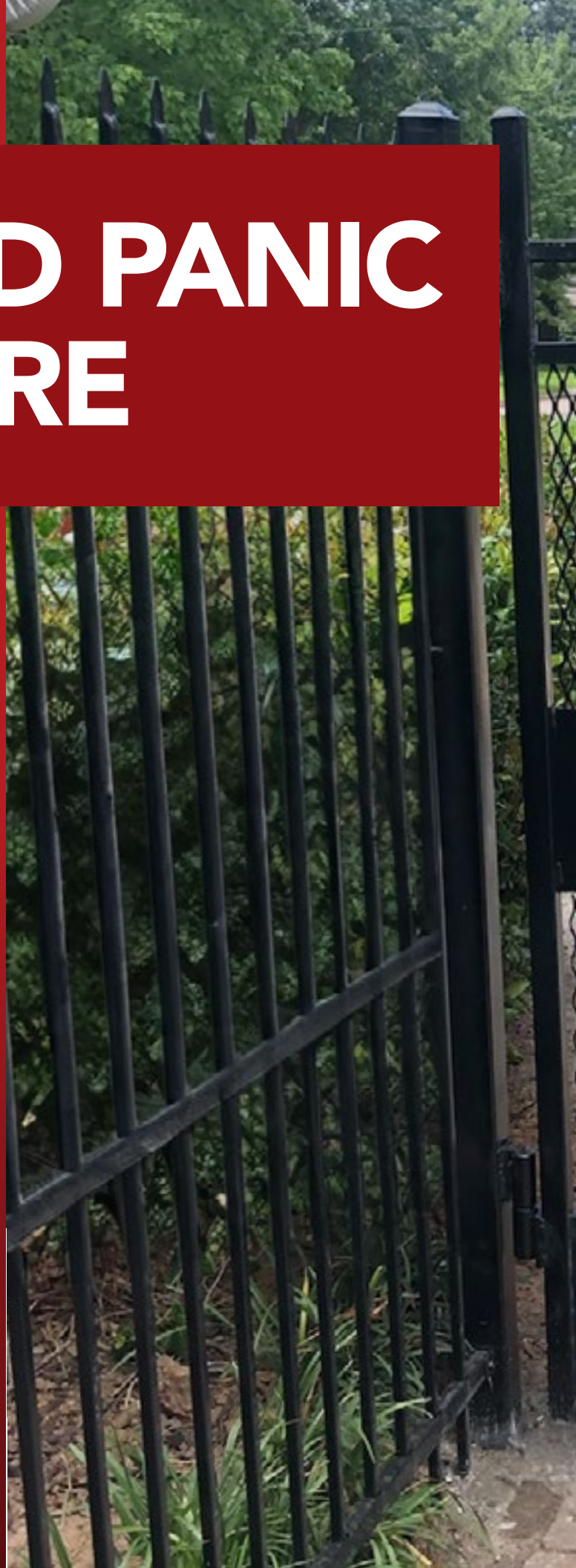
GATE AND PANIC HARDWARE

TABLE OF CONTENTS

Gate Boxes	172
Gate Closers	174
Gate Closer Accessories	177
Gate and Panic Hardware	178
Panic Shields	179
Panic Bars	180
Panic Trims	181
Trim Boxes	182
Panic Shield Kits	183
Panic Shield Comparison Chart	190

LOCKEY
USA

Photo courtesy of AGF Custom Metal Concepts





WELDABLE GATE BOXES



Part Number	Description
GB200-M	Steel Gate Box for use with M210, M230
GB200-MAL	Aluminum Gate Box for use with M210, M230



Part Number	Description
GB210	Steel Gate Box for use with M210 + knob/lever
GB210-AL	Aluminum Gate Box for use with M210 + knob/lever



Part Number	Description
GB210PLUSDC	Kit includes GB210 Steel Gate Box, M210DC, knob
GB210PLUSDCAL	Kit includes GB210 Aluminum Gate Box, M210DC, knob



Part Number	Description
GB210PLUSDCALEVER	Kit includes GB210 Steel Gate Box, M210DC, lever
GB210PLUSDCLEVERAL	Kit includes GB210 Aluminum Gate Box, M210DC, lever



Part Number	Description
GB900+	Steel Gate Box for use with 2900, 2930, 2950, 2985 (replaces GB900 and GB950)
GB900AL+	Aluminum Gate Box for use with 2900, 2930, 2950, 2985 (replaces GB900AL and GB950AL)



Part Number	Description
GB1150	Steel Gate Box for use with 1150, 1600
GB1150-AL	Aluminum Gate Box for use with 1150, 1600



Part Number	Description
GB2500	Steel Gate Box for use with 2210, 2830, 2835, 3210, 3830, 3835
GB2500ALUMINUM	Aluminum Gate Box for use with 2210, 2830, 2835, 3210, 3830, 3835

NON-WELDABLE GATE BOXES

PATENT PENDING

GBS2000 MECHANICALLY ATTACHED GATE BOX

- **Installs without welding**
Fits 2" x 2" square gate frames
- **Easy installation**
Simple to retrofit into an existing gate
- **For use with LockeyUSA 2830/2835 Mechanical Keyless Locks**
Lock available in single and double combination, sold separately



WEATHER RESISTANT

SCAN FOR INSTALLATION VIDEO



SHOWN WITH 2835 INSTALLED

Part Number	Description
GBS2000	Mechanically Attached Gate Box for use with LockeyUSA 2830, 2835 on a 2" square gate frame

Available Finishes for 2830/2835 locks, sold separately : Antique Brass (AB), Bright Brass (BB), Bright Chrome (BC), Jet Black Marine Grade (JBMG), Oil Rubbed Bronze (OB), Satin Chrome Marine Grade (SCMG), Satin Nickel (SN), White (WH)

Dimensions & Specs : DIMENSIONS: 9.5" LX 3.75" WX 2.29" D. GATE FRAME SIZE: 2". MATERIAL: CAST ALUMINUM. FOR EXTERIOR AND INTERIOR USE.



Part Number	Description
GBADDABOLT	Narrow Stile Gate Box for use with M210DC and Drive-In-Deadbolt

Part Number	Description
GBADDABOLT DC KIT	Kit includes GBADDABOLT Narrow Stile Gate Box, M210DC and Drive-In-Deadbolt

Part Number	Description
GB2900LINX	Stainless Steel Chain Link Gate Box for use with 2900, 2930, 2950, 2985

2835-ADAPTER PATENTED

- Easily install the 2835 or 2830 Mechanical Keyless Lock (sold separately) on a gate
- No need for a gate box or welding
- Ideal for vinyl and ornamental gates
- Installs on gates 1.75" to 5" thick without the need for an extension kit
- Works with gate gaps ranging from .4" to 1.5"
- Weather Resistant
- Reversible Handing



Part Number	Description
2835-Adapter	Adapter for installing the 2835/2830 on Vinyl and Ornamental Gates, black

TB100 TURTLEBACK GATE CLOSER

- Gently closes gates up to 125 lbs. and 54" wide
- Pushes gate closed with adjustable closing speed
- Can be used on lightweight, non-fire rated doors
- Hinge Arrangements: In-Line/Flush Hinges
- Gap between hinges and gate post should be 1" or less



WEATHER
RESISTANT



Part Number	Description
TB100	Turtleback Gate Closer

Dimensions & Specs : 7-1/2" L X 13" W X 2-1/2" D, MOUNTING BRACKET DIMENSIONS: 3-1/4" X 1-3/4", MAX. GATE WEIGHT: 125 LBS., MAX. GATE WIDTH: 54", MAX. OPENING ANGLE: 90 DEGREES, MIN. OPERATING TEMPERATURE: 10 DEGREES, MAX. OPERATING TEMPERATURE: 110 DEGREES, GATE MATERIAL TYPE: VINYL, WOOD, METAL, CHAIN LINK, CLOSING/LATCHING METHOD: HYDRAULIC, MATERIAL: STEEL, FINISH: POWDER COATED, FINISH COLOR: BLACK, HINGE ARRANGEMENTS: IN-LINE/FLUSH, OPENING PRESSURE: VARIABLE DEPENDING ON GATE SIZE

TB175 GARDEN GATE CLOSER

- Gently closes gates up to 110 lbs. and 54" wide
- Pushes gate closed with adjustable closing and latching speed
- Hold-open feature allows gate to be temporarily held open
- Flush mount closer
- Hinge Arrangements: In-Line/Flush Hinges



WEATHER
RESISTANT

Part Number	Description
TB175B	Garden Gate Closer, Black
TB175W	Garden Gate Closer, White

Available Finishes : Black (B), White (W)

Dimensions & Specs : 12-1/2" L X 2-1/2" W X 2-3/8" D, MAX. GATE WEIGHT: 110 LBS., MAX. GATE WIDTH: 54", MAX. OPENING ANGLE: 90 DEGREES, GATE MATERIAL TYPE: METAL, VINYL, WOOD, CLOSING/LATCHING: ADJUSTABLE, MATERIAL: STEEL, FINISH: POWDER COATED, FINISH COLOR: BLACK OR WHITE, HINGE ARRANGEMENTS: IN-LINE, OPENING PRESSURE: VARIABLE DEPENDING ON GATE SIZE

HYDRAULIC GATE CLOSERS

- Hydraulic controlled closing speed
- Installs on top/middle/bottom of left and right hand gates
- Mounts on opening side of gate, pushes the gate closed
- Mounting brackets and fitting bar included
- Hinge Arrangements: In-line or Offset



TB200 / TB400 / TB600

Part Number	Description	Opening Pressure
TB200	Hydraulic Gate Closer for gates 50 to 125 lbs., 30-52" wide	3-7 lbs.
TB400	Hydraulic Gate Closer for gates 75 to 175 lbs., 40-64" wide	6-12 lbs.
TB600	Hydraulic Gate Closer for gates 150 to 250 lbs., 44-72" wide	8-18 lbs.

Available Finishes : Black

Dimensions & Specs : MAX. OPENING ANGLE: 100 DEGREES, MIN. OPERATING TEMPERATURE: 15 DEGREES FAHRENHEIT*, MAX. OPERATING TEMPERATURE: 122 DEGREES FAHRENHEIT*, TYPE OF GATE MATERIAL: VINYL, STEEL, WOOD, CHAIN LINK**, CLOSING/LATCH METHOD: HYDRAULIC/NITROGEN GAS, MATERIAL: STEEL. *OPERATION OF THE CLOSER IN TEMPERATURES BELOW OR ABOVE THE MINIMUM AND MAXIMUM OPERATING TEMPERATURES MAY RESULT IN IMPROPER OPERATION OR COMPLETE FAILURE OF THE CLOSER. **CAN BE MOUNTED ON CHAIN LINK GATES WITH THE TBLINX, SOLD SEPARATELY.

Compatible with : TBLINX, TBLINX 4"



TB200SS / TB400SS / TB600SS

Part Number	Description	Opening Pressure
TB200SS	Hydraulic Gate Closer for gates 50 to 125 lbs., 30-52" wide, Stainless Steel	3-7 lbs.
TB400SS	Hydraulic Gate Closer for gates 75 to 175 lbs., 40-64" wide, Stainless Steel	6-12 lbs.
TB600SS	Hydraulic Gate Closer for gates 150 to 250 lbs., 44-72" wide, Stainless Steel	8-18 lbs.

Available Finishes : Stainless Steel

Dimensions & Specs : MAX. OPENING ANGLE: 100 DEGREES, MIN. OPERATING TEMPERATURE: 15 DEGREES FAHRENHEIT*, MAX. OPERATING TEMPERATURE: 122 DEGREES FAHRENHEIT*, TYPE OF GATE MATERIAL: VINYL, STEEL, WOOD, CHAIN LINK**, CLOSING/LATCH METHOD: HYDRAULIC/NITROGEN GAS, MATERIAL: STAINLESS STEEL. *OPERATION OF THE CLOSER IN TEMPERATURES BELOW OR ABOVE THE MINIMUM AND MAXIMUM OPERATING TEMPERATURES MAY RESULT IN IMPROPER OPERATION OR COMPLETE FAILURE OF THE CLOSER. **CAN BE MOUNTED ON CHAIN LINK GATES WITH THE TBLINX, SOLD SEPARATELY.

Compatible with : TBLINX, TBLINX 4"

ADJUSTABLE HYDRAULIC GATE CLOSERS

- Adjustable Hydraulic controlled closing speed
- Installs on top/middle/bottom of left and right hand gates
- Mounts on opening side of gate, pushes the gate closed
- Mounting brackets and fitting bar included
- Hinge Arrangements: In-line or Offset



TB250 / TB450 / TB650

Part Number	Description	Opening Pressure
TB250-finish)	Adjustable Hydraulic Gate Closer for gates 50 to 125 lbs., 30-52" wide	3-7 lbs.
TB450-finish)	Adjustable Hydraulic Gate Closer for gates 75 to 175 lbs., 40-64" wide	6-12 lbs.
TB650-finish)	Adjustable Hydraulic Gate Closer for gates 150 to 250 lbs., 44-72" wide	8-18 lbs.

Available Finishes : Black (B), White (W), Grey (G)

Dimensions & Specs : MAX. OPENING ANGLE: 100 DEGREES, MIN. OPERATING TEMPERATURE: 15 DEGREES FAHRENHEIT*, MAX. OPERATING TEMPERATURE: 122 DEGREES FAHRENHEIT*, TYPE OF GATE MATERIAL: VINYL, STEEL, WOOD, CHAIN LINK**, CLOSING/LATCH METHOD: HYDRAULIC/NITROGEN GAS, MATERIAL: STEEL, FINISH: PVC WRAPPED. *OPERATION OF THE CLOSER IN TEMPERATURES BELOW OR ABOVE THE MINIMUM AND MAXIMUM OPERATING TEMPERATURES MAY RESULT IN IMPROPER OPERATION OR COMPLETE FAILURE OF THE CLOSER. **CAN BE MOUNTED ON CHAIN LINK GATES WITH THE TBLINX, SOLD SEPARATELY.

Compatible with : TBLINX, TBLINX 4"

TB950 MAGNUM GATE CLOSER

- All-in-one closer and hinge system
- Concealed, high use, pedestrian gate closer
- Tamper and vandal resistant
- Million cycle tested
- Two speed adjustments: closing & latching



Part Number	Description
TB950	All-in-One Gate Closer and Hinge System for high-use gates 50-250 lbs.

Compatible with : TB950 LINX, TB950PLATE 180 DRIVE



TB600
HYDRAULIC
GATE CLOSER

GATE CLOSER ACCESSORIES

Product	Description
TBLINX	For mounting TB200, TB400, TB600, TB250, TB450, TB650 on chain link gates
TBLINX 4"	For mounting TB200, TB400, TB600, TB250, TB450, TB650 on chain link gates, 4"
TB950 LINX	For mounting TB950 Magnum on chain link gates
TB950PLATE 180 DRIVE	180 Drive Plate for TB950, increases max. opening angle to 180 degrees, saloon style
TBMOUNTING KIT	Mounting Kit for TB200, TB400, TB600, TB250, TB450, TB650

For a list of all available accessories, please contact your LockeyUSA sales representative.

GATE & PANIC HARDWARE

2900 STRIKE BRACKET

- Strike Bracket for 2900/2950 locks, includes necessary mounting hardware



Part Number	Description
SB2900-KIT	Strike Bracket for use with 2900, 2950

2985 STRIKE BRACKET

- Strike Bracket for 2930/2985 locks, includes necessary mounting hardware



Part Number	Description
SB2985-KIT	Strike Bracket for 2930, 2985

PS STRIKE BRACKET

- For standard style shield setups, includes mounting hardware



Part Number	Description
PSSBB-KIT	Strike Bracket, black
PSSBS-KIT	Strike Bracket, silver

ED STRIKE BRACKET

- For EDGE style shield setups, includes mounting hardware



Part Number	Description
ED-SB-BLACK	EDGE Strike Bracket, black
ED-SB-SILVER	EDGE Strike Bracket, silver

MAX GUARD

- Mounts above panic bar to prevent tampering 4" Protrusion, 24" wide



Part Number	Description
PSMAXBLACK	Max Guard, black
PSMAXSILVER	Max Guard, silver

LATCH PROTECTOR

- Provides extra security to gate latches, for gates with over 1" gap



Part Number	Description
LPB	Latch Protector, black
LPS	Latch Protector, silver

GATE STOP

- Prevents gate from opening past 90°



Part Number	Description
GSHD-90 KIT	Gate Stop, Heavy Duty

EDGE JAMB STOP

- Prevents chain link gate from swinging through



Part Number	Description
ED-LINX	EDGE LINX Gate Jamb Stop

GATE STOP FOR CHAIN LINK GATES

- Prevents chain link gate from opening past 90°



Part Number	Description
GS-LINX	Gate Stop for Chain Link Gates
GS-LINX4"	Gate Stop for Chain Link Gates, 4"

PRE-DRILLED PANIC SHIELDS

- Mounting plate for a panic bar
- Pre-drilled for PB1100 and V40 Series
- Turns gates into emergency exits
- 16ga Electro-galvanized Steel
- Adjustable width from 28" to 54"
- Available in 12" and 24" shield heights
- Powder coated finish



Part Number	Description
ED3X1BLACK12"	12" EDGE Style Panic Shield 3x1, predrilled for PB1100 & V40 Series Panic Bars, black
ED3X1SILVER12"	12" EDGE Style Panic Shield 3x1, predrilled for PB1100 & V40 Series Panic Bars, silver
ED3X1BLACK24"	24" EDGE Style Panic Shield 3x1, predrilled for PB1100 & V40 Series Panic Bars, black
ED3X1SILVER24"	24" EDGE Style Panic Shield 3x1, predrilled for PB1100 & V40 Series Panic Bars, silver
PS3X1BLACK12"	12" PS Panic Shield 3x1, predrilled for PB1100 & V40 Series Panic Bars, black
PS3X1SILVER12"	12" PS Panic Shield 3x1, predrilled for PB1100 & V40 Series Panic Bars, silver
PS3X1BLACK24"	24" PS Panic Shield 3x1, predrilled for PB1100 & V40 Series Panic Bars, black
PS3X1SILVER24"	24" PS Panic Shield 3x1, predrilled for PB1100 & V40 Series Panic Bars, silver

PANIC SHIELDS

- Mounting plate for a panic bar
- Turns gates into emergency exits
- 16ga Electro-galvanized Steel
- Adjustable width from 28" to 54"
- Available in 12" and 24" shield heights
- Powder coated finish



PS12

PS24

Part Number	Description
PS12-B	12" PS Panic Shield, black
PS12-S	12" PS Panic Shield, silver
PS24-B	24" PS Panic Shield, black
PS24-S	24" PS Panic Shield, silver

PANIC SHIELD EXTENSION PANELS

- Extension shields
- Extends panic shield to 74"
- 16ga Electro-galvanized Steel
- Available in 12" and 24" shield heights
- Powder coated finish



PSEXT12

PSEXT24

Part Number	Description
PSEXT12BLACK	12" PS Extension Panel, black
PSEXT12SILVER	12" PS Extension Panel, silver
PSEXT24BLACK	24" PS Extension Panel, black
PSEXT24SILVER	24" PS Extension Panel, silver

PB1100 PANIC BARS

- Grade 1 Certified ANSI/BHMA A156.3 Series
- Complies with ANSI A117.a ADA requirements
- UL/cUL Listed
- Weather Resistant
- Latch Bolt: Stainless Steel Powder Metallurgy, 11/16" throw
- Deadlocking Latch: Stainless Steel Powder Metallurgy, 9/16" throw
- Narrow Stile: 2 1/2"
- Door Thickness: 1 3/4" (standard)
- Field-sizable: Can be cut down to 27"
- Compatible with all LockeyUSA Panic Trims & Keyless Panic Trims
- PB1100 Device Length: 33" for 36" doors
- PB1142 Device Length: 42" for 48" doors
- PB1100FR only: UL/cUL Listed 3 hour fire-rated 10C, UBC 7-2 (1997)



Part Number	Description
PB1100-AL	PB1100 Panic Bar
PB1100-SS	PB1100 Panic Bar, Stainless Steel
PB1100FRFIRE	PB1100 Panic Bar, Fire Rated
PB1142-42	PB1142 Panic Bar for 48" Doors
PB1142-SS	PB1142 Panic Bar for 48" Doors, Stainless Steel

V40 SERIES

- ANSI and BHMA Grade 1 Certified
- UL/cUL Listed
- ADA Compliant
- Narrow Stile: 2 1/2"
- Door Thickness: 1 3/4" (standard)
- Field-sizable
- Weatherized option available



Part Number	Description
V40	Detex 33" Panic Bar
V40x48	Detex 42" Panic Bar
V40x711	Detex 33" Panic Bar, black
V40x711x48	Detex 42" Panic Bar, black
V40xW	Detex 33" Panic Bar, weatherized
V40xEB	Detex 33" Alarm Bar

Part Number	Description
V40xEBx48	Detex 42" Alarm Bar
V40xEBx711	Detex 33" Alarm Bar, black
V40xEBx711x48	Detex 42" Alarm Bar, black
V40xEBxW	Detex 33" Alarm Bar, weatherized
V40xEBxWx48	Detex 42" Alarm Bar, weatherized
V40xEBxWx711	Detex 33" Alarm Bar, weatherized, black
V40xEBxWx711x48	Detex 42" Alarm Bar, weatherized, black

KEYLESS PANIC TRIMS

- Compatible with panic bars that accept a flat tail piece and have a turn radius of 74° or less.
- Passage Function



115P

- Available Finishes : Jet Black Marine Grade (JBMG), Oil Rubbed Bronze (OIL), Satin Chrome Marine Grade (SCMG)

Part Number	Description
115P-(finish)	115P Keyless Panic Trim



160P

- Available Finishes : Jet Black Marine Grade (JBMG), Oil Rubbed Bronze (OIL), Satin Chrome Marine Grade (SCMG)

Part Number	Description
160P-(finish)	160P Keyless Panic Trim



285P

- Available Finishes: Antique Brass (AB), Bright Brass (BB), Bright Chrome (BC), Jet Black Marine Grade (JBMG), Oil Rubbed Bronze (OIL), Satin Chrome Marine Grade (SCMG), Satin Nickel (SN), White (WH)

Part Number	Description
285P-(finish)	285P Keyless Panic Trim

PANIC TRIMS



PBDUMED

Pull Handle Entry Trim - Compatible with PB1100, V40 Series Panic Bars



PBLHCL

Lever Handle Clutch Trim - Compatible with PB1100 and V40 Series Panic Bars



PBLHED

Lever Handle Keyed Entry - Compatible with PB1100, V40 Series Panic Bars



PBLHSR

Lever Handle Storeroom - Compatible with PB1100, V40 Series Panic Bars



PBLHPS

Lever Handle Passage Trim - Compatible with PB1100, V40 Series Panic Bars



PBNLED

Night Latch Handleset Trim - Compatible with PB1100 and V40 Series Panic Bars



PBTPED

Thumbpiece Keyed Entry Trim - Compatible with PB1100 and V40 Series Panic Bars



V08BN689 PASSAGE

Detex Panic Trim Passage Lever - Compatible with Detex V40 Panic Bars



V09BN689 STOREROOM

Detex Panic Trim Janitor Lever - Compatible with Detex V40 Panic Bars

TRIM BOXES



Part Number	Description
ED-GB-5B	EDGE Key Box for use with keyed cylinder on EDGE panic shield setups, black
ED-GB-5S	EDGE Key Box for use with keyed cylinder on EDGE panic shield setups, silver



Part Number	Description
ED-GB200-B	EDGE Keyless Trim Gate Box for use with 285P, black
ED-GB200-S	EDGE Keyless Trim Gate Box for use with 285P, silver



Part Number	Description
PSGB5BLACK	Key Box for use with keyed cylinder on standard panic shield setups, black
PSGB5SILVER	Key Box for use with keyed cylinder on standard panic shield setups, silver



Part Number	Description
PSGB100BLACK	Keyless Trim Box for use with 115P/160P, black
PSGB100SILVER	Keyless Trim Box for use with 115P/160P, silver



Part Number	Description
PSGB200BLACK	Keyless Trim Box for use with 285P, black
PSGB200SILVER	Keyless Trim Box for use with 285P, silver



Part Number	Description
PSGBLH BLACK LEVER	Trim Box for use with PBLHPS/PBLHED/PBLHSR, black
PSGBLH LEVER S	Trim Box for use with PBLHPS/PBLHED/PBLHSR, silver



Part Number	Description
GB08GS	Trim Box for use with DETEX V08BN689/V09BN689 Panic Trims

PANIC HARDWARE ACCESSORIES

Product	Description
V-P-TAIL LOCKEY	Tailpiece/Spindle for use with P-Series Lever Locks and Detex V40 Series Panic Bars
V-TAIL - KNOB	Tailpiece/Spindle for use with P-Series Knob Locks and Detex V40 Series Panic Bars
PBSTRIKE KIT	PB1100 Strike Kit
PSCYL	Keyed Rim Cylinder for use with PSGB5 Key Box (1-1/8" Schlage 5 pin)
VCYL	Mortised Cylinder for use with PB Keyed Trims & V40 Alarm (1-1/8" Schlage C 5 pin)



EDGE PANIC SHIELD KITS

- Panic Bar is closer to the strike
- Reduced strike bracket size and protrusion
- Latch protector + jamb stop included

STANDARD PANIC SHIELD KITS

NO PANIC BAR INCLUDED



Part Number	Description
PS40B	Black - Panic Shield, PSSB Strike Bracket
PS40S	Silver - Panic Shield, PSSB Strike Bracket
PS50B	Black - Panic Shield, PSSB Strike Bracket, PSGB5 Key Box, Key Cylinder
PS50S	Silver - Panic Shield, PSSB Strike Bracket, PSGB5 Key Box, Key Cylinder
PS60B	Black - Panic Shield, PSSB Strike Bracket, PSGB200 Gate Box, 285-P Keyless Panic Trim, Max Guard
PS60S	Silver - Panic Shield, PSSB Strike Bracket, PSGB200 Gate Box, 285-P Keyless Panic Trim, Max Guard

EDGE PANIC SHIELD KITS

NO PANIC BAR INCLUDED



Part Number	Description
ED40B	Black - Panic Shield, ED-SB Strike Bracket, Latch Protector, Jamb Stop
ED40S	Silver - Panic Shield, ED-SB Strike Bracket, Latch Protector, Jamb Stop
ED50B	Black - Panic Shield, ED-SB Strike Bracket, ED-GB5 Key Box, Key Cylinder, Latch Protector, Jamb Stop
ED50S	Silver - Panic Shield, ED-SB Strike Bracket, ED-GB5 Key Box, Key Cylinder, Latch Protector, Jamb Stop
ED60B	Black - Panic Shield, ED-SB Strike Bracket, ED-GB200 Gate Box, 285-P Keyless Panic Trim, Latch Protector, Jamb Stop, Max Guard
ED60S	Silver - Panic Shield, ED-SB Strike Bracket, ED-GB200 Gate Box, 285-P Keyless Panic Trim, Latch Protector, Jamb Stop, Max Guard



PS41 Standard Panic Shield Value Kits, PB1100 Panic Bar included

Part Number	Description
PS41B	Black - 24" Panic Shield, PB1100 Panic Bar, PSSB Strike Bracket
PS41S	Silver - 24" Panic Shield, PB1100 Panic Bar, PSSB Strike Bracket

AVAILABLE UPGRADES

- PS41BF Black - 24" Panic Shield, PB1100FR Fire Rated Panic Bar, PSSB Strike Bracket
- PS41BL Black - 24" Panic Shield, PB1142 42" Panic Bar, PSSB Strike Bracket
- PS41BLM Black - 24" Panic Shield, PB1142SS 42" Stainless Steel Panic Bar, PSSB Strike Bracket
- PS41BM Black - 24" Panic Shield, PB1100SS Stainless Steel Panic Bar, PSSB Strike Bracket
- PS41SF Silver - 24" Panic Shield, PB1100FR Fire Rated Panic Bar, PSSB Strike Bracket
- PS41SL Silver - 24" Panic Shield, PB1142 42" Panic Bar, PSSB Strike Bracket
- PS41SLM Silver - 24" Panic Shield, PB1142SS 42" Stainless Steel Panic Bar, PSSB Strike Bracket
- PS41SM Silver - 24" Panic Shield, PB1100SS Stainless Steel Panic Bar, PSSB Strike Bracket



PS51 Standard Panic Shield Safety Kits, PB1100 Panic Bar included

Part Number	Description
PS51B	Black - 24" Panic Shield, PB1100 Panic Bar, PSSB Strike Bracket, PSGB5 Key Box, Key Cylinder
PS51S	Silver - 24" Panic Shield, PB1100 Panic Bar, PSSB Strike Bracket, PSGB5 Key Box, Key Cylinder

AVAILABLE UPGRADES

- PS51BL Black - 24" Panic Shield, PB1142 42" Panic Bar, PSSB Strike Bracket, PSGB5 Key Box, Key Cylinder
- PS51BLM Black - 24" Panic Shield, PB1100SS Stainless Steel Panic Bar, PSSB Strike Bracket, PSGB5 Key Box, Key Cylinder
- PS51BF Black - 24" Panic Shield, PB1100FR Fire Rated Panic Bar, PSSB Strike Bracket, PSGB5 Key Box, Key Cylinder
- PS51BLM Black - 24" Panic Shield, PB1142SS 42" Stainless Steel Panic Bar, PSSB Strike Bracket, PSGB5 Key Box, Key Cylinder
- PS51SL Silver - 24" Panic Shield, PB1142 42" Panic Bar, PSSB Strike Bracket, PSGB5 Key Box, Key Cylinder
- PS51SM Silver - 24" Panic Shield, PB1100SS Stainless Steel Panic Bar, PSSB Strike Bracket, PSGB5 Key Box, Key Cylinder
- PS51SF Silver - 24" Panic Shield, PB1100FR Fire Rated Panic Bar, PSSB Strike Bracket, PSGB5 Key Box, Key Cylinder
- PS51SLM Silver - 24" Panic Shield, PB1142SS 42" Stainless Steel Panic Bar, PSSB Strike Bracket, PSGB5 Key Box, Key Cylinder



PS61 Standard Panic Shield Security Kits, PB1100 Panic Bar included

Part Number	Description
PS61B	Black - 24" Panic Shield, PB1100 Panic Bar, PSSB Strike Bracket, PSGB200 gate box, 285-P Keyless Panic Trim, Max Guard
PS61S	Silver - 24" Panic Shield, PB1100 Panic Bar, PSSB Strike Bracket, PSGB200 gate box, 285-P Keyless Panic Trim, Max Guard

AVAILABLE UPGRADES

- PS61BL Black - 24" Panic Shield, PB1142 42" Panic Bar, PSSB Strike Bracket, PSGB200 Gate Box, 285-P Keyless Panic Trim, Max Guard
- PS61BLM Black - 24" Panic Shield, PB1100SS Stainless Steel Panic Bar, PSSB Strike Bracket, PSGB200 Gate Box, 285-P Keyless Panic Trim, Max Guard
- PS61BF Black - 24" Panic Shield, PB1100FR Fire Rated Panic Bar, PSSB Strike Bracket, PSGB200 Gate Box, 285-P Keyless Panic Trim, Max Guard
- PS61BLM Black - 24" Panic Shield, PB1142SS 42" Stainless Steel Panic Bar, PSSB Strike Bracket, PSGB200 Gate Box, 285-P Keyless Panic Trim, Max Guard
- PS61SL Silver - 24" Panic Shield, PB1142 42" Panic Bar, PSSB Strike Bracket, PSGB200 Gate Box, 285-P Keyless Panic Trim, Max Guard
- PS61SM Silver - 24" Panic Shield, PB1100SS Stainless Steel Panic Bar, PSSB Strike Bracket, PSGB200 Gate Box, 285-P Keyless Panic Trim, Max Guard
- PS61SF Silver - 24" Panic Shield, PB1100FR Fire Rated Panic Bar, PSSB Strike Bracket, PSGB200 Gate Box, 285-P Keyless Panic Trim, Max Guard
- PS61SLM Silver - 24" Panic Shield, PB1142SS 42" Stainless Steel Panic Bar, PSSB Strike Bracket, PSGB200 Gate Box, 285-P Keyless Panic Trim, Max Guard



ED41 EDGE Panic Shield Value Kits, PB1100 Panic Bar included

Part Number	Description
ED41B	Black - 24" Panic Shield, PB1100 Panic Bar, ED-SB Strike Bracket, Latch Protector, Jamb Stop
ED41S	Silver - 24" Panic Shield, PB1100 Panic Bar, ED-SB Strike Bracket, Latch Protector, Jamb Stop

AVAILABLE UPGRADES

ED41BF	Black - 24" Panic Shield, PB1100FR Fire Rated Panic Bar, ED-SB Strike Bracket, Latch Protector, Jamb Stop
ED41BL	Black - 24" Panic Shield, PB1142 42" Panic Bar, ED-SB Strike Bracket, Latch Protector, Jamb Stop
ED41BLM	Black - 24" Panic Shield, PB1142SS 42" Stainless Steel Panic Bar, ED-SB Strike Bracket, Latch Protector, Jamb Stop
ED41BM	Black - 24" Panic Shield, PB1100SS Stainless Steel Panic Bar, ED-SB Strike Bracket, Latch Protector, Jamb Stop
ED41SF	Silver - 24" Panic Shield, PB1100FR Fire Rated Panic Bar, ED-SB Strike Bracket, Latch Protector, Jamb Stop
ED41SL	Silver - 24" Panic Shield, PB1142 42" Panic Bar, ED-SB Strike Bracket, Latch Protector, Jamb Stop
ED41SLM	Silver - 24" Panic Shield, PB1142SS 42" Stainless Steel Panic Bar, ED-SB Strike Bracket, Latch Protector, Jamb Stop
ED41SM	Silver - 24" Panic Shield, PB1100SS Stainless Steel Panic Bar, ED-SB Strike Bracket, Latch Protector, Jamb Stop



ED51 EDGE Panic Shield Safety Kits, PB1100 Panic Bar included

Part Number	Description
ED51B	Black - 24" Panic Shield, PB1100 Panic Bar, ED-SB Strike Bracket, ED-GB5 Key Box, Key Cylinder, Latch Protector, Jamb Stop
ED51S	Silver - 24" Panic Shield, PB1100 Panic Bar, ED-SB Strike Bracket, ED-GB5 Key Box, Key Cylinder, Latch Protector, Jamb Stop

AVAILABLE UPGRADES

ED51BL	Black - 24" Panic Shield, PB1142 42" Panic Bar, ED-SB Strike Bracket, ED-GB5 Key Box, Key Cylinder, Latch Protector, Jamb Stop
ED51BM	Black - 24" Panic Shield, PB1100SS Stainless Steel Panic Bar, ED-SB Strike Bracket, ED-GB5 Key Box, Key Cylinder, Latch Protector, Jamb Stop
ED51BF	Black - 24" Panic Shield, PB1100FR Fire Rated Panic Bar, ED-SB Strike Bracket, ED-GB5 Key Box, Key Cylinder, Latch Protector, Jamb Stop
ED51BLM	Black - 24" Panic Shield, PB1142SS 42" Stainless Steel Panic Bar, ED-SB Strike Bracket, ED-GB5 Key Box, Key Cylinder, Latch Protector, Jamb Stop
ED51SL	Silver - 24" Panic Shield, PB1142 42" Panic Bar, ED-SB Strike Bracket, ED-GB5 Key Box, Key Cylinder, Latch Protector, Jamb Stop
ED51SM	Silver - 24" Panic Shield, PB1100SS Stainless Steel Panic Bar, ED-SB Strike Bracket, ED-GB5 Key Box, Key Cylinder, Latch Protector, Jamb Stop
ED51SF	Silver - 24" Panic Shield, PB1100FR Fire Rated Panic Bar, ED-SB Strike Bracket, ED-GB5 Key Box, Key Cylinder, Latch Protector, Jamb Stop
ED51SLM	Silver - 24" Panic Shield, PB1142SS 42" Stainless Steel Panic Bar, ED-SB Strike Bracket, ED-GB5 Key Box, Key Cylinder, Latch Protector, Jamb Stop



ED61 EDGE Panic Shield Security Kits, PB1100 Panic Bar included

Part Number	Description
ED61B	Black - 24" Panic Shield, PB1100 Panic Bar, ED-SB Strike Bracket, ED-GB200 Gate Box, 285-P Keyless Panic Trim, Latch Protector, Jamb Stop, Max Guard
ED61S	Silver - 24" Panic Shield, PB1100 Panic Bar, ED-SB Strike Bracket, ED-GB200 Gate Box, 285-P Keyless Panic Trim, Latch Protector, Jamb Stop, Max Guard

AVAILABLE UPGRADES

ED61BL	Black - 24" Panic Shield, PB1142 42" Panic Bar, ED-SB Strike Bracket, ED-GB200 Gate Box, 285-P Keyless Panic Trim, Latch Protector, Jamb Stop, Max Guard
ED61BM	Black - 24" Panic Shield, PB1100SS Stainless Steel Panic Bar, ED-SB Strike Bracket, ED-GB200 Gate Box, 285-P Keyless Panic Trim, Latch Protector, Jamb Stop, Max Guard
ED61BF	Black - 24" Panic Shield, PB1100FR Fire Rated Panic Bar, ED-SB Strike Bracket, ED-GB200 Gate Box, 285-P Keyless Panic Trim, Latch Protector, Jamb Stop, Max Guard
ED61BLM	Black - 24" Panic Shield, PB1142SS 42" Stainless Steel Panic Bar, ED-SB Strike Bracket, ED-GB200 Gate Box, 285-P Keyless Panic Trim, Latch Protector, Jamb Stop, Max Guard
ED61SL	Silver - 24" Panic Shield, PB1142 42" Panic Bar, ED-SB Strike Bracket, ED-GB200 Gate Box, 285-P Keyless Panic Trim, Latch Protector, Jamb Stop, Max Guard
ED61SM	Silver - 24" Panic Shield, PB1100SS Stainless Steel Panic Bar, ED-SB Strike Bracket, ED-GB200 Gate Box, 285-P Keyless Panic Trim, Latch Protector, Jamb Stop, Max Guard
ED61SF	Silver - 24" Panic Shield, PB1100FR Fire Rated Panic Bar, ED-SB Strike Bracket, ED-GB200 Gate Box, 285-P Keyless Panic Trim, Latch Protector, Jamb Stop, Max Guard
ED61SLM	Silver - 24" Panic Shield, PB1142SS 42" Stainless Steel Panic Bar, ED-SB Strike Bracket, ED-GB200 Gate Box, 285-P Keyless Panic Trim, Latch Protector, Jamb Stop, Max Guard



PS42 Standard Panic Shield Value Kits, V40 Panic Bar included

Part Number	Description
PS42B	Black - 24" Panic Shield, Detex V-40 Panic Bar, PSSB Strike Bracket
PS42S	Silver - 24" Panic Shield, Detex V-40 Panic Bar, PSSB Strike Bracket

AVAILABLE UPGRADES

- PS42BL Black - 24" Panic Shield, Detex V-40x48 42" Panic Bar, PSSB Strike Bracket
- PS42BW Black - 24" Panic Shield, Detex V-40xW Weatherized Panic Bar, PSSB Strike Bracket
- PS42B7 Black - 24" Panic Shield, Detex V-40x711 Black Panic Bar, PSSB Strike Bracket
- PS42BL7 Black - 24" Panic Shield, Detex V-40x711x48 42" Black Panic Bar, PSSB Strike Bracket
- PS42SL Silver - 24" Panic Shield, Detex V-40x48 42" Panic Bar, PSSB Strike Bracket
- PS42SW Silver - 24" Panic Shield, Detex V-40xW Weatherized Panic Bar, PSSB Strike Bracket
- PS42S7 Silver - 24" Panic Shield, Detex V-40x711 Black Panic Bar, PSSB Strike Bracket
- PS42SL7 Silver - 24" Panic Shield, Detex V-40x711x48 42" Black Panic Bar, PSSB Strike Bracket



PS52 Standard Panic Shield Safety Kits, V40 Panic Bar included

Part Number	Description
PS52B	Black - 24" Panic Shield, Detex V-40 Panic Bar, PSSB Strike Bracket, PSGB5 Key Box, Key Cylinder
PS52S	Silver - 24" Panic Shield, Detex V-40 Panic Bar, PSSB Strike Bracket, PSGB5 Key Box, Key Cylinder

AVAILABLE UPGRADES

- PS52B7 Black - 24" Panic Shield, Detex V40x711 Black Panic Bar, PSSB Strike Bracket, PSGB5 Key Box, Key Cylinder
- PS52BL Black - 24" Panic Shield, Detex V-40x48 42" Panic Bar, PSSB Strike Bracket, PSGB5 Key Box, Key Cylinder
- PS52BW Black - 24" Panic Shield, Detex V-40xW Weatherized Panic Bar, PSSB Strike Bracket, PSGB5 Key Box, Key Cylinder
- PS52BL7 Black - 24" Panic Shield, Detex V-40x711x48 42" Black Panic Bar, PSSB Strike Bracket, PSGB5 Key Box, Key Cylinder
- PS52SL Silver - 24" Panic Shield, Detex V-40x48 42" Panic Bar, PSSB Strike Bracket, PSGB5 Key Box, Key Cylinder
- PS52SW Silver - 24" Panic Shield, Detex V-40xW Weatherized Panic Bar, PSSB Strike Bracket, PSGB5 Key Box, Key Cylinder
- PS52S7 Silver - 24" Panic Shield, Detex V40x711 Black Panic Bar, PSSB Strike Bracket, PSGB5 Key Box, Key Cylinder
- PS52SL7 Silver - 24" Panic Shield, Detex V-40x711x48 42" Black Panic Bar, PSSB Strike Bracket, PSGB5 Key Box, Key Cylinder



PS62 Standard Panic Shield Security Kits, V40 Panic Bar included

Part Number	Description
PS62B	Black - 24" Panic Shield, Detex V-40 Panic Bar, PSSB Strike Bracket, PSGB200 Gate Box, 285-P Keyless Panic Trim, Max Guard
PS62S	Silver - 24" Panic Shield, Detex V-40 Panic Bar, PSSB Strike Bracket, PSGB200 Gate Box, 285-P Keyless Panic Trim, Max Guard

AVAILABLE UPGRADES

- PS62BL Black - 24" Panic Shield, Detex V-40x48 42" Panic Bar, PSSB Strike Bracket, PSGB200 Gate Box, 285-P Keyless Panic Trim, Max Guard
- PS62BW Black - 24" Panic Shield, Detex V-40xW Weatherized Panic Bar, PSSB Strike Bracket, PSGB200 Gate Box, 285-P Keyless Panic Trim, Max Guard
- PS62B7 Black - 24" Panic Shield, Detex V-40x711 Black Panic Bar, PSSB Strike Bracket, PSGB200 Gate Box, 285-P Keyless Panic Trim, Max Guard
- PS62BL7 Black - 24" Panic Shield, Detex V-40x711x48 42" Black Panic Bar, PSSB Strike Bracket, PSGB200 Gate Box, 285-P Keyless Panic Trim, Max Guard
- PS62SL Silver - 24" Panic Shield, Detex V-40x48 42" Panic Bar, PSSB Strike Bracket, PSGB200 Gate Box, 285-P Keyless Panic Trim, Max Guard
- PS62SW Silver - 24" Panic Shield, Detex V-40xW Weatherized Panic Bar, PSSB Strike Bracket, PSGB200 Gate Box, 285-P Keyless Panic Trim, Max Guard
- PS62S7 Silver - 24" Panic Shield, Detex V-40x711 Black Panic Bar, PSSB Strike Bracket, PSGB200 Gate Box, 285-P Keyless Panic Trim, Max Guard
- PS62SL7 Silver - 24" Panic Shield, Detex V-40x711x48 42" Black Panic Bar, PSSB Strike Bracket, PSGB200 Gate Box, 285-P Keyless Panic Trim, Max Guard



ED42 EDGE Panic Shield Value Kits, V40 Panic Bar included

Part Number	Description
ED42B	Black - 24" Panic Shield, Detex V-40 Panic Bar, ED-SB Strike Bracket, Latch Protector, Jamb Stop
ED42S	Silver - 24" Panic Shield, Detex V-40 Panic Bar, ED-SB Strike Bracket, Latch Protector, Jamb Stop

AVAILABLE UPGRADES

ED42BL	Black - 24" Panic Shield, Detex V-40x48 42" Panic Bar, ED-SB Strike Bracket, Latch Protector, Jamb Stop
ED42BW	Black - 24" Panic Shield, Detex V-40xW Weatherized Panic Bar, ED-SB Strike Bracket, Latch Protector, Jamb Stop
ED42B7	Black - 24" Panic Shield, Detex V-40x711 Black Panic Bar, ED-SB Strike Bracket, Latch Protector, Jamb Stop
ED42BL7	Black - 24" Panic Shield, Detex V-40x711x48 42" Black Panic Bar, ED-SB Strike Bracket, Latch Protector, Jamb Stop
ED42SL	Silver - 24" Panic Shield, Detex V-40x48 42" Panic Bar, ED-SB Strike Bracket, Latch Protector, Jamb Stop
ED42SW	Silver - 24" Panic Shield, Detex V-40xW Weatherized Panic Bar, ED-SB Strike Bracket, Latch Protector, Jamb Stop
ED42S7	Silver - 24" Panic Shield, Detex V-40x711 Black Panic Bar, ED-SB Strike Bracket, Latch Protector, Jamb Stop
ED42SL7	Silver - 24" Panic Shield, Detex V-40x711x48 42" Black Panic Bar, ED-SB Strike Bracket, Latch Protector, Jamb Stop



ED52 EDGE Panic Shield Safety Kits, V40 Panic Bar included

Part Number	Description
PS52B	Black - 24" Panic Shield, Detex V-40 Panic Bar, ED-SB Strike Bracket, ED-GB5 Key Box, Key Cylinder
PS52S	Silver - 24" Panic Shield, Detex V-40 Panic Bar, ED-SB Strike Bracket, ED-GB5 Key Box, Key Cylinder

AVAILABLE UPGRADES

PS52B7	Black - 24" Panic Shield, Detex V40x711 Black Panic Bar, ED-SB Strike Bracket, ED-GB5 Key Box, Key Cylinder
PS52BL	Black - 24" Panic Shield, Detex V-40x48 42" Panic Bar, ED-SB Strike Bracket, ED-GB5 Key Box, Key Cylinder
PS52BW	Black - 24" Panic Shield, Detex V-40xW Weatherized Panic Bar, ED-SB Strike Bracket, ED-GB5 Key Box, Key Cylinder
PS52BL7	Black - 24" Panic Shield, Detex V-40x711x48 42" Black Panic Bar, ED-SB Strike Bracket, ED-GB5 Key Box, Key Cylinder
PS52SL	Silver - 24" Panic Shield, Detex V-40x48 42" Panic Bar, ED-SB Strike Bracket, ED-GB5 Key Box, Key Cylinder
PS52SW	Silver - 24" Panic Shield, Detex V-40xW Weatherized Panic Bar, ED-SB Strike Bracket, ED-GB5 Key Box, Key Cylinder
PS52S7	Silver - 24" Panic Shield, Detex V40x711 Black Panic Bar, ED-SB Strike Bracket, ED-GB5 Key Box, Key Cylinder
PS52SL7	Silver - 24" Panic Shield, Detex V-40x711x48 42" Black Panic Bar, ED-SB Strike Bracket, ED-GB5 Key Box, Key Cylinder



ED62 EDGE Panic Shield Security Kits, V40 Panic Bar included

Part Number	Description
PS62B	Black - 24" Panic Shield, Detex V-40 Panic Bar, ED-SB Strike Bracket, EDGB200 Gate Box, 285-P Keyless Panic Trim, Max Guard
PS62S	Silver - 24" Panic Shield, Detex V-40 Panic Bar, ED-SB Strike Bracket, EDGB200 Gate Box, 285-P Keyless Panic Trim, Max Guard

AVAILABLE UPGRADES

PS62BL	Black - 24" Panic Shield, Detex V-40x48 42" Panic Bar, ED-SB Strike Bracket, EDGB200 Gate Box, 285-P Keyless Panic Trim, Max Guard
PS62BW	Black - 24" Panic Shield, Detex V-40xW Weatherized Panic Bar, ED-SB Strike Bracket, EDGB200 Gate Box, 285-P Keyless Panic Trim, Max Guard
PS62B7	Black - 24" Panic Shield, Detex V-40x711 Black Panic Bar, ED-SB Strike Bracket, EDGB200 Gate Box, 285-P Keyless Panic Trim, Max Guard
PS62BL7	Black - 24" Panic Shield, Detex V-40x711x48 42" Black Panic Bar, ED-SB Strike Bracket, EDGB200 Gate Box, 285-P Keyless Panic Trim, Max Guard
PS62SL	Silver - 24" Panic Shield, Detex V-40x48 42" Panic Bar, ED-SB Strike Bracket, EDGB200 Gate Box, 285-P Keyless Panic Trim, Max Guard
PS62SW	Silver - 24" Panic Shield, Detex V-40xW Weatherized Panic Bar, ED-SB Strike Bracket, EDGB200 Gate Box, 285-P Keyless Panic Trim, Max Guard
PS62S7	Silver - 24" Panic Shield, Detex V-40x711 Black Panic Bar, ED-SB Strike Bracket, EDGB200 Gate Box, 285-P Keyless Panic Trim, Max Guard
PS62SL7	Silver - 24" Panic Shield, Detex V-40x711x48 42" Black Panic Bar, ED-SB Strike Bracket, EDGB200 Gate Box, 285-P Keyless Panic Trim, Max Guard



PS43 Standard Panic Shield Value Kits, V40 Alarm Bar included

Part Number	Description
PS43B	Black - 24" Panic Shield, Detex V-40xEBxW Weatherized Alarm Panic Bar, PSSB Strike Bracket
PS43S	Silver - 24" Panic Shield, Detex V-40 EBxW Weatherized Alarm Panic Bar, PSSB Strike Bracket

AVAILABLE UPGRADES

- PS43BL Black - 24" Panic Shield, Detex V-40xEBxWx48 42" Weatherized Alarm Panic Bar, PSSB Strike Bracket
- PS43B7 Black - 24" Panic Shield, Detex V-40xEBxWx711 Black Weatherized Alarm Panic Bar, PSSB Strike Bracket
- PS43BL7 Black - 24" Panic Shield, Detex V-40xEBxWx711x48 42" Black Weatherized Alarm Panic Bar, PSSB Strike Bracket
- PS43SL Silver - 24" Panic Shield, Detex V-40xEBxWx48 42" Weatherized Alarm Panic Bar, PSSB Strike Bracket
- PS43S7 Silver - 24" Panic Shield, Detex V-40xEBxWx711 Black Weatherized Alarm Panic Bar, PSSB Strike Bracket
- PS43SL7 Silver - 24" Panic Shield, Detex V-40xEBxWx711x48 42" Black Weatherized Alarm Panic Bar, PSSB Strike Bracket



PS53 Standard Panic Shield Safety Kits, V40 Alarm Bar included

Part Number	Description
PS53B	Black - 24" Panic Shield, Detex V-40xEBxW Weatherized Alarm Panic Bar, PSSB Strike Bracket, PSGB5 Key Box, Key Cylinder
PS53S	Silver - 24" Panic Shield, Detex V-40xEBxW Weatherized Alarm Panic Bar, PSSB Strike Bracket, PSGB5 Key Box, Key Cylinder

AVAILABLE UPGRADES

- PS53BL Black - 24" Panic Shield, Detex V-40xEBxWx48 42" Weatherized Alarm Panic Bar, PSSB Strike Bracket, PSGB5 Key Box, Key Cylinder
- PS53B7 Black - 24" Panic Shield, Detex V-40xEBxWx711 Black Weatherized Alarm Panic Bar, PSSB Strike Bracket, PSGB5 Key Box, Key Cylinder
- PS53BL7 Black - 24" Panic Shield, Detex V-40xEBxWx711x48 42" Black Weatherized Alarm Panic Bar, PSSB Strike Bracket, PSGB5 Key Box, Key Cylinder
- PS53SL Silver - 24" Panic Shield, Detex V-40xEBxWx48 42" Weatherized Alarm Panic Bar, PSSB Strike Bracket, PSGB5 Key Box, Key Cylinder
- PS53S7 Silver - 24" Panic Shield, Detex V-40xEBxWx711 Black Weatherized Alarm Panic Bar, PSSB Strike Bracket, PSGB5 Key Box, Key Cylinder
- PS53SL7 Silver - 24" Panic Shield, Detex V-40xEBxWx711x48 42" Black Weatherized Alarm Panic Bar, PSSB Strike Bracket, PSGB5 Key Box, Key Cylinder



PS63 Standard Panic Shield Security Kits, V40 Alarm Bar included

Part Number	Description
PS63B	Black - 24" Panic Shield, Detex V-40xEBxW Weatherized Alarm Panic Bar, PSSB Strike Bracket, PSGB200 Gate Box, 285-P Keyless Panic Trim, Max Guard
PS63S	Silver - 24" Panic Shield, Detex V-40xEBxW Weatherized Alarm Panic Bar, PSSB Strike Bracket, PSGB200 Gate Box, 285-P Keyless Panic Trim, Max Guard

AVAILABLE UPGRADES

- PS63BL Black - 24" Panic Shield, Detex V-40xEBxWx48 42" Weatherized Alarm Panic Bar, PSSB Strike Bracket, PSGB200 Gate Box, 285-P Keyless Panic Trim, Max Guard
- PS63B7 Black - 24" Panic Shield, Detex V-40xEBxWx711 Black Weatherized Alarm Panic Bar, PSSB Strike Bracket, PSGB200 Gate Box, 285-P Keyless Panic Trim, Max Guard
- PS63BL7 Black - 24" Panic Shield, Detex V-40xEBxWx711x48 42" Black Weatherized Alarm Panic Bar, PSSB Strike Bracket, PSGB200 Gate Box, 285-P Keyless Panic Trim, Max Guard
- PS63SL Silver - 24" Panic Shield, Detex V-40xEBxWx48 42" Weatherized Alarm Panic Bar, PSSB Strike Bracket, PSGB200 Gate Box, 285-P Keyless Panic Trim, Max Guard
- PS63S7 Silver - 24" Panic Shield, Detex V-40xEBxWx711 Black Weatherized Alarm Panic Bar, PSSB Strike Bracket, PSGB200 Gate Box, 285-P Keyless Panic Trim, Max Guard
- PS63SL7 Silver - 24" Panic Shield, Detex V-40xEBxWx711x48 42" Black Weatherized Alarm Panic Bar, PSSB Strike Bracket, PSGB200 Gate Box, 285-P Keyless Panic Trim, Max Guard



ED43 EDGE Panic Shield Value Kits, V40 Alarm Bar included

Part Number	Description
ED43B	Black - 24" Panic Shield, Detex V-40xEBxW Weatherized Alarm Panic Bar, ED-SB Strike Bracket, Latch Protector, Jamb Stop
ED43S	Silver - 24" Panic Shield, Detex V-40xEBxW Weatherized Alarm Panic Bar, ED-SB Strike Bracket, Latch Protector, Jamb Stop

AVAILABLE UPGRADES

ED43BL	Black - 24" Panic Shield, Detex V-40xEBxWx48 42" Weatherized Alarm Panic Bar, ED-SB Strike Bracket, Latch Protector, Jamb Stop
ED43B7	Black - 24" Panic Shield, Detex V-40xEBxW711 Black Weatherized Alarm Panic Bar, ED-SB Strike Bracket, Latch Protector, Jamb Stop
ED43BL7	Black - 24" Panic Shield, Detex V-40xEBxW711x48 42" Black Weatherized Alarm Panic Bar, ED-SB Strike Bracket, Latch Protector, Jamb Stop
ED43SL	Silver - 24" Panic Shield, Detex V-40xEBxWx48 42" Weatherized Alarm Panic Bar, ED-SB Strike Bracket, Latch Protector, Jamb Stop
ED43S7	Silver - 24" Panic Shield, Detex V-40xEBxW711 Black Weatherized Alarm Panic Bar, ED-SB Strike Bracket, Latch Protector, Jamb Stop
ED43SL7	Silver - 24" Panic Shield, Detex V-40xEBxW711x48 42" Black Weatherized Alarm Panic Bar, ED-SB Strike Bracket, Latch Protector, Jamb Stop



ED53 EDGE Panic Shield Safety Kits, V40 Alarm Bar included

Part Number	Description
ED53B	Black - 24" Panic Shield, Detex V-40xEBxW Weatherized Alarm Panic Bar, ED-SB Strike Bracket, ED-GB5 Key Box, Key Cylinder, Latch Protector, Jamb Stop
ED53S	Silver - 24" Panic Shield, Detex V-40xEBxW Weatherized Alarm Panic Bar, ED-SB Strike Bracket, ED-GB5 Key Box, Key Cylinder, Latch Protector, Jamb Stop

AVAILABLE UPGRADES

ED53BL	Black - 24" Panic Shield, Detex V-40xEBxWx48 42" Weatherized Alarm Panic Bar, ED-SB Strike Bracket, ED-GB5 Key Box, Key Cylinder, Latch Protector, Jamb Stop
ED53B7	Black - 24" Panic Shield, Detex V-40xEBxWx711 Black Weatherized Alarm Panic Bar, ED-SB Strike Bracket, ED-GB5 Key Box, Key Cylinder, Latch Protector, Jamb Stop
ED53BL7	Black - 24" Panic Shield, Detex V-40xEBxWx711x48 42" Black Weatherized Alarm Panic Bar, ED-SB Strike Bracket, ED-GB5 Key Box, Key Cylinder, Latch Protector, Jamb Stop
ED53SL	Silver - 24" Panic Shield, Detex V-40xEBxWx48 42" Weatherized Alarm Panic Bar, ED-SB Strike Bracket, ED-GB5 Key Box, Key Cylinder, Latch Protector, Jamb Stop
ED53S7	Silver - 24" Panic Shield, Detex V-40xEBxWx711 Black Weatherized Alarm Panic Bar, ED-SB Strike Bracket, ED-GB5 Key Box, Key Cylinder, Latch Protector, Jamb Stop
ED53SL7	Silver - 24" Panic Shield, Detex V-40xEBxWx711x48 42" Black Weatherized Alarm Panic Bar, ED-SB Strike Bracket, ED-GB5 Key Box, Key Cylinder, Latch Protector, Jamb Stop



ED63 EDGE Panic Shield Security Kits, V40 Alarm Bar included

Part Number	Description
ED63B	Black - 24" Panic Shield, Detex V-40xEBxW Weatherized Alarm Panic Bar, ED-SB Strike Bracket, ED-GB200 Gate Box, 285-P Keyless Panic Trim, Latch Protector, Jamb Stop, Max Guard
ED63S	Silver - 24" Panic Shield, Detex V-40xEBxW Weatherized Alarm Panic Bar, ED-SB Strike Bracket, ED-GB200 Gate Box, 285-P Keyless Panic Trim, Latch Protector, Jamb Stop, Max Guard

AVAILABLE UPGRADES

ED63BL	Black - 24" Panic Shield, Detex V-40xEBxWx48 42" Weatherized Alarm Panic Bar, ED-SB Strike Bracket, ED-GB200 Gate Box, 285-P Keyless Panic Trim, Latch Protector, Jamb Stop, Max Guard
ED63B7	Black - 24" Panic Shield, Detex V-40xEBxWx711 Black Weatherized Alarm Panic Bar, ED-SB Strike Bracket, ED-GB200 Gate Box, 285-P Keyless Panic Trim, Latch Protector, Jamb Stop, Max Guard
ED63BL7	Black - 24" Panic Shield, Detex V-40xEBxWx711x48 42" Black Weatherized Alarm Panic Bar, ED-SB Strike Bracket, ED-GB200 Gate Box, 285-P Keyless Panic Trim, Latch Protector, Jamb Stop, Max Guard
ED63SL	Silver - 24" Panic Shield, Detex V-40xEBxWx48 42" Weatherized Alarm Panic Bar, ED-SB Strike Bracket, ED-GB200 Gate Box, 285-P Keyless Panic Trim, Latch Protector, Jamb Stop, Max Guard
ED63S7	Silver - 24" Panic Shield, Detex V-40xEBxWx711 Black Weatherized Alarm Panic Bar, ED-SB Strike Bracket, ED-GB200 Gate Box, 285-P Keyless Panic Trim, Latch Protector, Jamb Stop, Max Guard
ED63SL7	Silver - 24" Panic Shield, Detex V-40xEBxWx711x48 42" Black Weatherized Alarm Panic Bar, ED-SB Strike Bracket, ED-GB200 Gate Box, 285-P Keyless Panic Trim, Latch Protector, Jamb Stop, Max Guard

PANIC SHIELD KITS

Contents of kits are indicated by **x** below. See "How to Order Panic Shield Kit" for available panic bar upgrades.

STANDARD KITS - lockeyusa.com/standard-kits

Order #	Value Safety Security	24" Shield	PB1100	V40	V40xEBxW	Strike Bracket	Key Box	Keyed Cylinder	Keyless Lock Trim Box	285P Keyless Trim	Max Guard	LP	Jamb Stop
PS40	Value	x				x							
PS41	Value	x	x			x							
PS42	Value	x		x		x							
PS43	Value	x			x	x							
PS50	Safety	x				x	x	x					
PS51	Safety	x	x			x	x	x					
PS52	Safety	x		x		x	x	x					
PS53	Safety	x			x	x	x	x					
PS60	Security	x				x			x	x	x		
PS61	Security	x	x			x			x	x	x		
PS62	Security	x		x		x			x	x	x		
PS63	Security	x			x	x			x	x	x		

EDGE KITS - lockeyusa.com/edge-kits

Order #	Value Safety Security	24" Shield	PB1100	V40	V40xEBxW	Strike Bracket	Key Box	Keyed Cylinder	Keyless Lock Trim Box	285P Keyless Trim	Max Guard	LP	Jamb Stop
ED40	Value	x				x						x	x
ED41	Value	x	x			x						x	x
ED42	Value	x		x		x						x	x
ED43	Value	x			x	x						x	x
ED50	Safety	x				x	x	x				x	x
ED51	Safety	x	x			x	x	x				x	x
ED52	Safety	x		x		x	x	x				x	x
ED53	Safety	x			x	x	x	x				x	x
ED60	Security	x				x			x	x	x	x	x
ED61	Security	x	x			x			x	x	x	x	x
ED62	Security	x		x		x			x	x	x	x	x
ED63	Security	x			x	x			x	x	x	x	x



PERIMETER SECURITY AND GATE HARDWARE.

When your project calls for an emergency exit solution, think of LockeyUSA™. Limit access to an area and guarantee safe and free egress with our line of perimeter security and gate hardware products. Our panic shields, exit devices, and panic trims are easy to install and made to last.



SCAN HERE

LOCKEY
USA

lockeyusa.com

ELECTRONIC LOCKS



LOCKEY
USA™

ELECTRONIC LOCKS

- Battery-powered electronic lock
- Remote capable (1 included, up to 5 capable)
- Up to 6 user codes, 4-10 digits in length
- Key Override (Schlage keyway)
- Auto-locking function



E915 Electronic Deadbolt with Remote Control

Part Number	Description
E915-(finish)	Electronic Deadbolt with Remote Control

Available Finishes : Antique Brass (AB), Bright Brass (BB), Satin Nickel (SN), Antique/Oil Rubbed Bronze (OIL)

Dimensions & Specs : EXTERIOR DIMENSIONS: 5-1/8" L X 3-1/8" W X 1-3/8" D, INTERIOR DIMENSIONS: 7-1/4" L X 2-7/8" W X 1-3/4" D, DOOR THICKNESS: 1-3/8" TO 1-3/4", MATERIAL: STAINLESS STEEL, LATCH: ADJUSTABLE, CYLINDER: 5 PIN SCHLAGE KEYWAY, POWER: 4 AA ALKALINE BATTERIES, KEYS INCLUDED: 2, WEATHER RESISTANT EXTERIOR LOCK BODY, INSIDE LOCK BODY FOR INTERIOR USE ONLY



E995 E995 Electronic Lever with Remote Control

Part Number	Description
E995-(finish)	Electronic Lever with Remote Control

Available Finishes : Antique Brass (AB), Bright Brass (BB), Satin Nickel (SN), Antique/Oil Rubbed Bronze (OIL)

Dimensions & Specs : EXTERIOR DIMENSIONS: 5-1/8" L X 3-1/8" W X 2-5/8" D, INTERIOR DIMENSIONS: 7-1/2" L X 2-7/8" W X 3-3/8" D, DOOR THICKNESS: 1-3/8" TO 1-3/4", MATERIAL: STAINLESS STEEL, LATCH: ADJUSTABLE, CYLINDER: 5 PIN SCHLAGE KEYWAY, POWER: 4 AA ALKALINE BATTERIES, KEYS INCLUDED: 2, WEATHER RESISTANT EXTERIOR LOCK BODY, INSIDE LOCK BODY FOR INTERIOR USE ONLY



EREMOTE

- Remote control for use with E910*, E915, E930*, E985*, E995
- *discontinued

Part Number	Description
E-REMOTE	Remote control



FASTENERS AND PNEUMATICS

Exterior Screws | Building Accessories | RED System™





Grip-Rite

Grip-Rite

Grip-Rite

Grip-Rite

D
NAILS
PRO PACK

HANGER NAILS
PRO PACK

NAILS
COLLATED

15°
Wipe
Exterior
Substrate

GRT



EXTERIOR SCREWS

Structural Screws, MAX Stainless, Trim Head & Coated



PrimeGuard MAX® Stainless Exterior Screws

When nothing but the best will do, Grip-Rite MAX Stainless screws are the preferred premium exterior construction fastener on jobsites – especially those located in areas with high humidity, around pool areas or near the coasts. Grip-Rite 305 and 316 grade stainless steel screws are ideal for fastening decking, siding, roofing, finish and trim and are the best choice for use in cedar and redwood construction. Deep cut threads and T15-30 star drive heads are standard on all Grip-Rite MAX Stainless Exterior Screws, increasing holding power and quick engagement for a solid connection.



PrimeGuard Plus® Exterior Coated Screws & Trim Head Screws

Grip-Rite Exterior Coated Star Drive and Trim Head screws are engineered with our exclusive PrimeGuard Plus premium coating – guaranteed against rust and corrosion to prolong the beauty and durability of decks, siding, fencing, railing, and other outdoor projects. Grip-Rite Exterior Screws feature T25-T30 star drive heads to reduce cam outs when driving into your outdoor project. Our T-20 star drive Exterior Trim Head Screws are the perfect solution for railing, siding, or anywhere a thinner shank and smaller head are desired. Type 17 point tips on both screws reduce the need to pre-drill and help to keep the material from splitting. Coarse threading pulls the substrates together for a solid, tight connection.



Grip-Rite® Ninja™ Hidden Deck Clip

The Grip-Rite Ninja Hidden Deck Clip is your time-saving solution for grooved deck board installation. Take the guesswork out of deck board spacing with one clip. No more frustration with clips falling out of the groove and onto the ground. The compression fit levers hold the clip in position and evenly space the deck boards making installation quick and easy. Simply insert the clips into the board at each joist, slide the next deck board in place, and fasten the PrimeGuard Max® coated stainless-steel screws.



Grip-Rite® Deckforce™ Exterior Screws

Grip-Rite DeckForce exterior screws are THE premium choice for deck and fence installers using wood, composite, or PVC materials. Using innovative weather protective nanotechnology, DeckForce exterior screws are reinforced with corrosionresistant protection with PrimeGuard® Nano coating. Finish projects faster and with ease with expertly engineered DeckForce exterior screws from the brand you know and trust.



NEW – Grip-Rite PrimeGuard MAX STAINLESS
Available in clamshells, 1lb., 5lb., 25lb. and bulk packages



Grip-Rite Exterior Trim Head screws feature a T20 star drive trim head suited to materials used in exterior finish work.

Grip-Rite PrimeGuard Plus® Exterior Coated and Trim Head Screws Available in clamshells, 1lb., 5lb., 10lb., 25lb., and bulk packaging



Grip-Rite DeckForce Exterior Screws with PrimeGuard® Nano coating
Available in 1lb., 5lb., 10lb., 25lb. and bulk packages



BUILDING ACCESSORIES

Bags & Blades

Blades

Carbide: Designed to cut heavy nail-embedded wood, the offset carbide tips reduce tear out and thin kerf blade offers fast, smooth cuts.



GR71424TP
Carbide Blade



PrimeGuard MAX® Stainless Exterior Screws

MAXS1588DS3055	1-5/8 x 8 DECK SCREW T17 ST20 305 5LB
MAXS28DS3055	2 X 8 DECK SCREW T17 ST20 305 5LB
MAXS21210DS3055	2-1/2 x 10 DECK SCREW T17 ST25 305 5LB
MAXS310DS3055	3 x 10 DECK SCREW T17 ST25 305 5LB



NEW! Ninja™ Hidden Deck Clip

GRNJC31650	50 SQ FT BOX, 90 clips with color-coated stainless fastener
------------	---



PrimeGuard Plus® Exterior Coated Screws

LP212STBK	2-1/2" x 9 PGP EXT SCR STAR DR GREEN 25LB BK
LP3STBK	3" x 9 PGP EXT SCR STAR DR GREEN 25LB BK
LP312STBK	3-1/2" x 10 PGP EXT SCR STAR DR GREEN 25LB BK
LP4STBK	4" x 10 PGP EXT SCR STAR DR GREEN 25LB BK
LP5STBK	5" x 10 PGP EXT SCR STAR DR GREEN 25LB BK
LP6STBK	6" x 10 PGP EXT SCR STAR DR GREEN 25LB BK
LP212STTBK	2-1/2" x 9 PGP EXT SCR STAR DR TAN 25LB BK
LP3STTBK	3" x 9 PGP EXT SCR STAR DR TAN 25LB BK
LP312STTBK	3-1/2" x 10 PGP EXT SCR STAR DR TAN 25LB BK
LP4STTBK	4" x 10 PGP EXT SCR STAR DR TAN 25LB BK



Deckforce™ Exterior Screws

GRDF114STGD5	1-1/4" EXTERIOR WOOD SCREW BUCKET 5LB
GRDF158STGD5	1-5/8" EXTERIOR WOOD SCREW BUCKET 5LB
GRDF2STGD5	2" EXTERIOR WOOD SCREW BUCKET 5LB
GRDF212STGD5	2-1/2" EXTERIOR WOOD SCREW BUCKET 5LB
GRDF3STGD5	3" EXTERIOR WOOD SCREW BUCKET 5LB
GRDF312STGD5	3-1/2" EXTERIOR WOOD SCREW BUCKET 5LB



Blades

GR71424TP	GR 7.25" 24T PREMIUM CARBIDE BLADE
-----------	------------------------------------



Unmistakably bold, the Grip-Rite RED System features tools, compressors, compressors and fasteners pros demand when they are looking for quality and value from a brand they know and trust. From framing and roofing to fencing and siding the RED System has everything needed to get the job done right!

COIL FRAMING NAILER GRTCN90

The Grip-Rite® GRTCN90 coil framing nailer is durable yet lightweight, weighing in at only 6.6 pounds. The selectable trigger allows workers to choose between bump and sequential fire. A rotating belt hook and durable molded rubber grip allow for comfort and ease of use.



21° FRAMING NAILER GRTFR83

One of the most durable, yet lightweight framers on the market. Well balanced and weighing only 6.9 lbs., the GRTFR83 dramatically reduces user fatigue and easily fits between 16" OC studs. Exclusive to Grip-Rite®, it features "True Drive" Technology, which actually recycles a portion of the air after each shot and reduces the amount of air needed for the next nail.



0° Fencing & Siding Nailer GRTCS250Z

The Grip-Rite® RED System™ GRTCS250Z coil nailer is designed with the professional contractor in mind. The tool is equipped with a 360° tool-free air exhaust, rotating belt hook and a durable molded rubber comfort grip. A no-mar pad protects work surfaces from damage.



Mini Palm Nailer GRTMP16

The small but powerful GRTMP16 mini palm nailer will reach almost anywhere and drives up to most 3-1/2" 16D nails. It features a magnetic insert in the nose to hold the fastener in place and allow users a free hand while working.



15° Coil Siding & Fencing Nailer GRTCS250

GRTCS250 features a lightweight and balanced design and selectable firing power to handle your toughest jobs. This tool is loaded with features – a wire debris shield to protect against flying material and an included no mar pad to protect work surfaces....not to mention the 360 air exhaust, rotating belt hook and tool free depth adjustment.



4 Gallon Compressor GR2540LR

GR2540LR features a low 1725 RPM motor that increases the life of the compressor and dramatically reduces the noise level compared to similar 3450 RPM units. It only draws 12-Amps at start up which means no more tripped (blown) breakers. The extending pull handle and 10" No-Flat tires add to the versatility and functionality of this unique unit.





15° Coil Nails

GRC4R80DHG	15° WIRE 1-1/2" x .080 HG RING 3M
GRC5R90DG3	15° WIRE 1-3/4" x .092 EG RING 3.6M
GRC5R90DHG	15° WIRE 1-3/4" x .092 HG RING 3M
GRC6R90DG	15° WIRE 2" x .092 EG RING 3M
GRC6R90DHG	15° WIRE 2" x .092 HG RING 3M
GRC7P90DHG	15° WIRE 2-3/16" x .092 HG PLAIN 3M
GRC7R90DHG	15° WIRE 2-3/16" x .092 HG RING 3M
GRC8R90DHG	15° WIRE 2-1/2" x .092 HG RING 3M



0° Coil Nails

GR149A	0° PLASTIC 1-7/8" x .099 ALUM SCREW 9M
GR151HG	0° PLASTIC 1-7/8" x .092 HG RING 9M



Stainless Steel Collated Nails

MAXC62816	1-1/2" x .090 15D W RS WOOD SID 304 3.6M
MAXC62818	1-3/4" x .090 15D W RS WOOD SID 304 3.6M
MAXC62820	2" x .090 15D W RS FBRCMT/WOOD SDG 304 3.6M



21° Plastic Strip Collated Nails

GR08RHG	21° PLASTIC 2-3/8" x .113 HG RING 5M
GR08RHG1M	21° PLASTIC 2-3/8" x .113 HG RING 1M
GR09HG	21° PLASTIC 2-3/8" x .113 HG PLAIN 5M
GR09HG1M	21° PLASTIC 2-3/8" x .113 HG PLAIN 1M
GR408HG	21° PLASTIC 3" x .120 HG RING 4M
GR408HG1M	21° PLASTIC 3" x .120 HG RING 1M
GR033HG	21° PLASTIC 3" x .131 HG SMOOTH 4M



Air Compressor Hoses - Polyurethane

GRPUR14100C	GR PU RED HOSE 1/4" x 100' W/COUPLER
GRPUR38100C	GR PU RED HOSE 3/8" x 100' W/COUPLER

Grip-Rite® Tools

GRTCS250	GR 2-1/2" COIL SIDING NAILER WIRE/PLASTIC
GRTCS250Z	GR 0° 2-1/2" COIL SIDING NAILER PLASTIC
GRTCN90	GR 3-1/2" COIL FRAMING NAILER WIRE/PLASTIC
GRTFR83	GR 21° 3-1/4" RH SHORT BODY FRAMING NAILER
GRTMP16	GR 16D MINI PALM NAILER



4 Gallon Ultra Quiet Compressor

GR2540LR	GR COMP 1725 RPM 2.5HP 4 GAL W/WHEEL KIT
----------	--

NATIONWIDE INDUSTRIES®

Phone: (813) 988-2628
nationwideindustries.com • info@nationwideindustries.com



DIGITAL CATALOG



LOCKEY USA™

Phone: (888) 395-0163
lockeyusa.com • info@lockeyusa.com



800-676-7777 www.primesourcebp.com

Nationwide Industries®, LockeyUSA™, and Grip-Rite® products are distributed by Nationwide Industries, LLC. 3505 Cragmont Drive · Tampa, FL 33619 USA. Visit nationwideindustries.com, lockeyusa.com, grip-rite.com, or primesourcebp.com for details, warranty information and limitations. Pricing and availability are subject to change without notice. ©2024 PrimeSource Building Products, Inc. All Rights Reserved.