

# WESTERN WALK GATE KIT

## FOR WOOD APPLICATIONS



SCAN FOR MORE  
INFORMATION

### INSTALLATION INSTRUCTIONS

**NOTE:** HINGES AND STRIKER SHOULD BE POSITIONED OVER THE CROSS BEAMS ON THE BACK OF GATE.

1. Fix gate in desired location.
2. Place hinges at desired location near the top and bottom of the gate and mark the 6 hole locations on each hinge.
3. Drill 12 pilot holes 2" deep with a 7/32" drill.
4. Mount each hinge with 6 included 5/16" x 1-3/4" lag bolts.
5. Test gate operation.
6. Position the latch so that the striker will be centered over the center cross beam and mark the 2 hole locations on the post.
7. Drill 2 pilot holes in the post 2" deep with a 7/32" drill.
8. Mount the latch to the post with 2 included 5/16" x 1-3/4" lag bolts.
9. Position striker and handle over center support beam and insert into latch. Mark the 2 holes in the striker and the 3 holes for the handle.
10. Drill the 5 holes for the striker and handle 2" deep with a 7/32" drill.
11. Mount the striker to the gate with 2 included 5/16" x 1-3/4" lag bolts.
12. Mount the handle to the gate with 2 included 5/16" x 1-3/4" lag bolts in the top 2 holes.
13. Mount the handle to the gate with the included 5/16" - 18 hex bolt with a washer and nut on the back side in the bottom hole.
14. Test latch operation.

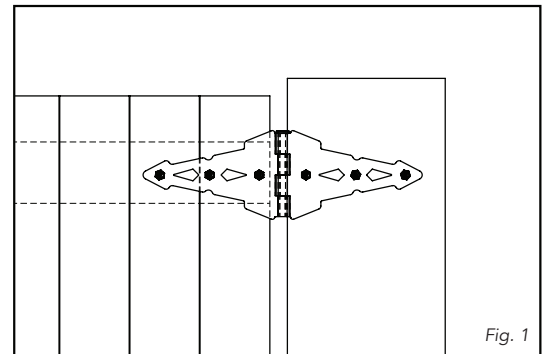


Fig. 1

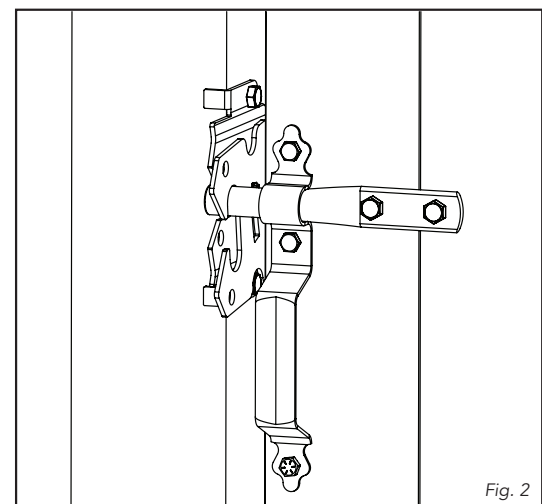


Fig. 2

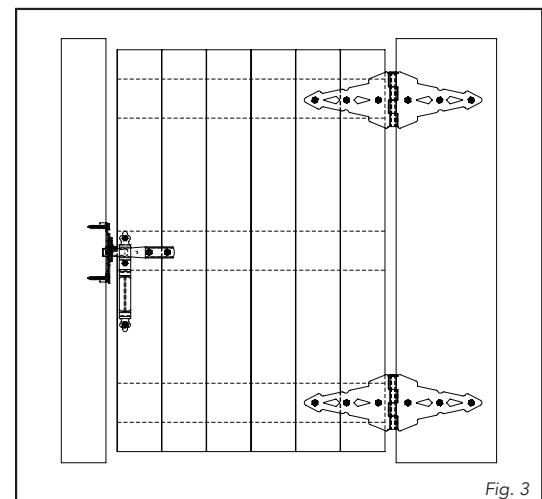


Fig. 3