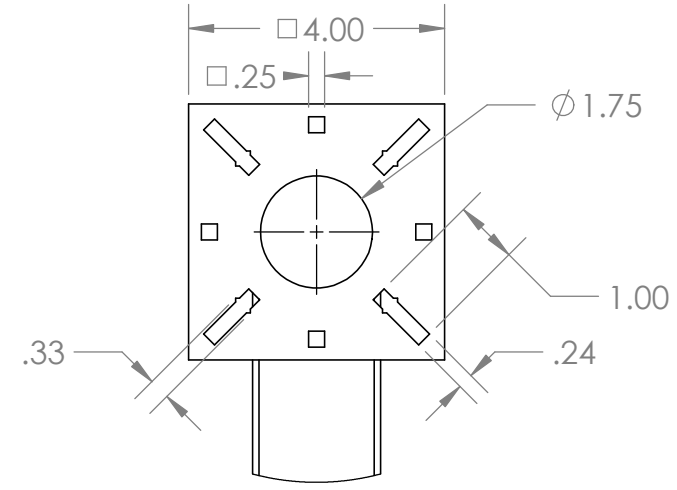
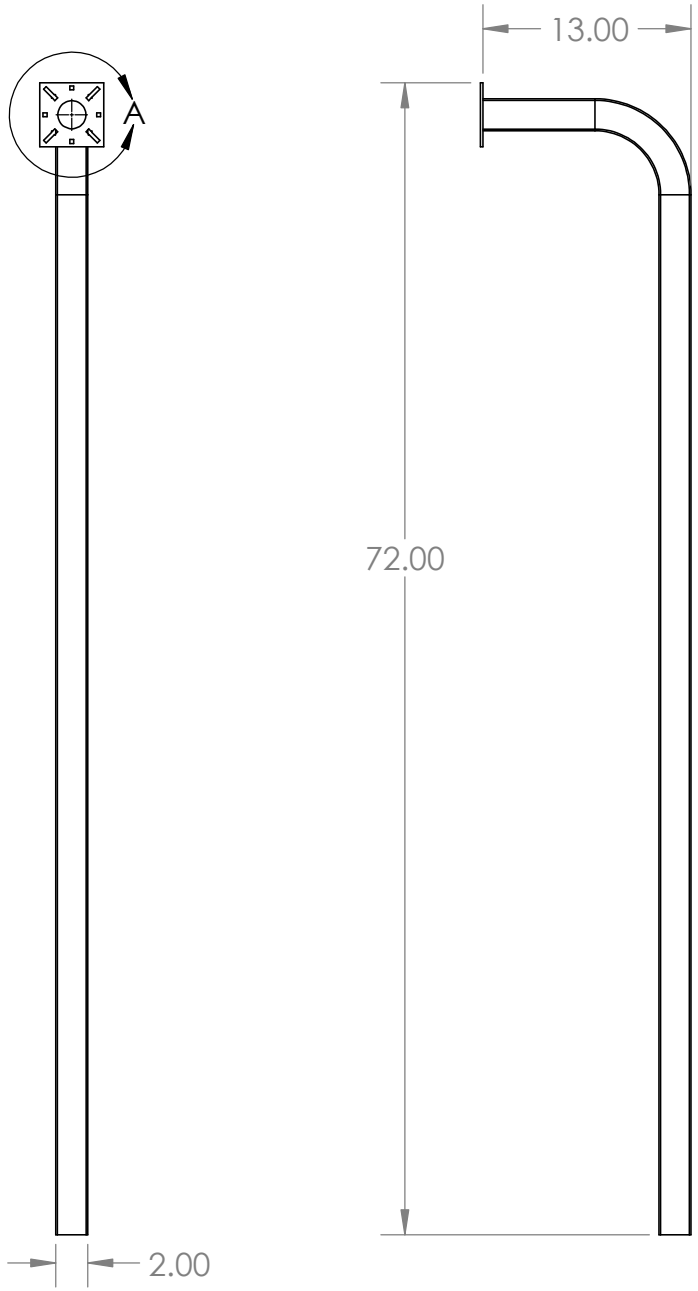
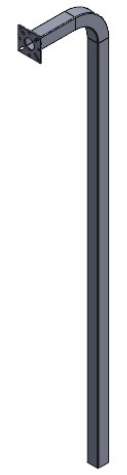


ECR/DCR		REV.		REVISIONS		DATE	APPD
-	-	-	-	DESCRIPTION	INITIAL RELEASE	10-14-2020	-



DETAIL A
SCALE 1 : 3



DIMENSIONS ARE IN INCHES
 TOLERANCES:
 FRACTIONAL $\pm 1/16"$
 ANGULAR: MACH $\pm 1^\circ$ BEND $\pm 1^\circ$
 TWO PLACE DECIMAL ± 0.01
 THREE PLACE DECIMAL ± 0.005

PROPRIETARY AND CONFIDENTIAL
 THE INFORMATION CONTAINED IN THIS
 DRAWING IS THE SOLE PROPERTY OF
 NATIONWIDE INDUSTRIES. ANY
 REPRODUCTION IN PART OR AS A WHOLE
 WITHOUT THE WRITTEN PERMISSION OF
 NATIONWIDE INDUSTRIES IS PROHIBITED.



72" CONTROL ARM MOUNT

SIZE A	DWG. NO. CS--WI-ACA-72-B	REV. -
SCALE: 1:12 WEIGHT:		SHEET 1 OF 1