

PATENTED

## GATE HARDWARE KITS - VINYL 4" & 5" NWKIT-VYNL-4 / NWKIT-VYNL-5



SCAN FOR MORE INFORMATION

### INSTALL CORNERSTONE® C2H300F SELF-CLOSING HINGE

#### HINGE INSTALLATION:

1. First, choose the desired direction of mounting. Applications using larger post and gate frames should mount the hinge so that the vertical adjustment is on the fence post and the horizontal adjustment is on the gate frame (Fig. 1). Applications with smaller gate frames (1.5" - 2") should mount the hinge so that the vertical adjustment is on the gate frame and the horizontal adjustment is on the post (Fig. 2).
2. The brackets should be positioned on the outside surfaces of the posts with the gate in the closed position (Fig. 3). The top edge of the upper hinge should be mounted within 6" of the top surface of the top rail, and the bottom edge of the lower hinge should be mounted within 6" of the lower surface of the lower rail (Fig. 4). In applications where additional hinges are used, they should be evenly spaced between the upper and lower hinges. The mounting brackets with horizontal locking grooves are for the vertically adjustable side of the hinge, while the brackets with the vertical locking grooves are for the horizontally adjustable side of the hinge.
3. Install self-closing hinge assembly to mounting brackets (installed in step 2) and secure with washers and acorn nuts (use hand tools only). Hinge should be positioned as shown so that the locking grooves on the mounting brackets will align with grooves on the back side of the hinge assembly (Fig. 5).

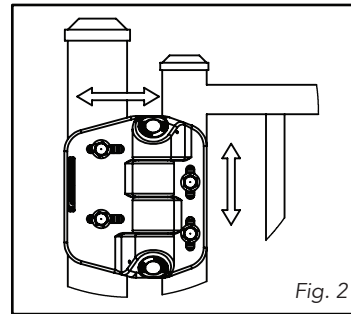


Fig. 2

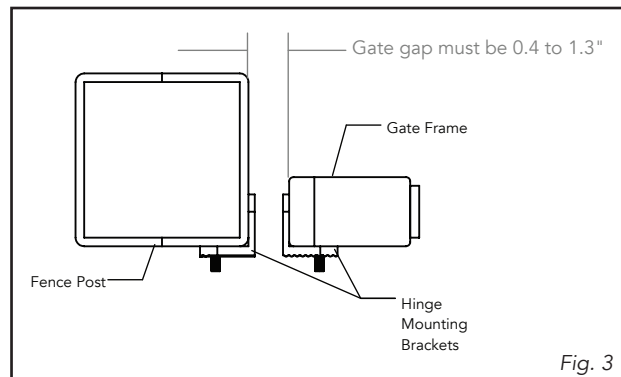


Fig. 3

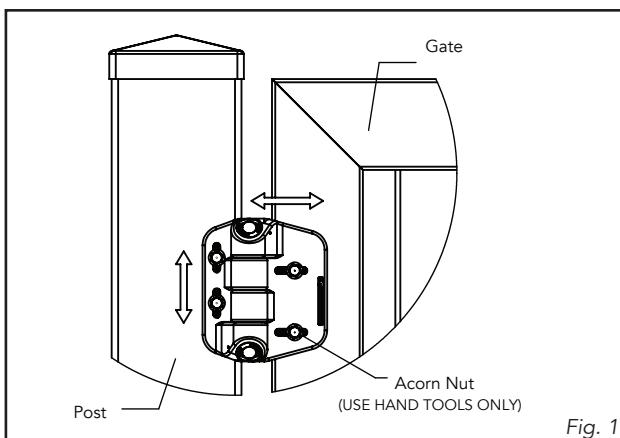


Fig. 1

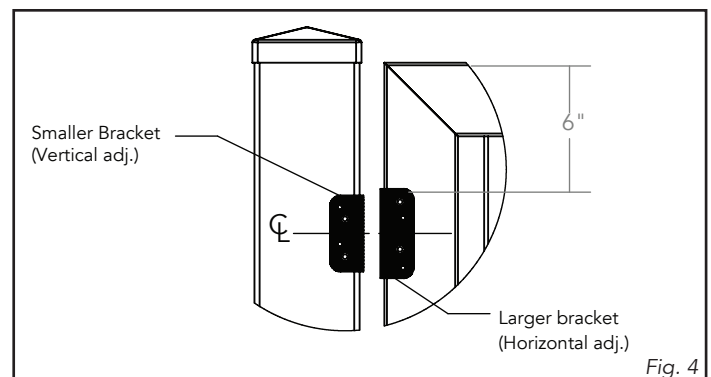


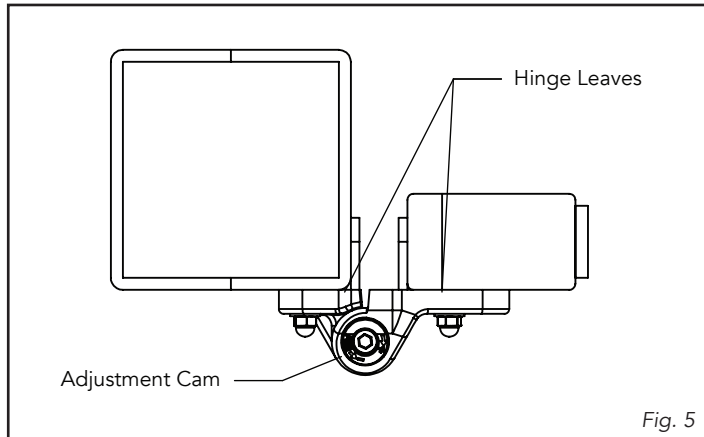
Fig. 4

PATENTED

## GATE HARDWARE KITS - VINYL 4" & 5" NWKIT-VYNL-4 / NWKIT-VYNL-5



SCAN FOR MORE  
INFORMATION



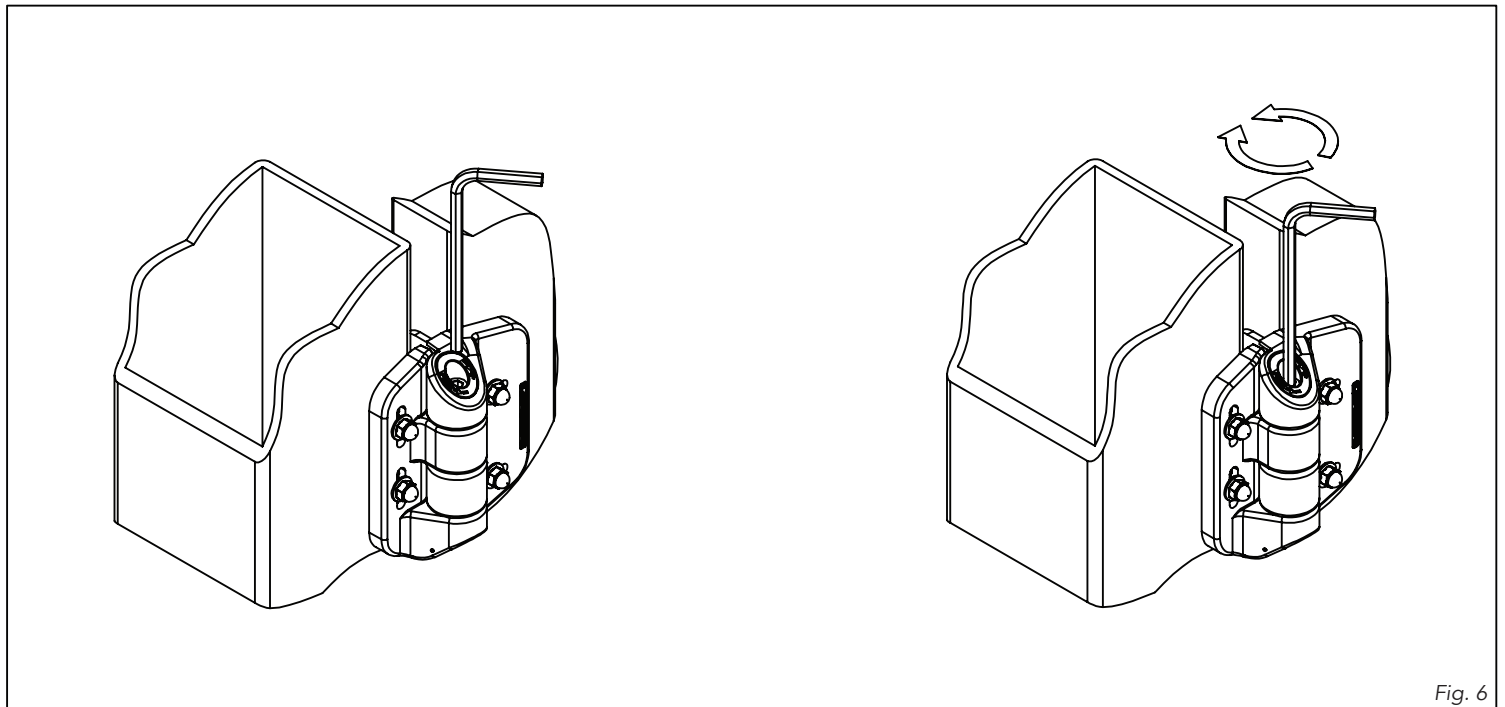
### SPRING TENSION ADJUSTMENT AND MAINTENANCE

1. Insert Allen Wrench into the cam at the end of the hinge barrel.
2. Rotate the cam clockwise to increase spring tension. To decrease spring tension, press the wrench downward, pushing the cam into the barrel, and rotate the cam counter-clockwise. Adjust one hinge at a time in quarter-turn increments.

**Note:** The hinge should be inspected annually, or more frequently if the gate is used often. Spring tension adjustments should be made as needed. The hinge should be regularly lubricated by spraying an oil based lubricant into the area of the cams and barrel.

### WARNING

Spring tension should never be increased more than 2 full turns (8 quarter-turns) from the neutral position.



NWI-052025-555969

PATENTED

## GATE HARDWARE KITS - VINYL 4" & 5" NWKIT-VYNL-4 / NWKIT-VYNL-5

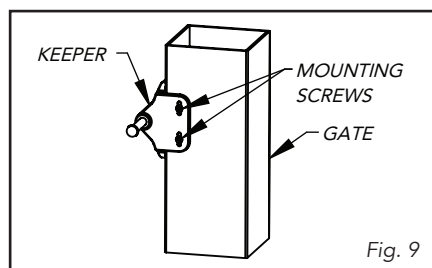
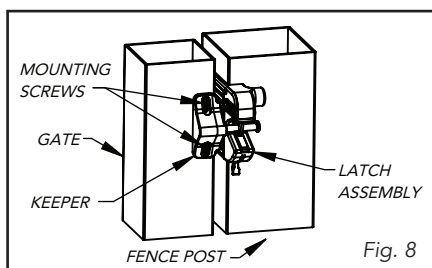
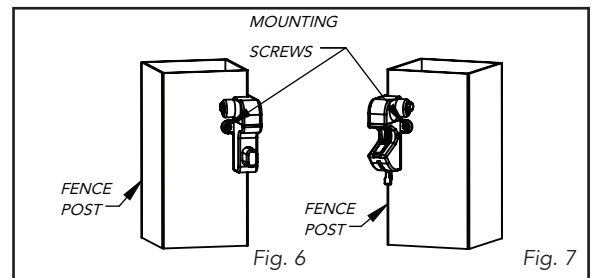
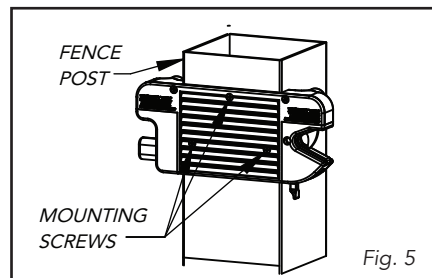
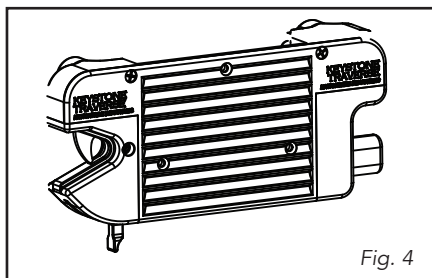
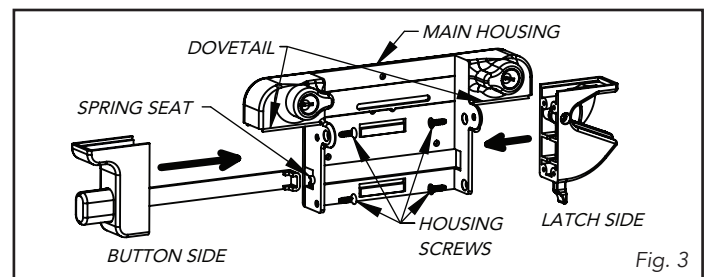
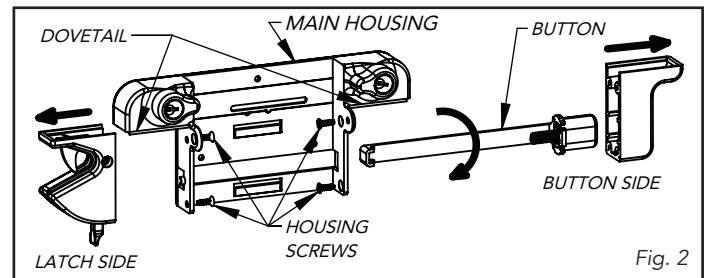
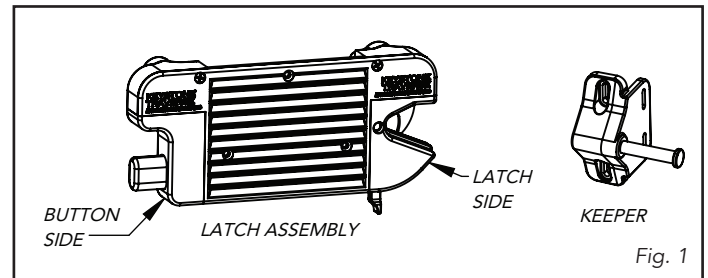


SCAN FOR MORE INFORMATION

### INSTALL KEYSTONE® TRAVERSE KLTRV-400-4D-BK OR KLTRV-500-4D-BK GATE LATCH

#### LATCH INSTALLATION:

1. Determine if the handing of the latch out of the package is correct for the application. When mounted on the fence post opposite the hinges, the latch side of the assembly (Fig. 1) should be on the same side of the fence as the hinges. If the latch needs to be reversed, continue to Step 2. If the latch does not need to be reversed, skip to Step 4.
2. Remove the (4) housing screws (Fig. 2). Slide the latch assembly from the main housing. Slide the button assembly from the main housing. Remove the button from the button housing, rotate the button 180°, and reinstall the button into the button housing, taking care to leave the spring in the button.
3. Slide the latch assembly and button assembly onto the main housing (Fig. 3) on the opposite sides, taking care to align the dovetails on the housings with the dovetails on the main housing. The button should be inserted through the hole in the main housing, and the spring should be aligned with the spring seat. Reinstall the (4) housing screws. Check the completed assembly (Fig. 4) to make sure it is now properly handed for the application (see Step 1).
4. Hold latch at desired height on the fence post. Install (3) flat head mounting screws into the side of the latch (Fig. 5). Install (1) flat head mounting screw in button housing (Fig. 6). Install (1) flat head screw into latch housing (Fig. 7).
5. With the gate closed, hold the keeper to the gate, align to the latch assembly, and install (2) pan head mounting screws (Fig. 8). Open the gate, and install (2) pan head mounting screws (Fig. 9).



NWI-052025-555969