

PATENTED

GATE HARDWARE KITS - ORNAMENTAL POOL KIT NWKIT-ORN-POOL



LEARN MORE

INSTALL KEYSTONE® HINGE CH090-4D-BK SELF-CLOSING ORNAMENTAL HINGE

HINGE INSTALLATION:

The hinge should be mounted (Fig. 1). The leaves should be positioned on the outside surface of the posts when the gate is closed. The top surface of the upper hinge should be mounted within 6" of the top surface of the top rail, and the bottom surface of the lower hinge should be mounted within 6" of the lower surface of the lower rail (Fig. 2).

Note: The hinge should be inspected annually, or more frequently if the gate is used often. Spring tension adjustments should be made as needed. The hinge should be regularly lubricated by spraying an oil-based lubricant into the area of the cams and barrel.

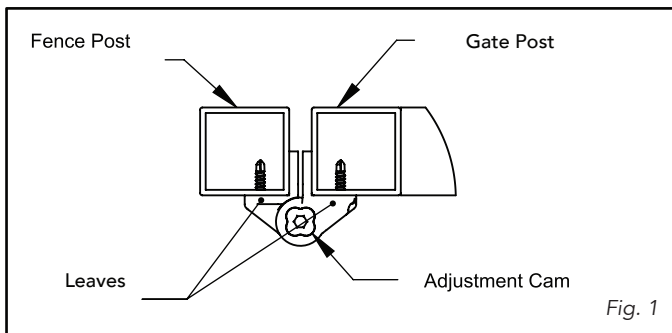


Fig. 1

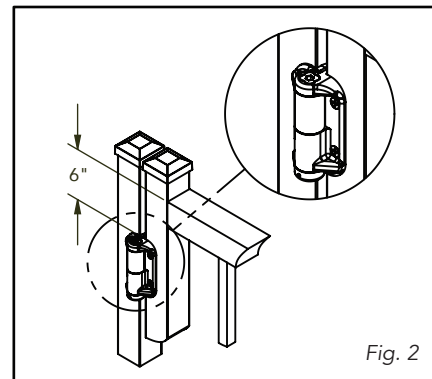


Fig. 2

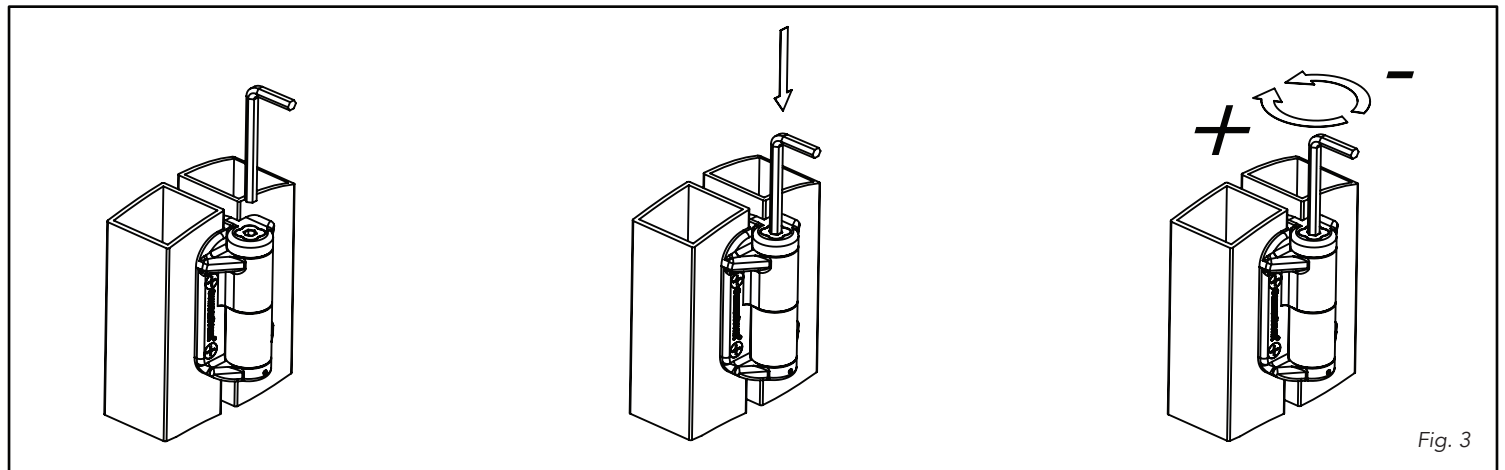


Fig. 3

SPRING TENSION ADJUSTMENT AND MAINTENANCE

1. Fix gate in desired location. Insert Allen Wrench into the cam at the end of the hinge barrel.
2. Press the wrench downward, pushing the cam into the barrel.
3. Rotate the cam clockwise to increase spring tension, and counter-clockwise to reduce spring tension. Adjust one hinge at a time in quarter-turn increments.

WARNING

Spring tension should never be increased more than 2 full turns (8 quarter-turns) from the neutral position.

NWI-052024-554566

PATENTED

GATE HARDWARE KITS - ORNAMENTAL POOL KIT NWKIT-ORN-POOL



LEARN MORE

INSTALL TRIDENT LATCH TRIDENT20-BK MAGNETIC PULL LATCH LATCH INSTALLATION

1. Determine mounting height based upon local code requirements.
2. Install the UPPER BRACKET as near to the top of the fence post as possible using (3) flat head screws (Fig.2).
3. Install lower bracket.
 - Slide the latch body down over the upper bracket (Fig.3). Use a measuring device to locate the top of the latch at the PROPER HEIGHT (Fig.1). "REFER TO ALL LOCAL BUILDING CODES".
 - Temporarily attach the lower bracket by holding it against the post and sliding it up into the latch body (Fig.4). Center the mark on the latch body between the two marks on the lower bracket (Fig.5). With the latch at the PROPER HEIGHT, mark the lower bracket location on the post.
 - Remove latch body and attach the lower bracket with the (4) supplied flat head mounting screws.
4. Install Latch Body.
 - Re-install latch body by sliding over both upper and lower brackets.
 - Position at proper height and secure with (1) #8 flat head screw (Fig.6).

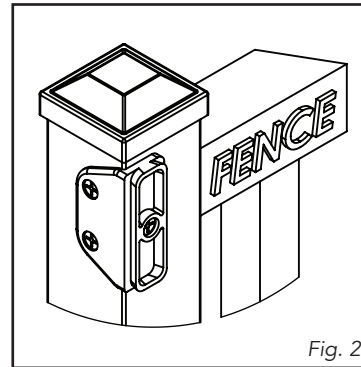
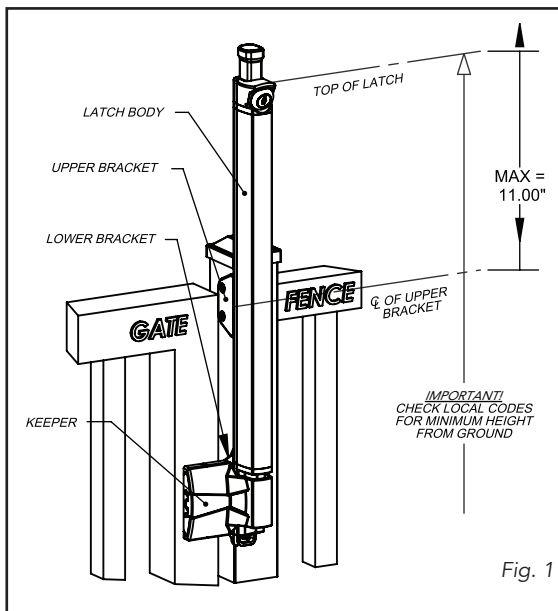


Fig. 2

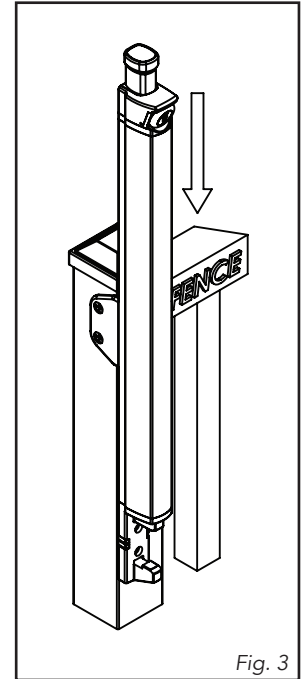


Fig. 3

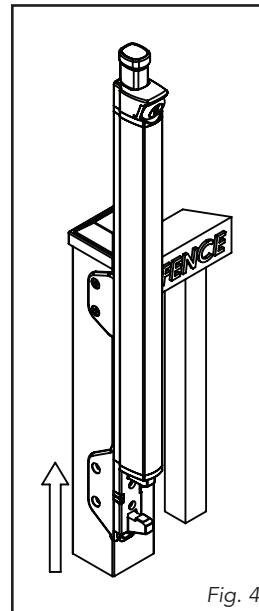


Fig. 4

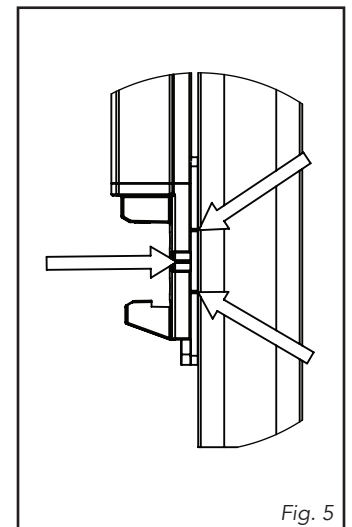


Fig. 5

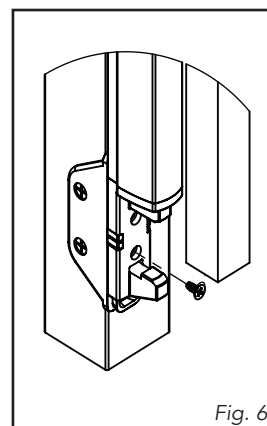


Fig. 6

PATENTED

GATE HARDWARE KITS - ORNAMENTAL POOL KIT NWKIT-ORN-POOL



LEARN MORE

5. Install Keeper Assembly.

- Adjust keeper assembly (Fig.12) to align with latch body (Fig.7). Maximum operational adjustment has been reached when the line on the keeper assembly reaches the gate face (Fig. 11).
- Position the mark on the keeper assembly between the two outer marks on the latch body (Fig.8). The ideal location is closer to the top mark.
- Secure keeper assembly to gate in this position using (2) Flat head screws as shown in (Fig.9).
- Open gate and adjust keeper assembly out to expose the remaining two screw locations (Fig.10). Install (2) flat head screws then return keeper assembly back to proper alignment (Fig.7).

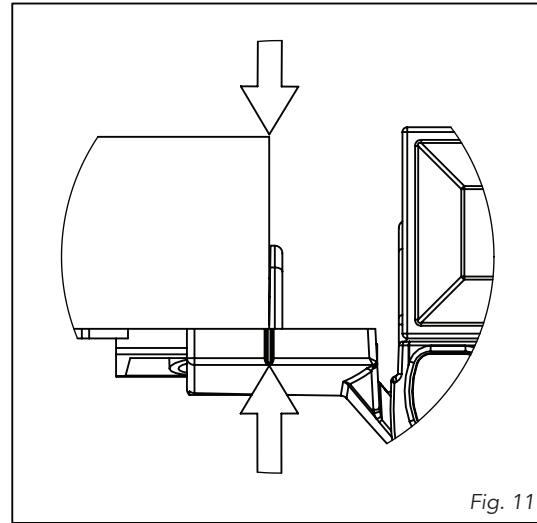


Fig. 11

6. Final Adjustments.

- Check for proper operation. If any final adjustments are needed, use the horizontal adjustment screw located in the keeper assembly (Fig.12), and/or the vertical adjustment holes located in the lower bracket (Fig.13).

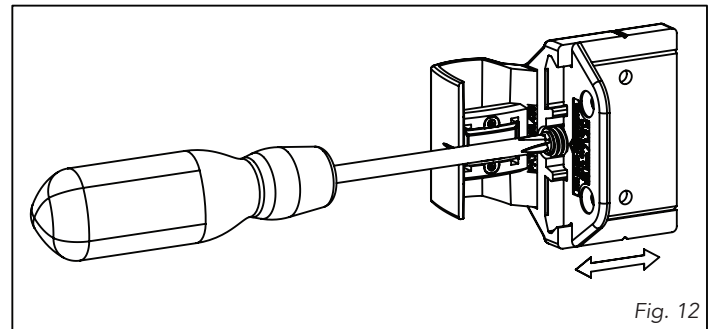


Fig. 12

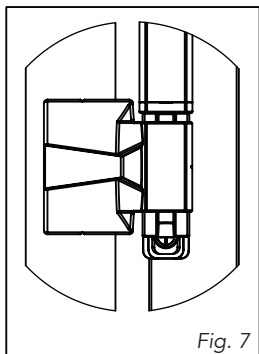


Fig. 7

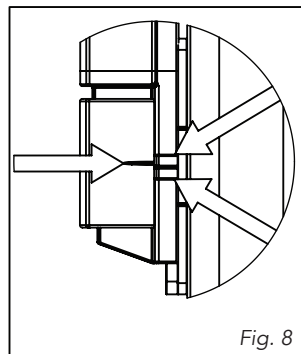


Fig. 8

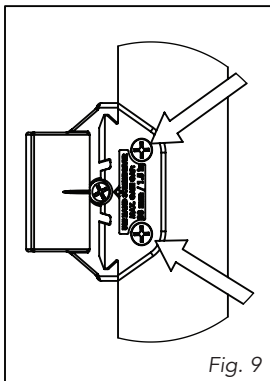


Fig. 9

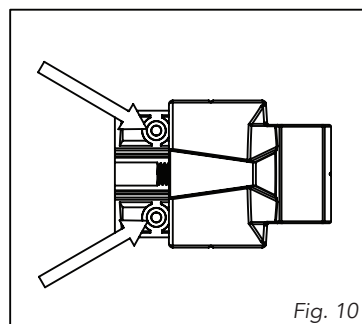


Fig. 10

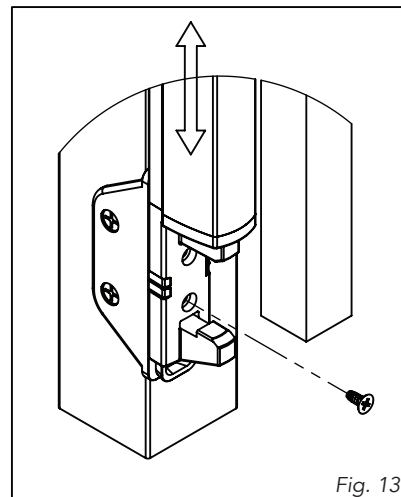


Fig. 13

NWI-052024-554566