

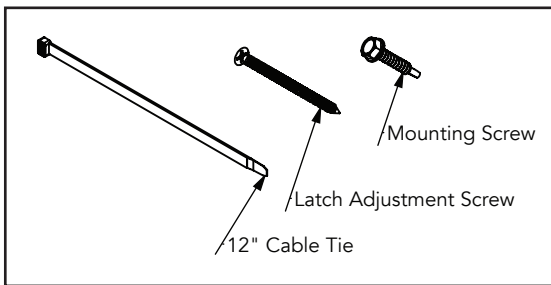
CL-7240 ZIP LATCH®



SCAN FOR MORE INFORMATION

PARTS LIST (INCLUDED, FIG. 2):

- Latch Assembly
- Tube Mount
- Latch Mount
- Keeper
- Mounting Hardware Kit:
 - (6) Heavy Duty 12" Cable Ties
 - (4) Mounting Screws
 - (1) Latch Adjustment Screw

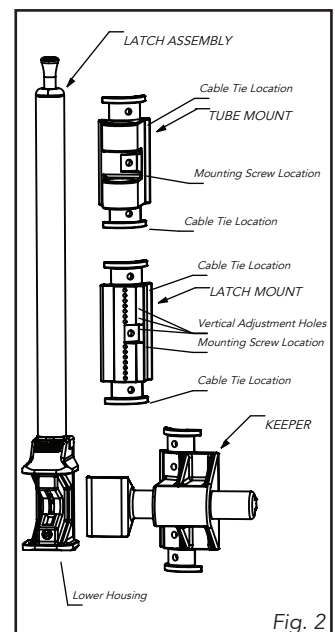
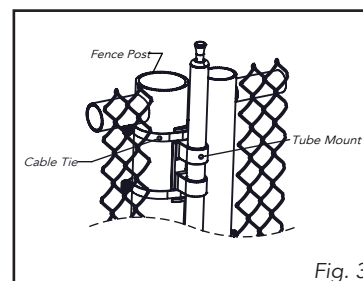
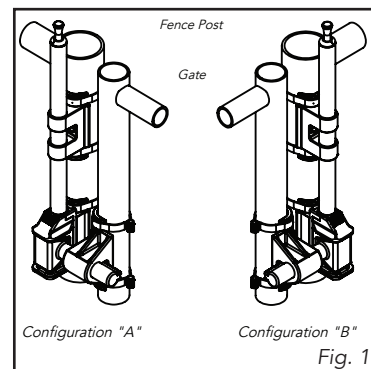


INSTALLATION

1. Choose correct configuration for latch on post (Fig. 1).
2. Determine mounting height based upon local code requirements.
3. Install the tube mount using (2) cable ties (do not fully tighten cable ties to allow adjustment if needed) mount as near to the top of the fence post as possible (Fig. 3). Do not use mounting screws yet.
4. Attach the latch mount by holding it against the post and securing it with (2) cable ties (do not fully tighten cable ties to allow adjustment). Do not use mounting screws yet.
5. Mount the latch assembly by sliding it into the tube mount and onto the latch mount (Fig. 4).
6. Using a measuring device, locate the top of the latch at the proper height. Refer to all local building codes. Ensure that the latch is at the proper height by adjusting the tube mount and latch mount, and mark the correct locations of both the tube mount and the latch mount.
7. Tighten up all cable ties to prevent ANY movement, then carefully remove the latch assembly.

8. Check to make sure the tube mount and latch mount are still aligned with the marks from step 6. Using (2) mounting screws, secure the tube mount and the latch mount. The screw hole locations are shown in (Fig. 2).
9. Reinstall the latch assembly by sliding it into the tube mount and onto the latch mount (Fig. 4).
10. Final adjustments:

With the gate closed, position keeper and align with latch body (Fig. 5). Secure keeper assembly to gate with (2) cable ties and (2) mounting screws. The screw hole locations are shown in (Fig. 2).
11. Check for proper operation. If any adjustments are needed, use the horizontal adjustment screw located in the keeper (Fig. 6) use only hand screwdriver, (do not use a powered screwdriver), and / or the vertical adjustment holes located in the latch mount (Fig. 2). Secure the latch using (1) latch adjustment screw (Fig. 7).



CL-7240 ZIP LATCH®



SCAN FOR MORE
INFORMATION

Note: swimming pool fences, gates and latches cannot be substituted for adult supervision. If using this latch on a swimming pool gate, consult all appropriate local building codes for compliance.

INSTALLING LOCK KIT (OPTIONAL)

Assemble the lock kit (Fig. 8). Slide the lock kit over the latch tube. Align the holes of the lock kit and the main latch body, and secure with a tube screw (Fig. 9).

MOUNTING

This latch may also be mounted using only screws (not provided) in the holes located in the tube mount, latch mount, and keeper, where cable ties are normally located (Fig. 10). Note: cable ties and optional screw locations cannot be used at the same time.

