

**NATIONWIDE  
INDUSTRIES**

**FENCE PRO'S  
#1 CHOICE**

PATENTED

**CORNERSTONE<sup>®</sup> CH100N & CH090  
SELF-CLOSING ORNAMENTAL HINGE**



CH100N



CH090

SCAN FOR MORE  
INFORMATION

**HINGE MOUNTING:**

The hinge should be mounted (Fig. 1). The leaves should be positioned on the outside surface of the posts when the gate is closed. The top surface of the upper hinge should be mounted within 6" of the top surface of the top rail, and the bottom surface of the lower hinge should be mounted within 6" of the lower surface of the lower rail (Fig. 2).

**Note:** The hinge should be inspected annually, or more frequently if the gate is used often. Spring tension adjustments should be made as needed. The hinge should be regularly lubricated by spraying an oil-based lubricant into the area of the cams and barrel.

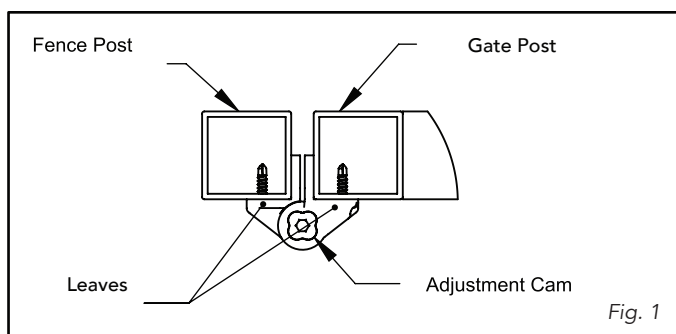


Fig. 1

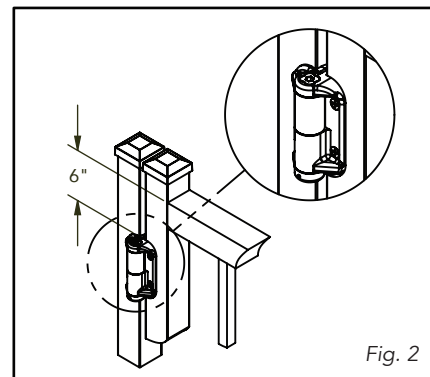


Fig. 2

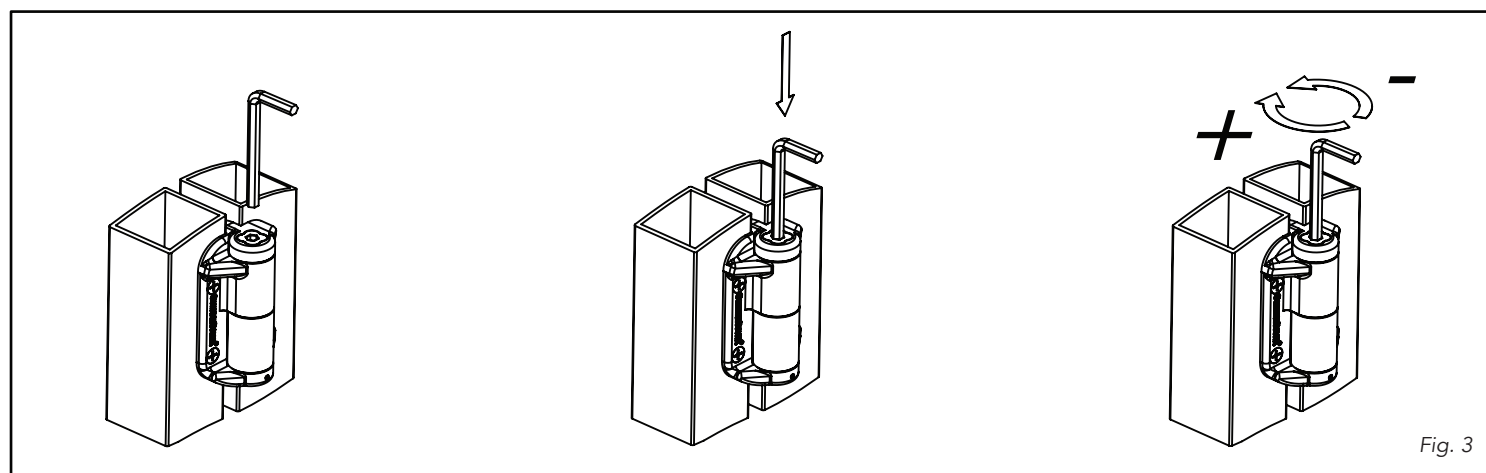


Fig. 3

**SPRING TENSION ADJUSTMENT AND MAINTENANCE**

1. Fix gate in desired location. Insert Allen Wrench into the cam at the end of the hinge barrel.
2. Press the wrench downward, pushing the cam into the barrel.
3. Rotate the cam clockwise to increase spring tension, and counter-clockwise to reduce spring tension. Adjust one hinge at a time in quarter-turn increments.

**WARNING**

Spring tension should never be increased more than 2 full turns (8 quarter-turns) from the neutral position.